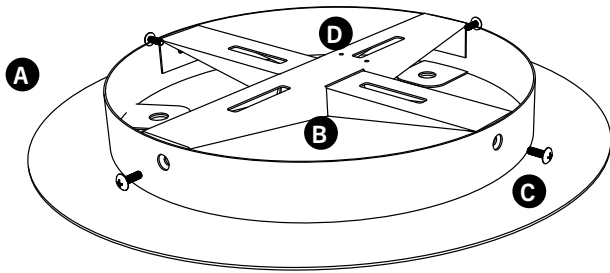
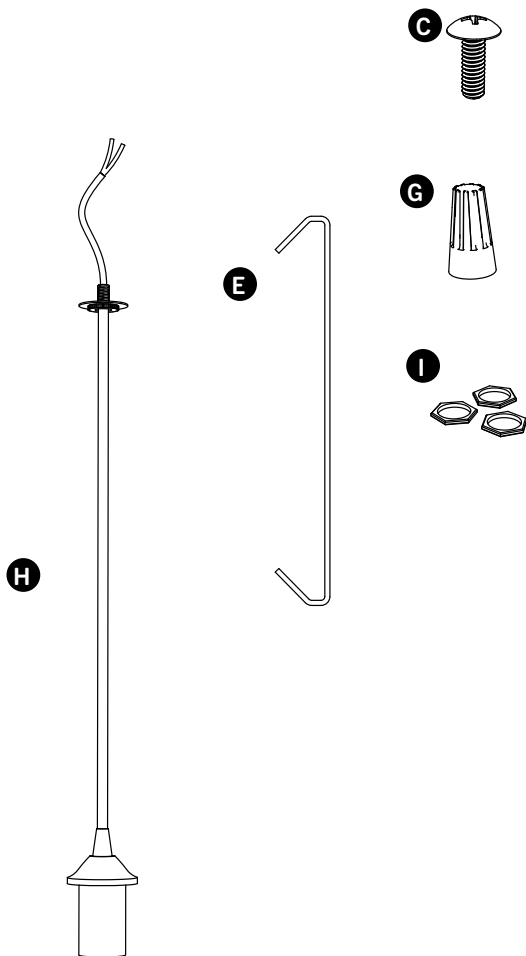


3 LIGHT ROUND CANOPY



THIS PRODUCT INCLUDES

- A** CANOPY ASSEMBLY
- B** CROSS-BRACKET (ASSEMBLED)
- C** ASSEMBLY SCREWS(x4 ASSEMBLED)
- D** GROUND WIRE SCREWS (x2 ASSEMBLED)
- E** WIRE HANGING HOOKS
- F** MOUNTING SCREWS (x2)
- G** WIRE NUTS (x4)
- H** PENDANT DROP ROD ASSEMBLY
- I** HEX NUTS



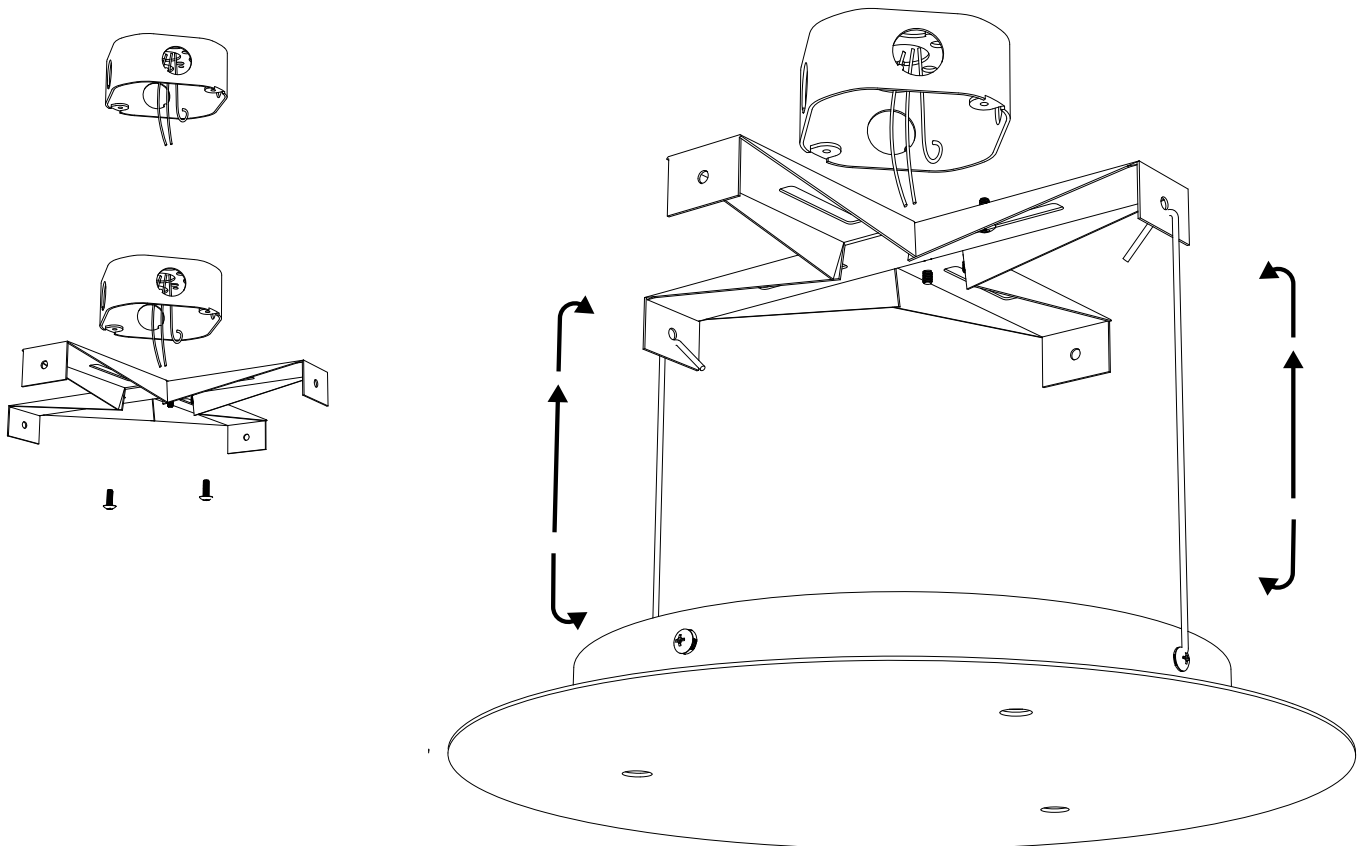
RECOMMENDED TOOLS & MATERIALS

- TALL STEP LADDER
- TAPE MEASURE
- UTILITY KNIFE
- WIRE STRIPPER
- PHILLIPS SCREWDRIVER
- SMALL BLADE SCREWDRIVER
- MARKER
- PLAIN AND LONG NOSE PLIERS
- ADJUSTABLE WRENCH

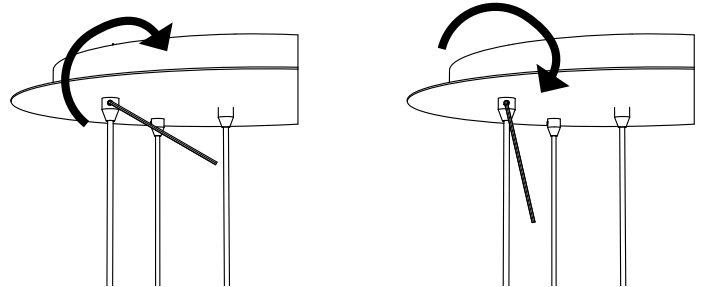
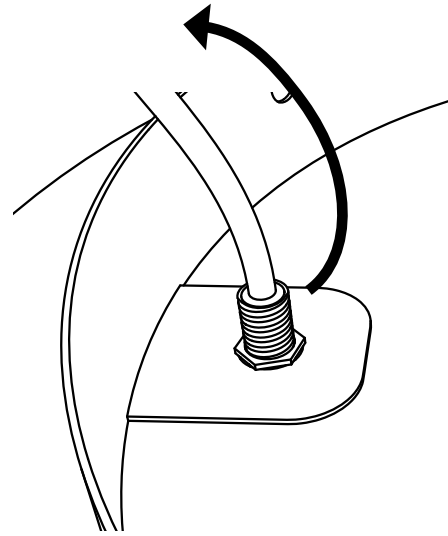
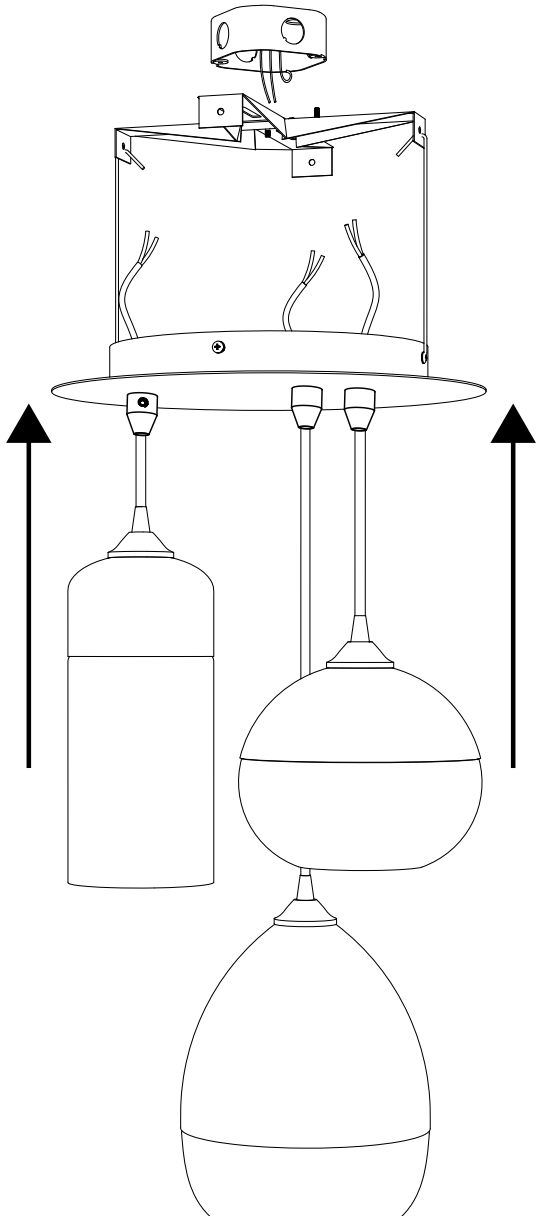
IT IS STRONGLY RECOMMENDED THAT INSTALLATION OF THIS PRODUCT IS DONE BY A PROFESSIONAL. THESE INSTRUCTIONS ARE GENERAL INSTRUCTIONS FOR RIGID DROP STEM PENDANTS - ACUTAL PRODUCT MAY VARY SLIGHTLY ACORDING TO YOUR ORDER.



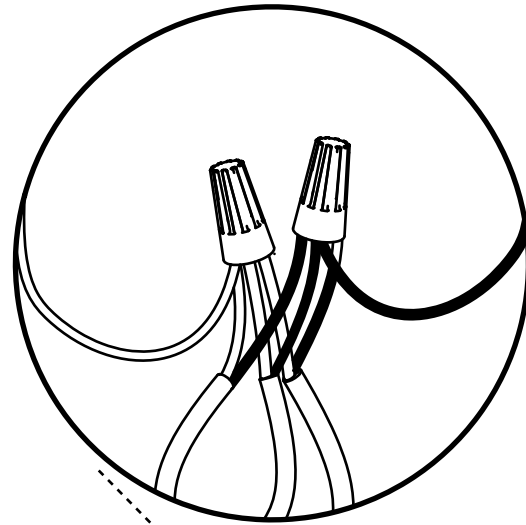
DRAWINGS ARE NOT TO SCALE. IT IS STRONGLY RECOMMENDED THAT INSTALLATION OF THIS PRODUCT IS DONE BY A PROFESSIONAL. DRAWINGS ARE FOR REFERENCE ONLY AND ARE SUBJECT TO PRODUCT REVISIONS. J-BOX AND J-BOX SCREWS ARE NOT INCLUDED. DO NOT BEGIN INSTALL UNTIL ALL POWER TO INSTALL SITE HAS BEEN TURNED OFF AT THE CIRCUIT BREAKER!



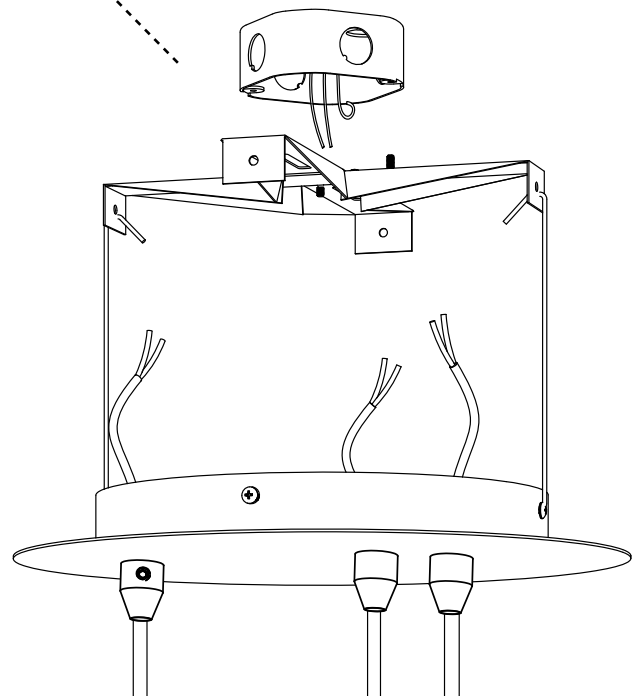
1. Affix your electrical box's (bare) ground wire to a metal component to effectively ground the unit. For metal electrical boxes, screw on the (bare) ground wire directly to the electrical box. For plastic electrical boxes, after attaching the Mounting Bracket to the ceiling, screw the ground wire to the canopy's mounting bracket with the provided ground wire screws.
2. Using the provided mounting screws, screw the cross-bracket to the electrical box through two of the slots in the cross-bracket. Tighten the screws enough to pull the ends of the cross-bracket tight against the ceiling.
3. Use the two provided wire hanging hooks to hang the canopy cover plate from the cross-bracket. Put the bottom of the hooks into the two triangular holes in the cover plate.



4. Locate the raw cord ends on the pendants included.
5. Feed pendant cords up through conical strain reliefs, taking care not to catch any fabric if applicable. Adjust pendant to approximate desired length.
6. Carefully cut and strip back cord ends. Tighten strain relief set screw onto cord using appropriate hex key.



7. Twist the three black pendant cord wires together with the black(hot) wire from your electrical box. Twist on a wire nut to hold the wires together.
8. Twist the three white pendant cord wires together with the white (neutral) wire from your electrical box. Twist on a wire nut to hold wires together.





9. Remove the wire hanging hooks while lifting the cover plate up and around the four tabs on the cross-bracket. Make sure all wires are tucked safely inside. Align the slotted holes on the upper ring of the ceiling plate with the holes in the cross-bracket. Use the four assembly screws to join the two components together. Do not overtighten.
10. Before testing lights, be sure to turn on the electrical power to the light at the circuit breaker.

