

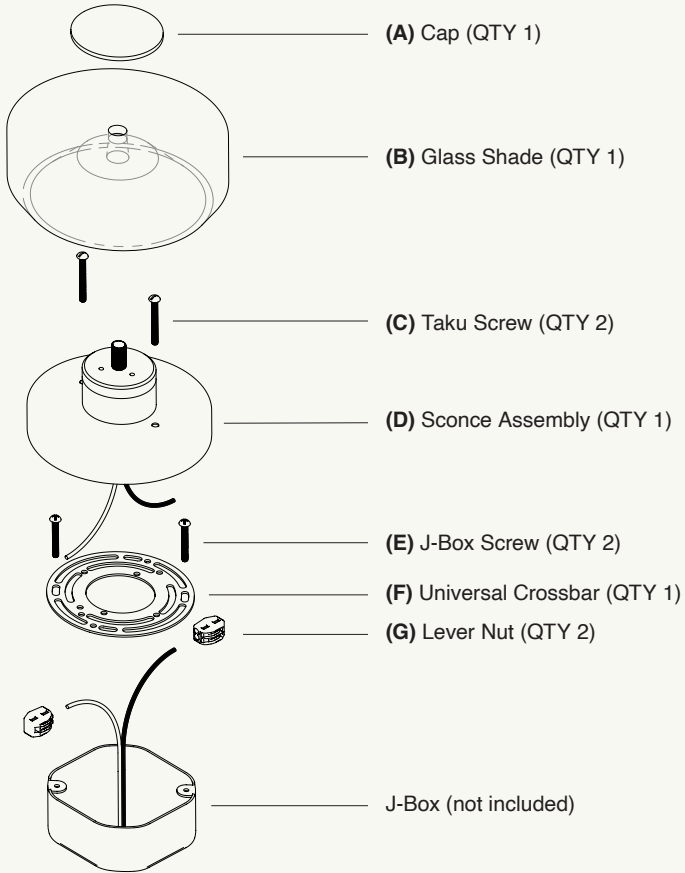
HENNEPINMADE

INSTALLATION INSTRUCTIONS

# Taku Flush Mount



This light fixture comes fully assembled to protect components in shipping. Some disassembly is required for installation.

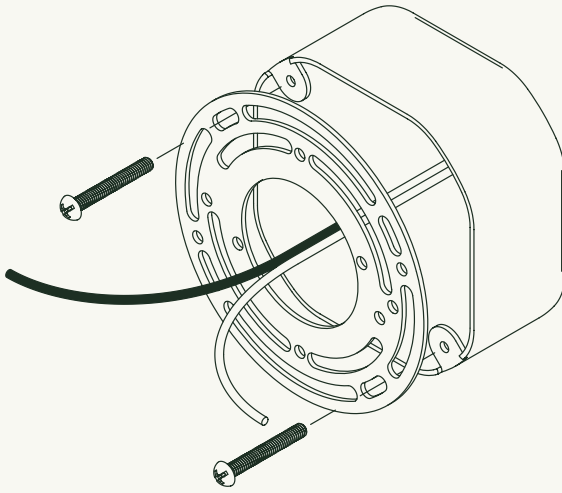


Please consult a licensed electrician before installation.  
Incorrect installation or failure to follow care instructions will void warranty.

**DANGER: ELECTRIC SHOCK RISK.**

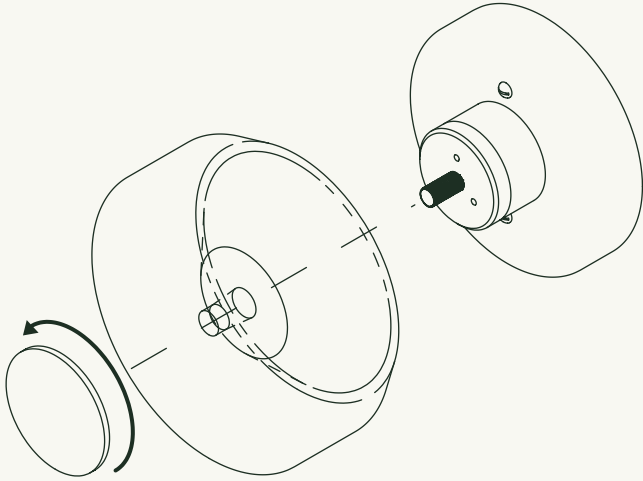
Turn off electrical power before beginning installation.

H E N N E P I N M A D E



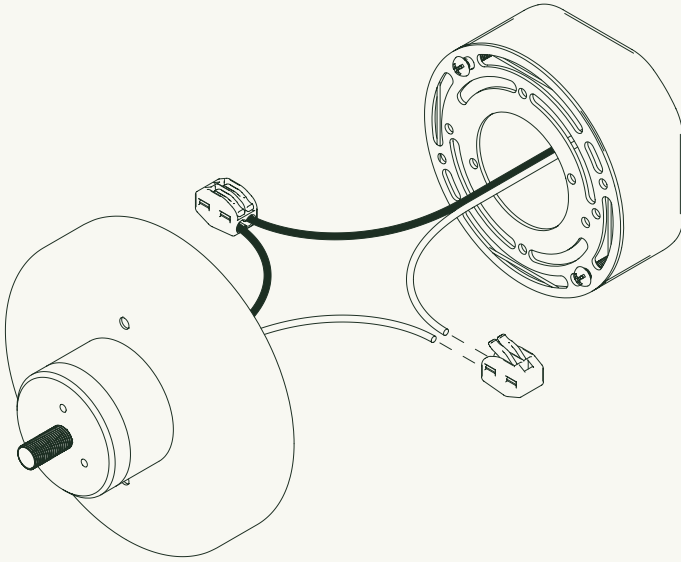
### STEP 1

Attach Universal Crossbar (F) to J-Box using J-Box Screws (E).  
If a Ground Wire is present in the J-Box, attach it to the Universal  
Crossbar (F) using the green Ground Screw.



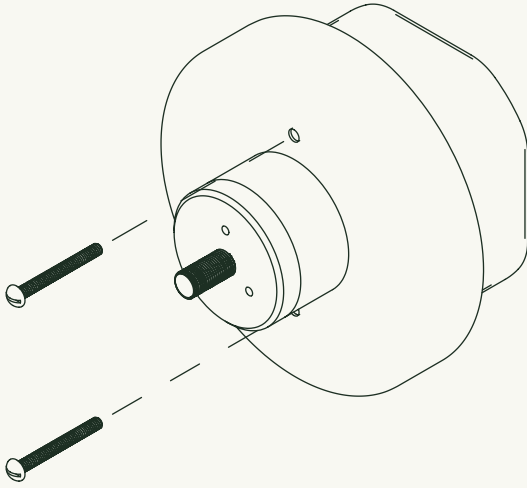
## STEP 2

Unscrew Cap **(A)** and slide Glass Shade **(B)** off of Sconce Assembly **(D)**.



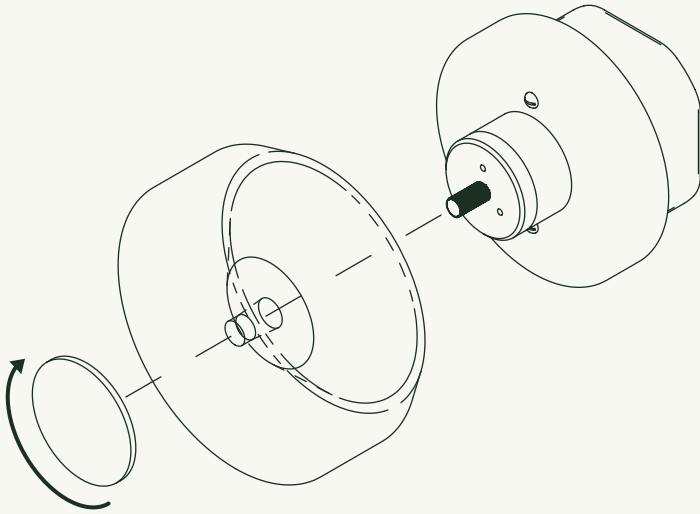
### STEP 3

Using Lever Nuts (**G**), connect Sconce Assembly (**D**) to 120VAC power.



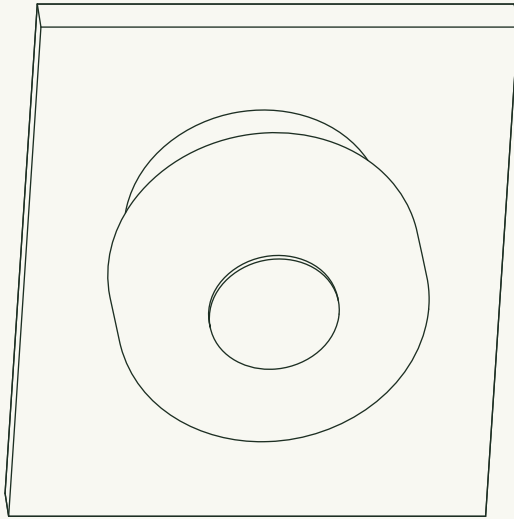
#### **STEP 4**

Tuck wires into J-Box and attach Sconce Assembly (**D**) to Universal Crossbar (**F**) with Taku Screws (**C**).



**STEP 5**

Slide Glass Shade (B) onto Sconce Assembly (D) and fasten with Cap (A).



**STEP 6**

Return power to circuit.