

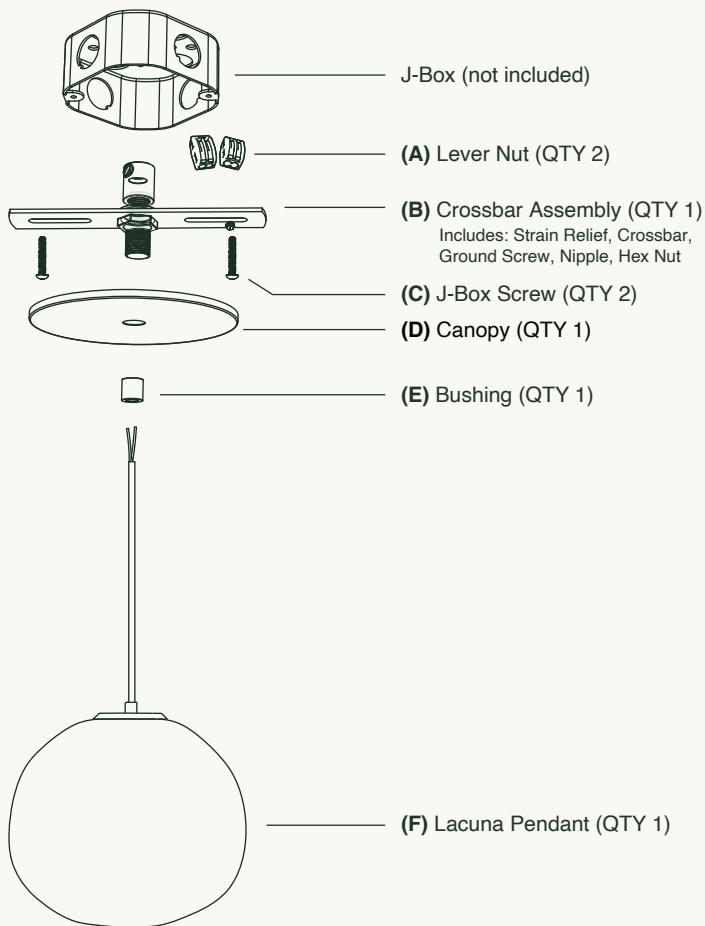
H E N N E P I N M A D E

INSTALLATION INSTRUCTIONS

Lacuna Pendant



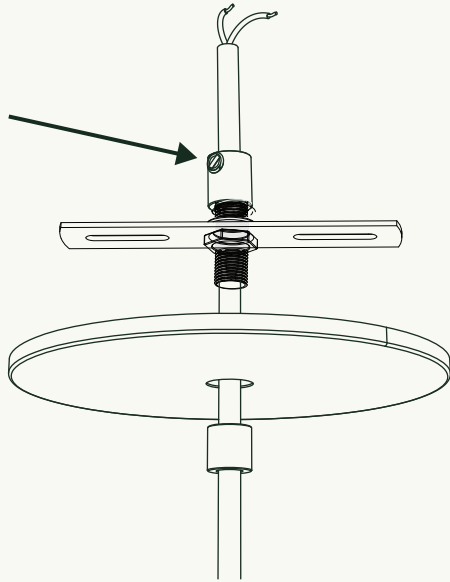
Corded



Please consult a licensed electrician before installation.
Incorrect installation or failure to follow care instructions will void warranty.

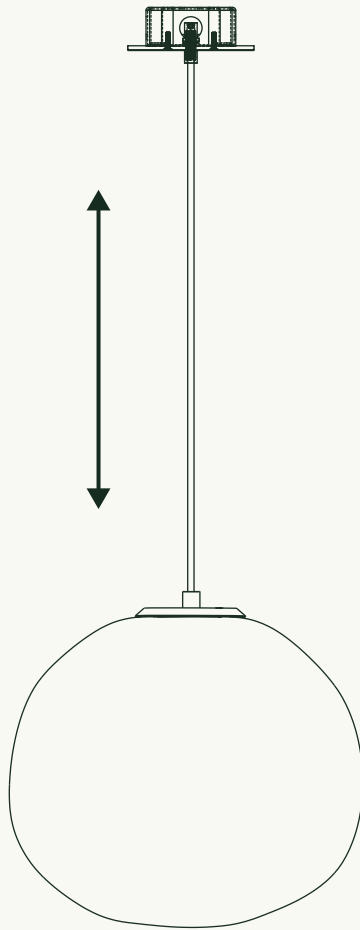
DANGER: ELECTRIC SHOCK RISK.

Turn off electrical power before beginning installation.



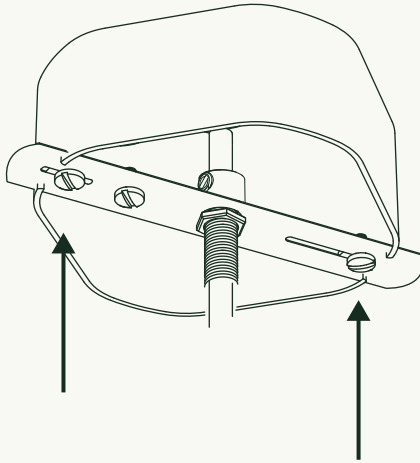
STEP 1

Thread pendant cord through Bushing (E), Canopy (D), and Crossbar Assembly (B) in that order. Be careful not to snag the cord on these items – the cord will fray. Loosen strain relief set screw at the top of the Crossbar Assembly to allow the cord to pass by.



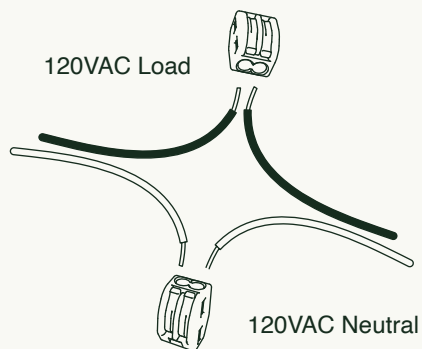
STEP 2

Set desired cord height by tightening the strain relief set screw at the top of the Crossbar Assembly (**B**) back down against the cord.



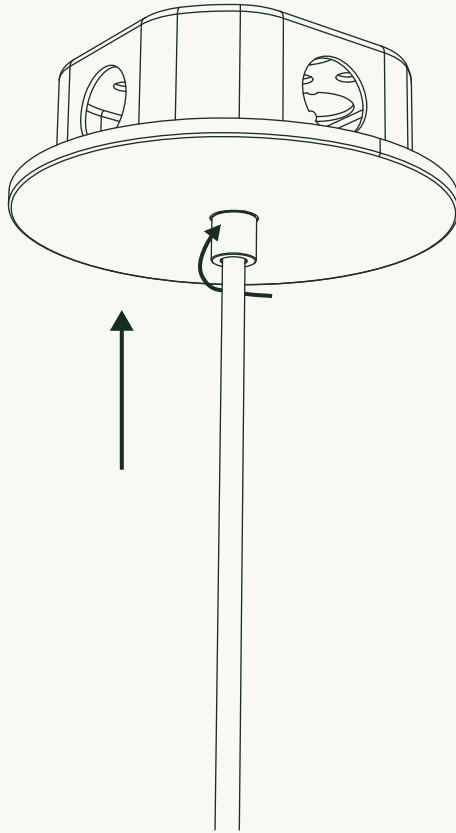
STEP 3

Fasten Crossbar Assembly **(B)** to J-Box with J-Box Screws **(C)**.



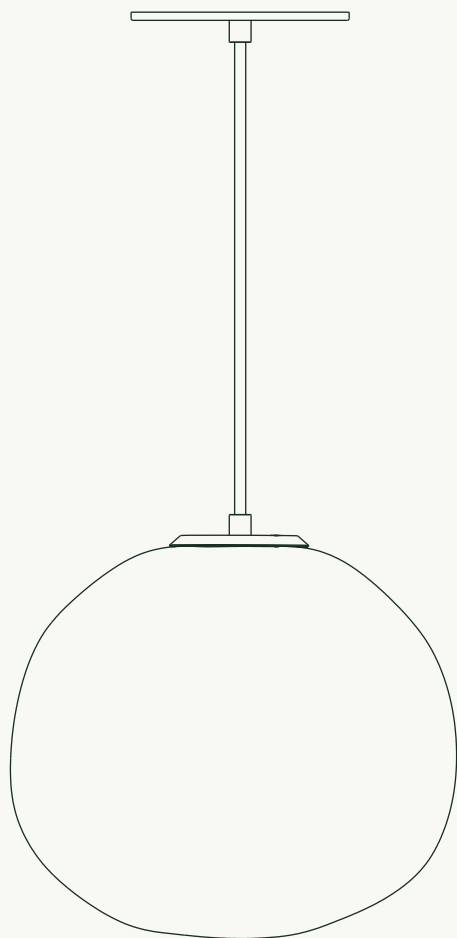
STEP 4

Using Lever Nuts (**A**), connect pendant wires to 120VAC power. If a Ground Wire is present in the J-Box, attach it to the Crossbar using the green Ground Screw.



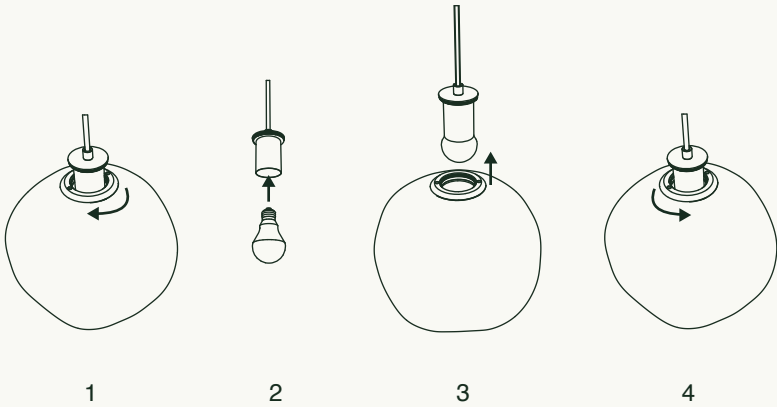
STEP 5

Carefully slide Canopy **(D)** and Bushing **(E)** up to Crossbar Assembly **(B)** without snagging cord. Thread Bushing onto the Crossbar Assembly to secure the Canopy snug against the mounting surface.



STEP 6

Return power to circuit.



CHANGING THE LIGHT BULB

DANGER: ELECTRIC SHOCK RISK.

Turn off electrical power before beginning installation.

1. Unthread the glass shade from the socket assembly while holding the socket assembly stationary. Do not allow the cord to twist.
2. Replace the light bulb in the E26 threaded socket.
3. Re-install the glass shade by threading it onto the socket assembly until seated. **STOP THREADING ONCE THE SHADE IS SEATED. OVERTIGHTENING THE SHADE WILL CAUSE THREADS TO SEIZE AND LOCK UP.**

Find replacement bulbs at: www.hennepinmade.com/parts