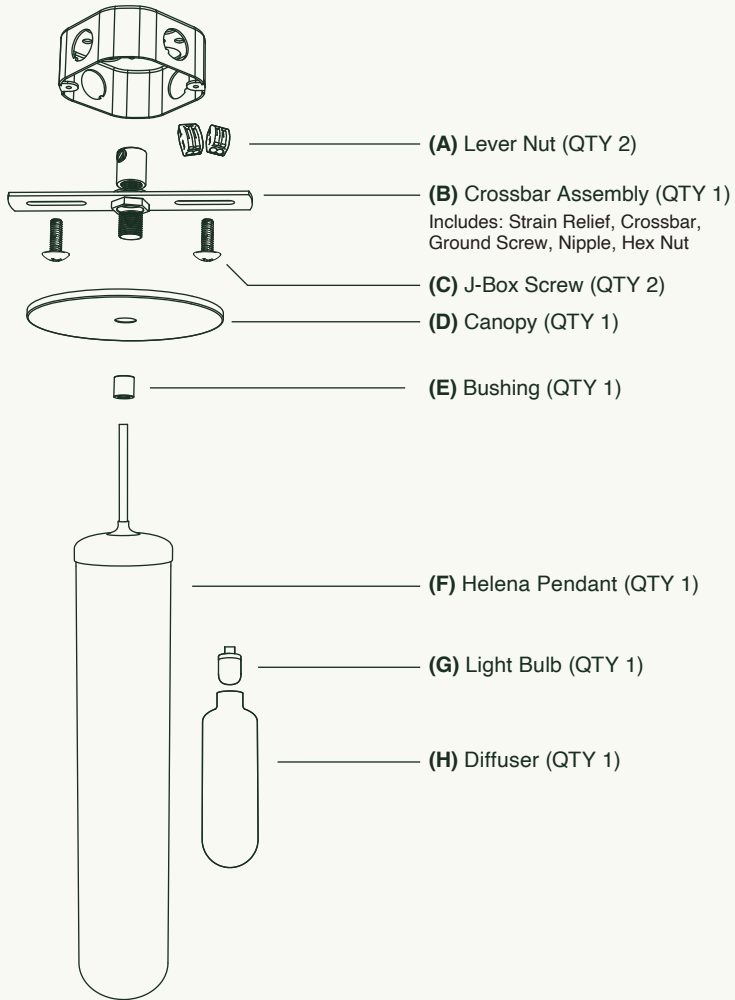


HENNEPINMADE

INSTALLATION INSTRUCTIONS

Helena Pendant

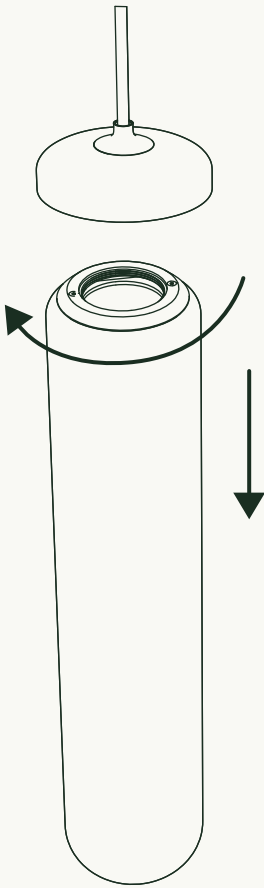




Please consult a licensed electrician before installation.
Incorrect installation or failure to follow care instructions will void warranty.

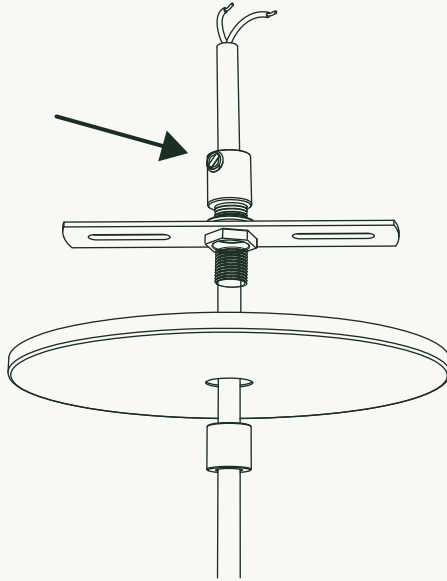
DANGER: ELECTRIC SHOCK RISK.

Turn off electrical power before beginning installation.



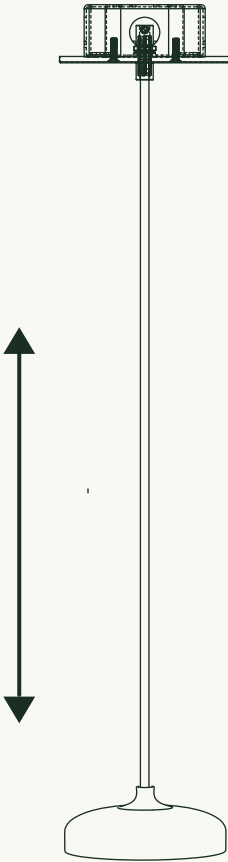
STEP 1

Untread the glass shade from the socket assembly while holding the socket assembly stationary. Do not allow the cord to twist.



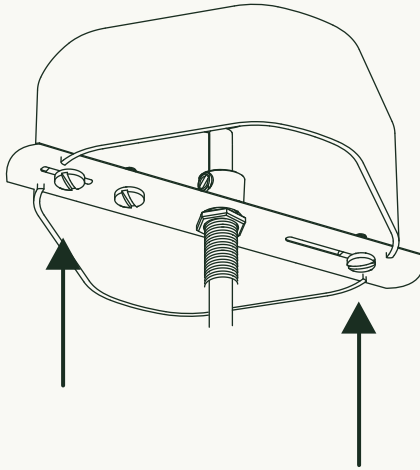
STEP 2

Thread pendant cord through Bushing (E), Canopy (D), and Crossbar Assembly (B) in that order. Be careful not to snag the cord on these items – the cord will fray. Loosen strain relief set screw at the top of the Crossbar Assembly to allow the cord to pass by.



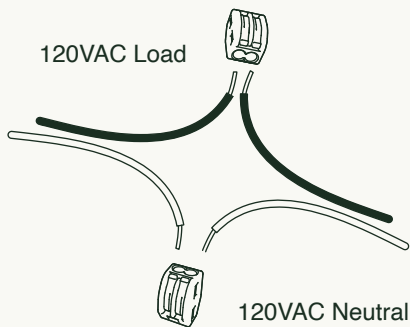
STEP 3

Set desired cord height by tightening the strain relief set screw at the top of the Crossbar Assembly **(B)** back down against the cord.



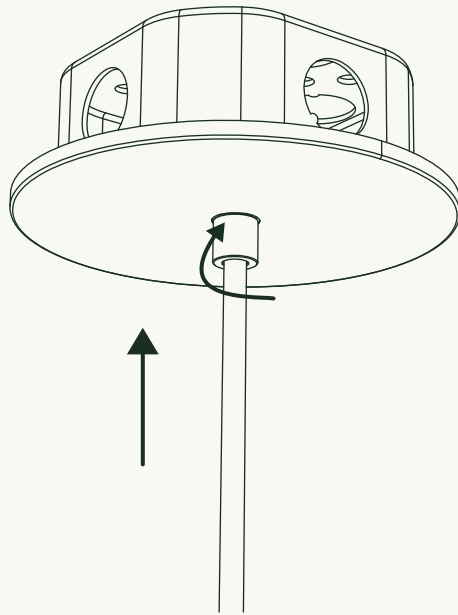
STEP 4

Fasten Crossbar Assembly **(B)** to J-Box with J-Box Screws **(C)**.



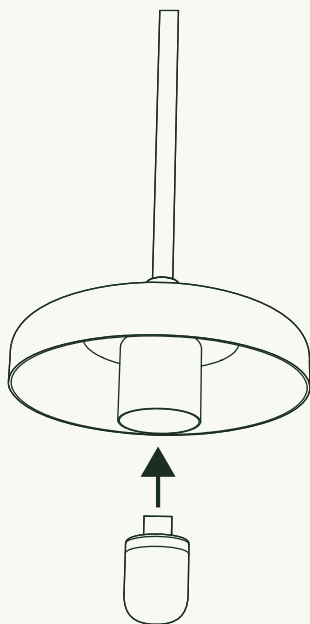
STEP 5

Using Lever Nuts **(A)**, connect pendant wires to 120VAC power. If a Ground Wire is present in the J-Box, attach it to the Crossbar using the green Ground Screw.



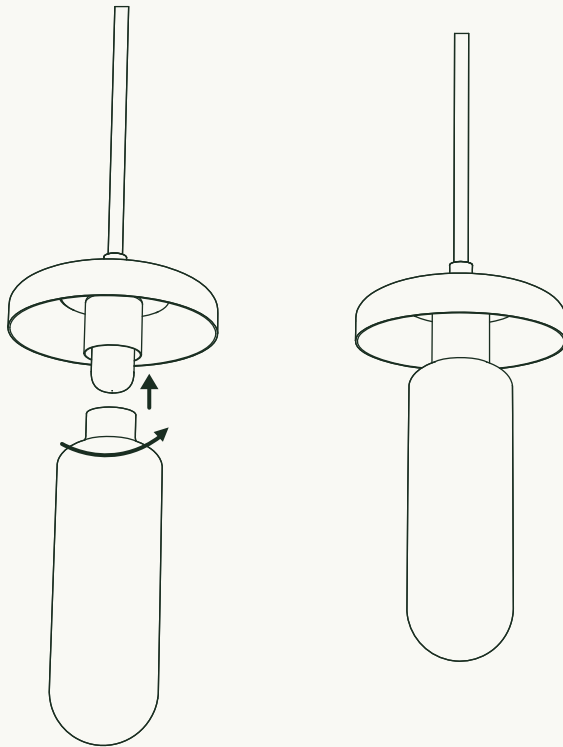
STEP 6

Carefully slide Canopy (**D**) and Bushing (**E**) up to Crossbar Assembly (**B**) without snagging cord. Thread Bushing onto the Crossbar Assembly to secure the Canopy snug against the mounting surface.



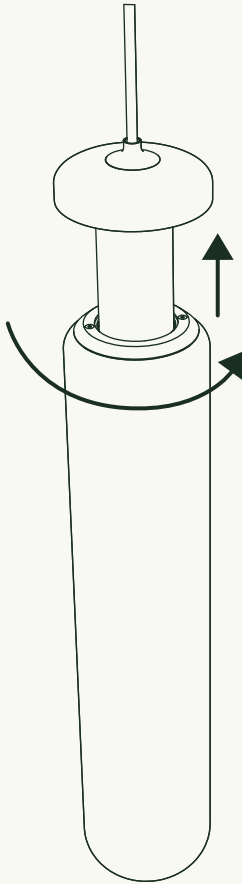
STEP 7

Install the Light Bulb (**G**) by pushing it into the socket until seated. Polarity of the pins does not matter.



STEP 8

Thread Diffuser (**H**) onto threaded socket until its shoulder just touches the socket cup, then stop. Do not tighten Diffuser.



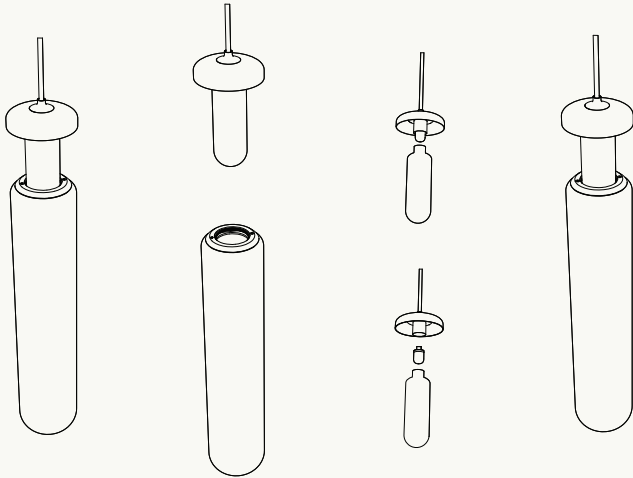
STEP 9

Re-install the glass shade by threading it onto the socket assembly until seated. STOP THREADING ONCE THE SHADE IS SEATED. OVERTIGHTENING THE SHADE WILL CAUSE THREADS TO SEIZE AND LOCK UP.



STEP 10

Return power to circuit.



CHANGING THE LIGHT BULB

DANGER: ELECTRIC SHOCK RISK.

Turn off electrical power before beginning installation.

1. Unthread the glass shade from the socket assembly while holding the socket assembly stationary. Do not allow the cord to twist.
2. Unthread and remove the bulb diffuser from the socket.
3. Remove the G9 light bulb by pulling it straight out of the socket. Push the replacement bulb straight into the socket until seated.
4. Re-install the diffuser by threading it back onto the socket.
5. Re-install the glass shade by threading it onto the socket assembly until seated. **STOP THREADING ONCE THE SHADE IS SEATED. OVERTIGHTENING THE SHADE WILL CAUSE THREADS TO SEIZE AND LOCK UP.**

Find replacement bulbs at: www.hennepinmade.com/parts