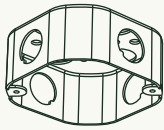


HENNEPINMADE

INSTALLATION INSTRUCTIONS

# Halo Pendant

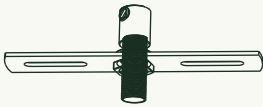




J-Box (not included)



(A) Lever Nut (QTY 2)



(B) Crossbar Assembly (QTY 1)

Includes: Strain Relief, Crossbar,  
Ground Screw, Nipple, Hex Nut



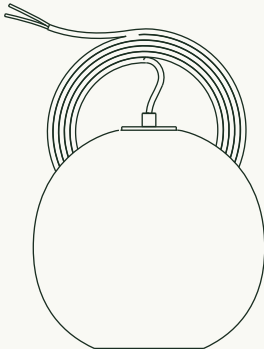
(C) J-Box Screw (QTY 2)



(D) Canopy (QTY 1)



(E) Bushing (QTY 1)

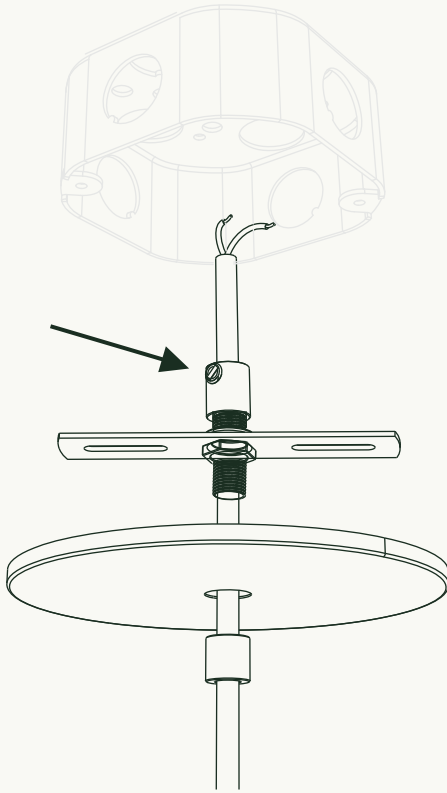


(F) Halo Pendant (QTY 1)

Please consult a licensed electrician before installation.  
Incorrect installation or failure to follow care instructions will void warranty.

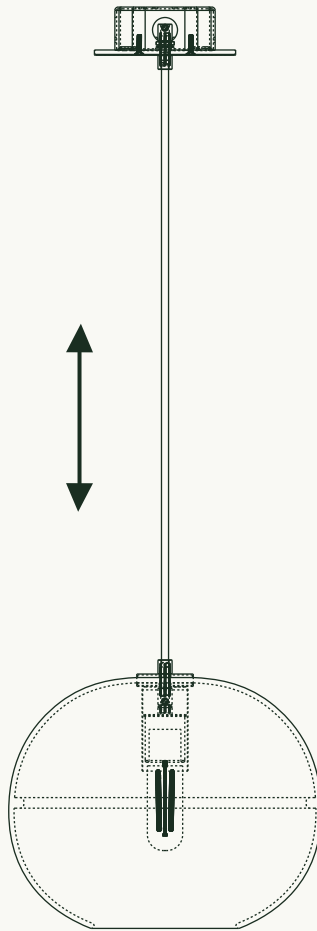
**DANGER: ELECTRIC SHOCK RISK.**

Turn off electrical power before beginning installation.



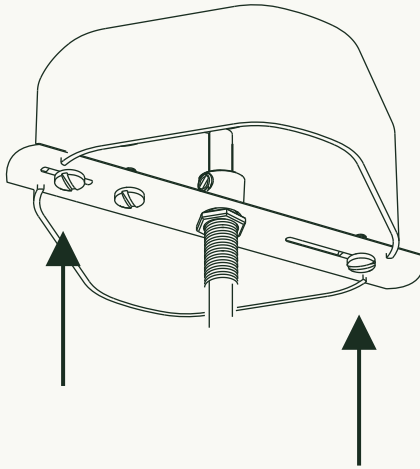
### STEP 1

Thread pendant cord through Bushing (E), Canopy (D), and Crossbar Assembly (B) in that order. Be careful not to snag the cord on these items – the cord will fray. Loosen strain relief set screw at the top of the Crossbar Assembly to allow the cord to pass by.



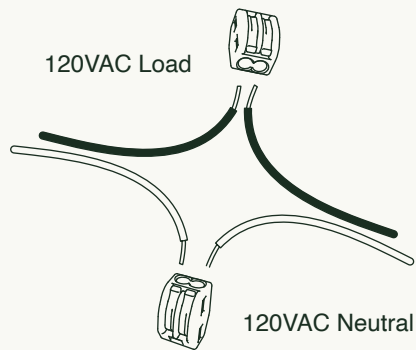
## STEP 2

Set desired cord height by tightening the strain relief set screw at the top of the Crossbar Assembly (**B**) back down against the cord.



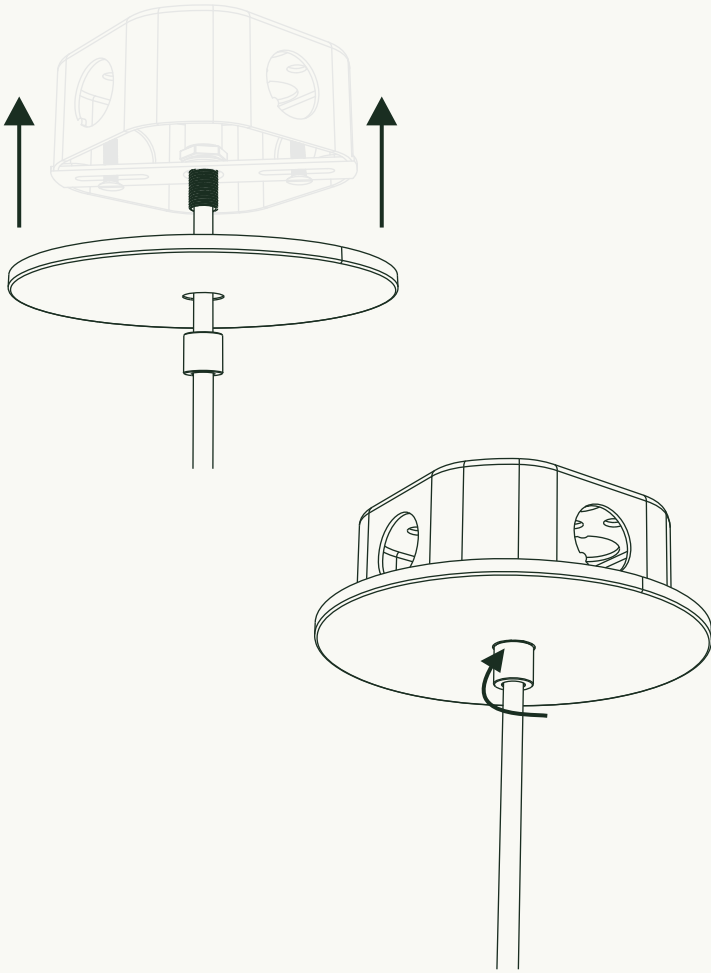
**STEP 3**

Fasten Crossbar Assembly **(B)** to J-Box with J-Box Screws **(C)**.



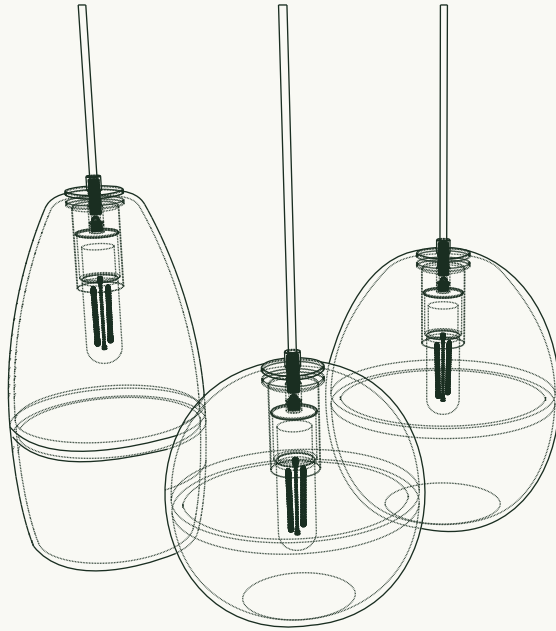
#### **STEP 4**

Using Lever Nuts **(A)**, connect pendant wires to 120VAC power. If a Ground Wire is present in the J-Box, attach it to the Crossbar using the green Ground Screw.



### STEP 5

Carefully slide Canopy (**D**) and Bushing (**E**) up to Crossbar Assembly (**B**) without snagging cord. Thread Bushing onto the Crossbar Assembly to secure the Canopy snug against the mounting surface.



**STEP 6**

Return power to the circuit.