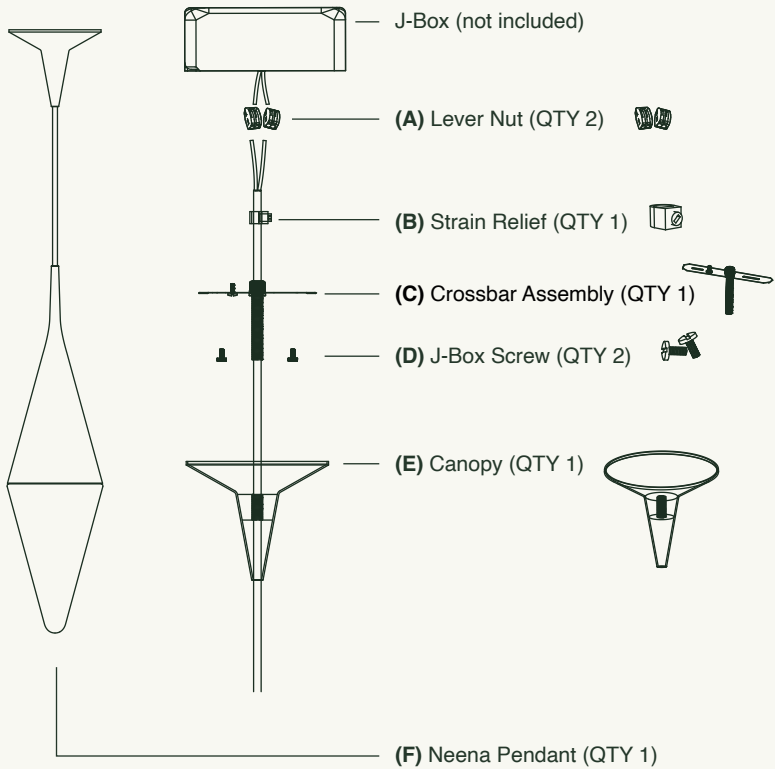


H E N N E P I N M A D E

INSTALLATION INSTRUCTIONS

Neena Pendant

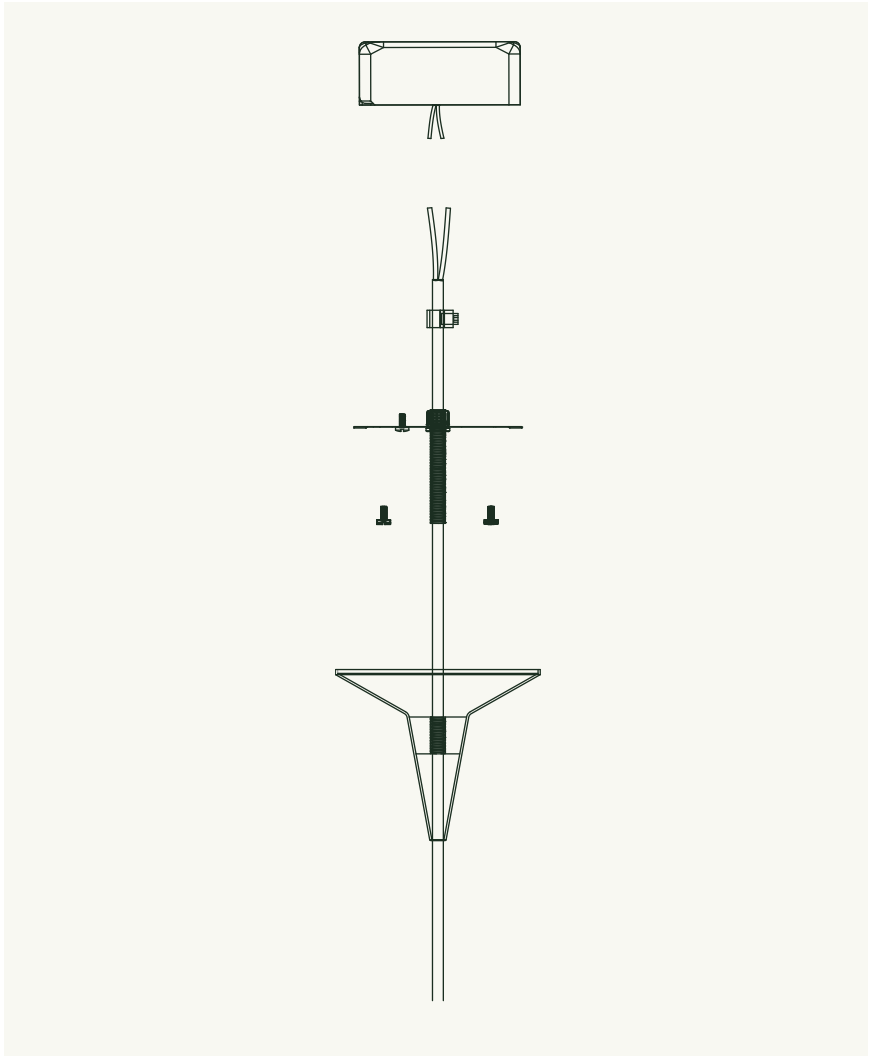




Please consult a licensed electrician before installation.
Incorrect installation or failure to follow care instructions will void warranty.

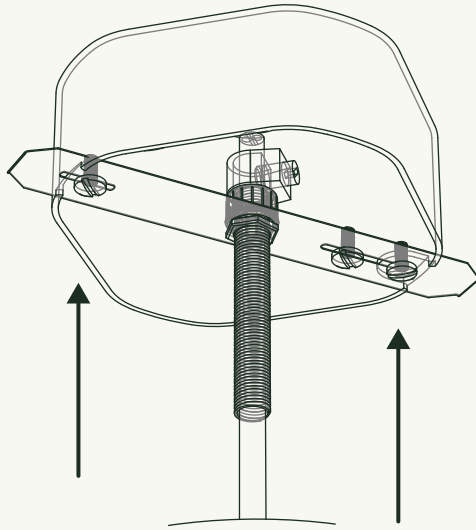
DANGER: ELECTRIC SHOCK RISK.

Turn off electrical power before beginning installation.



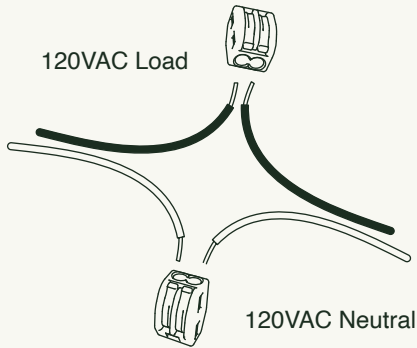
STEP 1

Thread pendant cord through Canopy (**E**), Crossbar Assembly (**C**) and Strain Relief (**B**) in that order. Be careful not to snag the cord on these items—the cord will fray. Tighten Strain Relief (**B**) against cord using set screw.



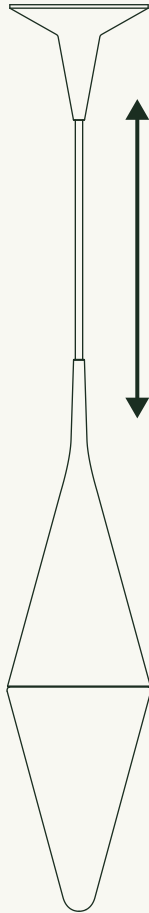
STEP 2

Fasten Crossbar Assembly (C) to J-Box with J-Box Screws (D).



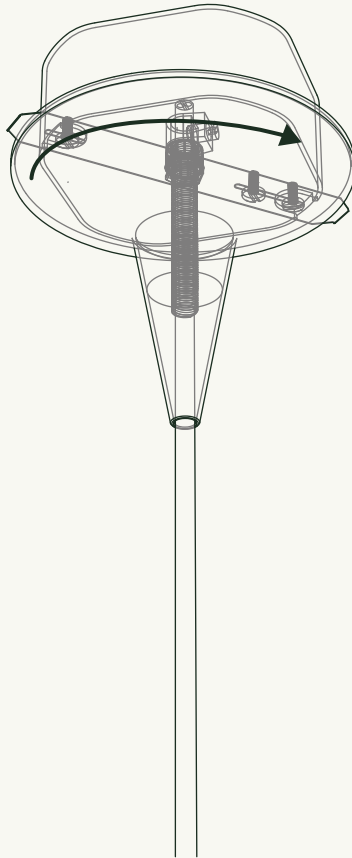
STEP 3

Using Lever Nuts (**A**), connect pendant wires to 120VAC power. If a Ground Wire is present in the J-Box, attach it to the Crossbar using the green Ground Screw.



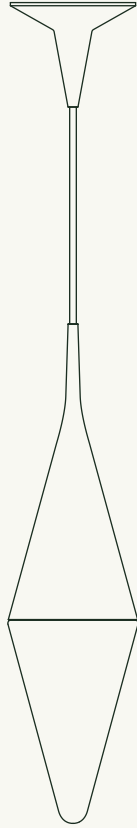
STEP 4

Set desired cord length by adjusting Strain Relief **(B)**. Loosely coil extra cord inside J-Box.



STEP 5

Carefully slide Canopy **(E)** up to Crossbar Assembly **(C)** without snagging cord. Thread Canopy **(E)** onto Cross-Bar Assembly **(C)** until snug against ceiling.



STEP 6

Return power to circuit.