

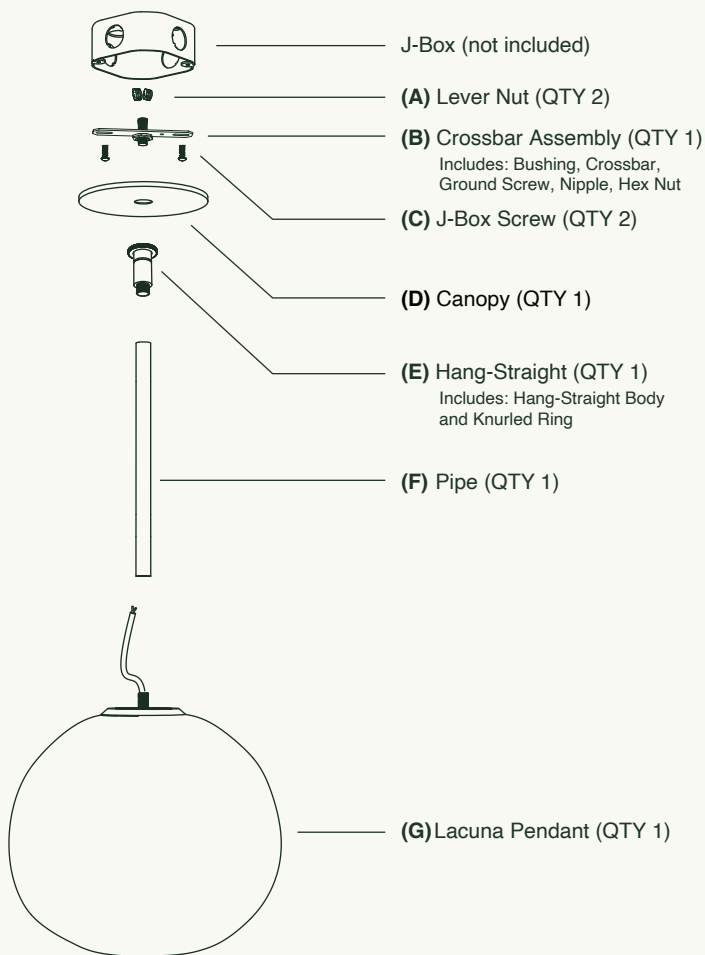
H E N N E P I N M A D E

INSTALLATION INSTRUCTIONS

# Lacuna Pendant



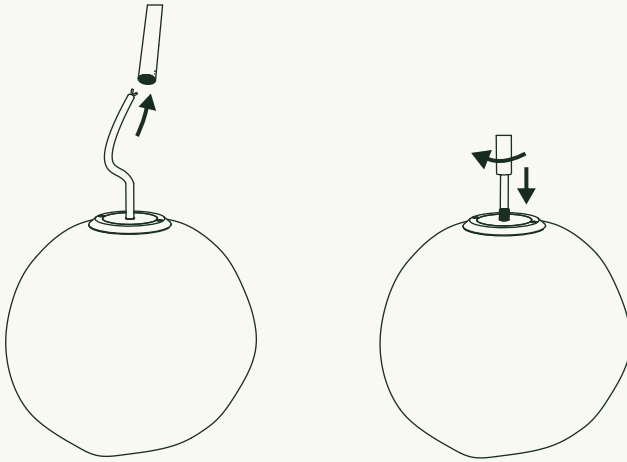
Drop Rod



Please consult a licensed electrician before installation.  
Incorrect installation or failure to follow care instructions will void warranty.

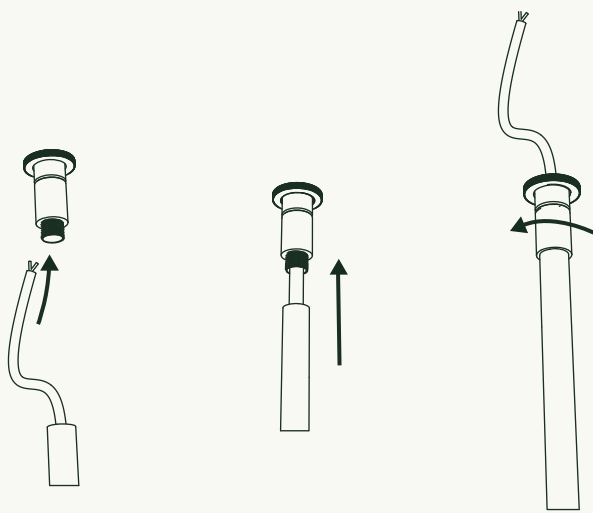
**DANGER: ELECTRIC SHOCK RISK.**

Turn off electrical power before beginning installation.



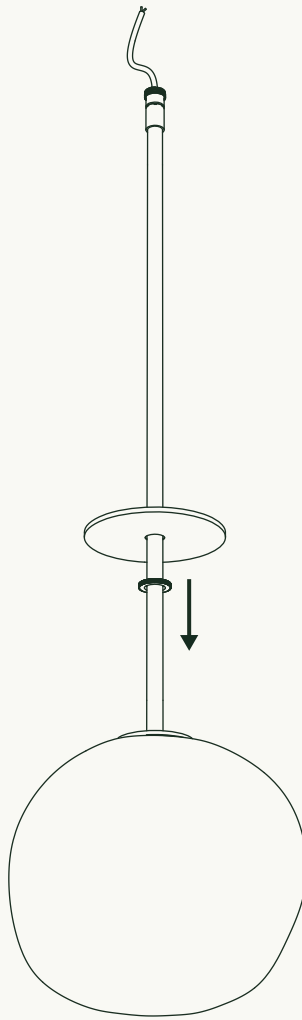
### **STEP 1**

Pass pendant cord through the Pipe (F) and screw the Pipe onto the threaded rod on the top of the Lacuna Pendant (G).



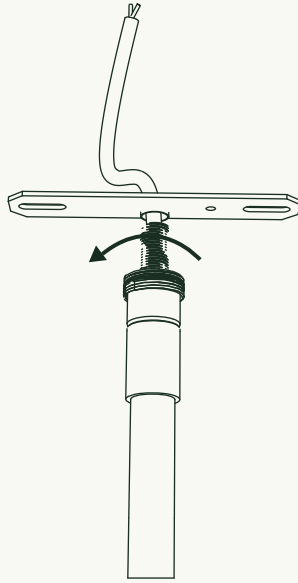
## STEP 2

Pass the pendant cord through the Hang-Straight **(E)** and screw the Hang-Straight onto the Pipe **(F)**.



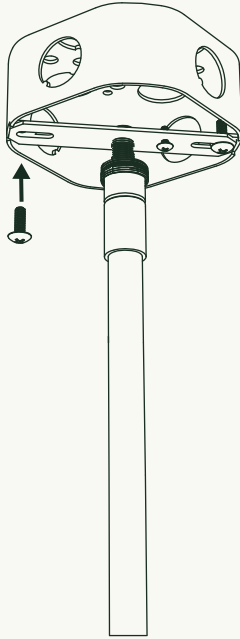
### STEP 3

Unscrew the knurled ring from the Hang-Straight (**E**) and carry it down the Pipe (**F**) to rest on the Lacuna Pendant (**G**). Slide the Canopy (**D**) onto the Pipe and pass it down as well. Be careful not to scratch the finish.



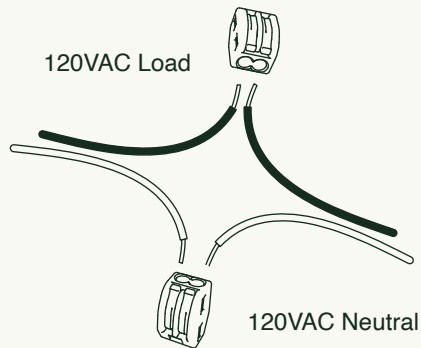
**STEP 4**

Screw the Crossbar Assembly **(B)** into the top of the Hang-Straight **(E)**.



### STEP 5

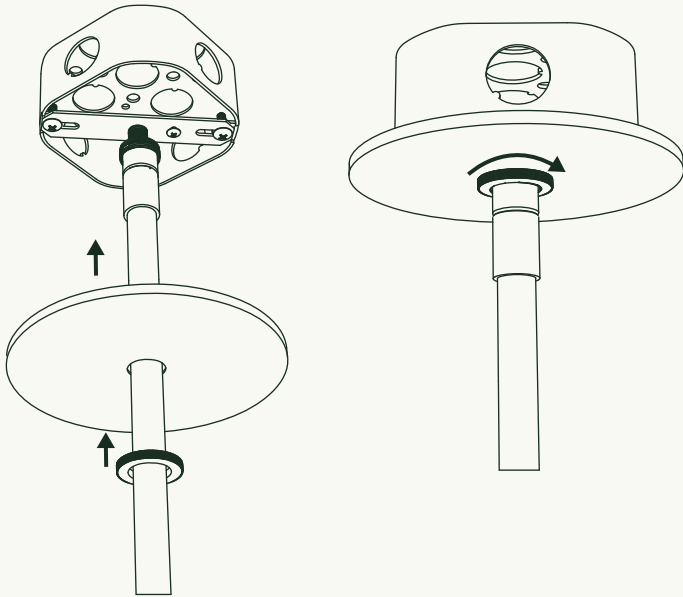
Fasten the Crossbar Assembly **(B)** to the J-Box with J-Box Screws **(C)**.



### STEP 6

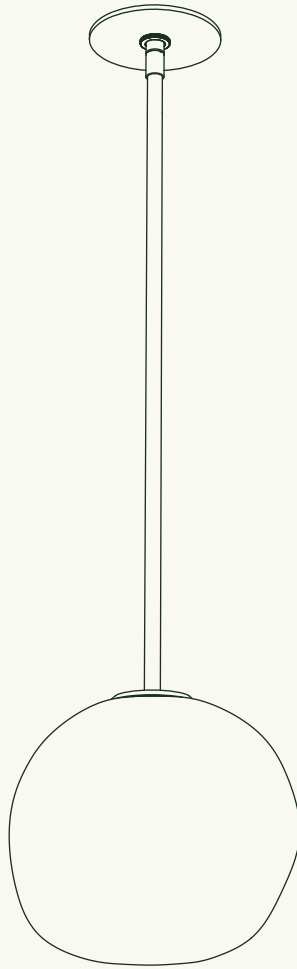
Using Lever Nuts **(A)**, connect pendant wires to 120VAC power. If a Ground Wire is present in the J-Box, attach it to the Crossbar **(B)** using the green Ground Screw.





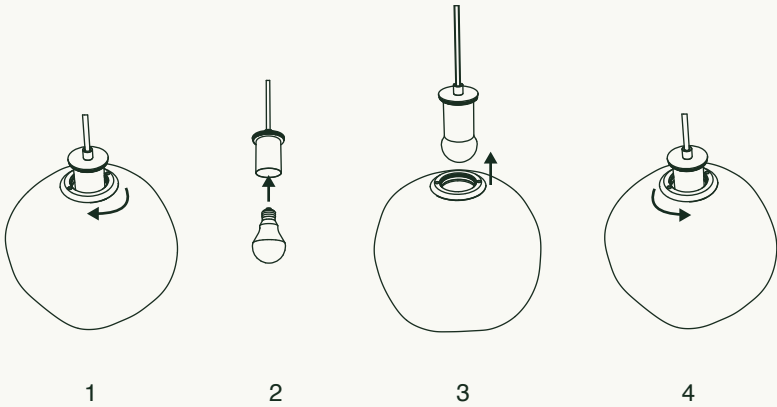
### STEP 7

Carefully carry the Canopy (**D**) and Knurled Ring back up to the Hang-Straight (**E**). Thread the Knurled Ring onto the Hang-Straight, securing the Canopy snug against the mounting surface.



**STEP 8**

Return power to circuit.



## CHANGING THE LIGHT BULB

### **DANGER: ELECTRIC SHOCK RISK.**

Turn off electrical power before beginning installation.

1. Unthread the glass shade from the socket assembly while holding the socket assembly stationary. Do not allow the socket assembly to twist.
2. Replace the light bulb in the E26 threaded socket.
3. Re-install the glass shade by threading it onto the socket assembly until seated. STOP THREADING ONCE THE SHADE IS SEATED. OVERTIGHTENING THE SHADE WILL CAUSE THREADS TO SEIZE AND LOCK UP.

Find replacement bulbs at: [www.hennepinmade.com/parts](http://www.hennepinmade.com/parts)