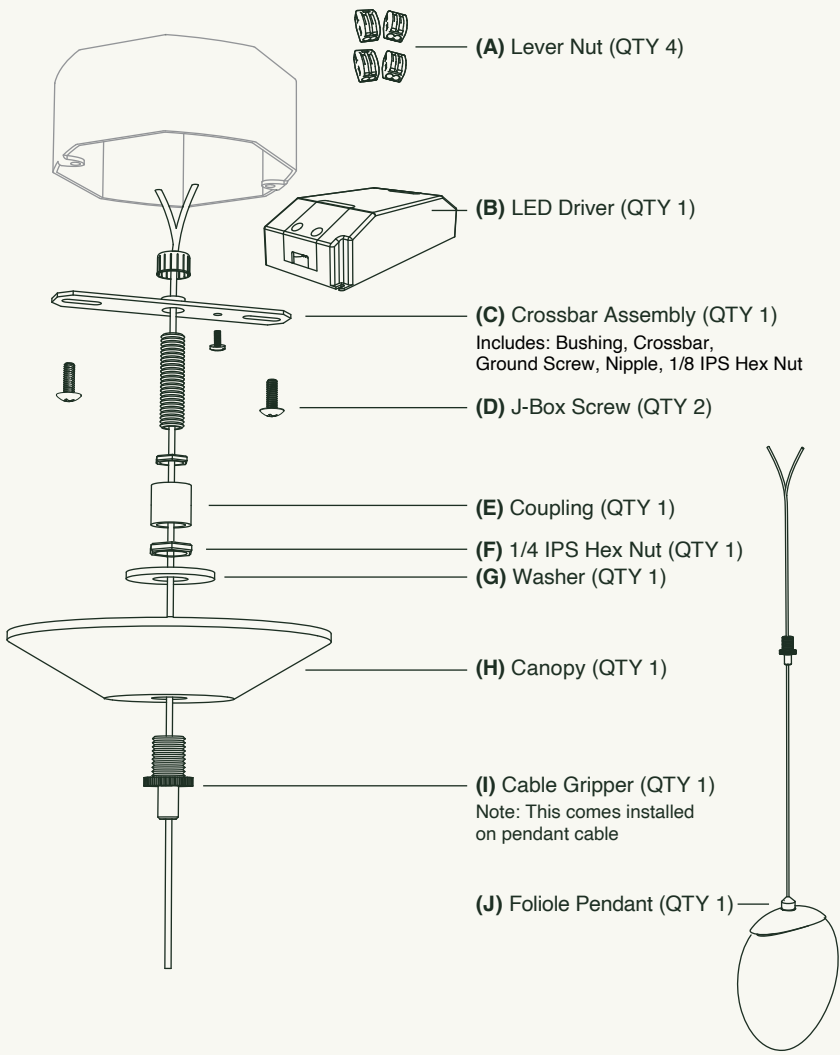


HENNEPINMADE

INSTALLATION INSTRUCTIONS

Foliole Pendant

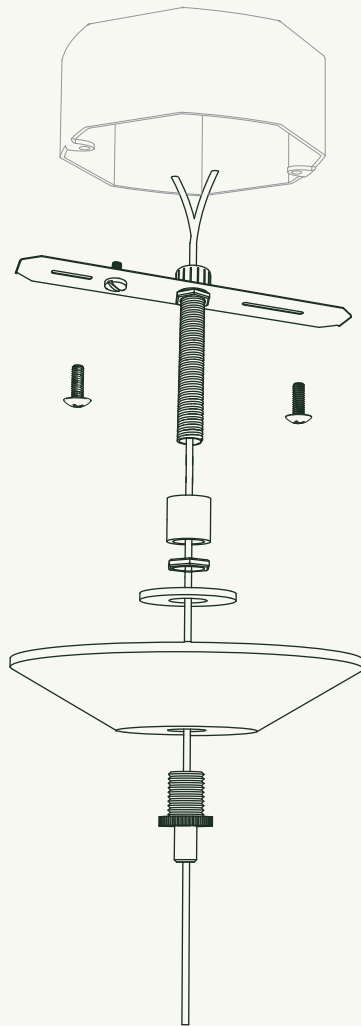




Please consult a licensed electrician before installation.
Incorrect installation or failure to follow care instructions will void warranty.

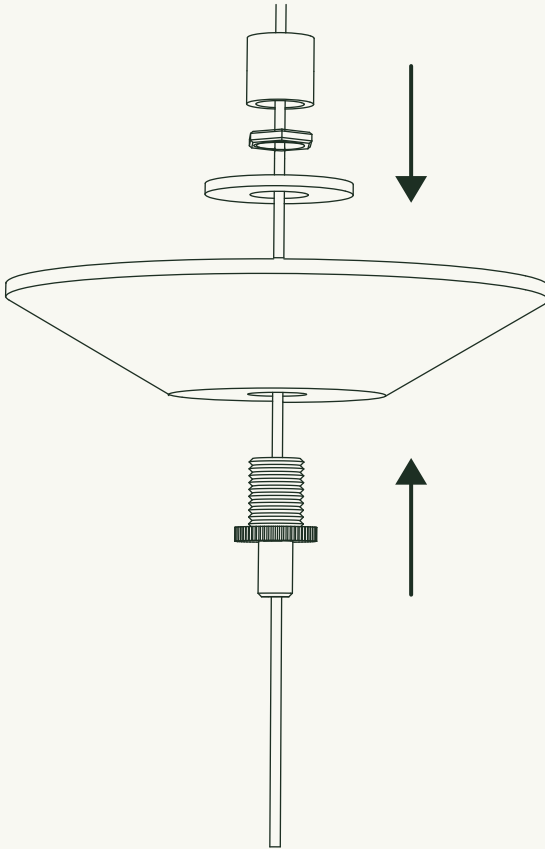
DANGER: ELECTRIC SHOCK RISK.

Turn off electrical power before beginning installation.



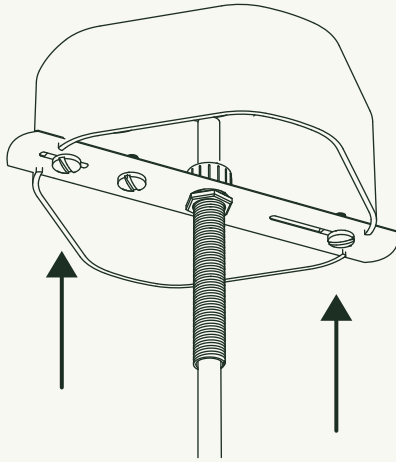
STEP 1

Thread pendant cable through Canopy (H), Washer (G), 1/4 IPS Hex Nut (F), Coupling (E), and Crossbar Assembly (C) in that order.



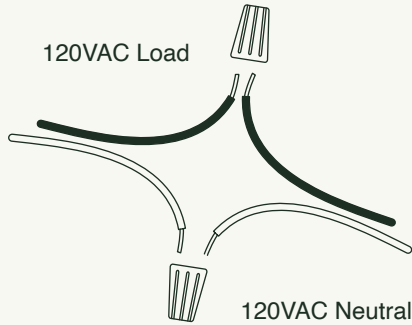
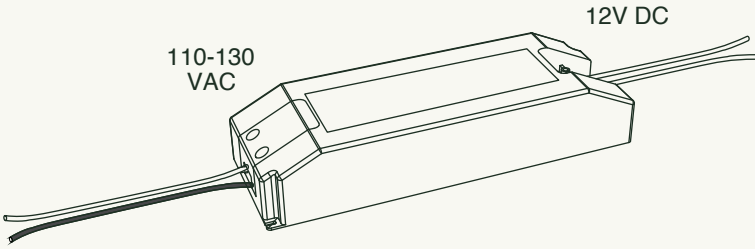
STEP 2

Seat Canopy (**H**) and Washer (**G**) onto the Cable Gripper (**I**), then thread $\frac{1}{4}$ IPS Hex Nut (**F**) onto Cable Gripper. Tighten against Canopy. Thread Coupling (**E**) onto Cable Gripper.



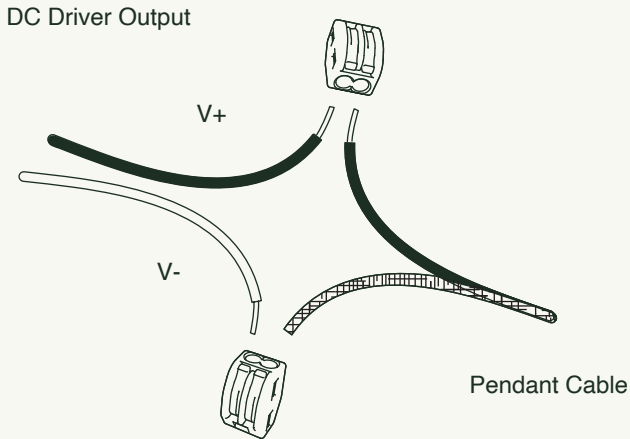
STEP 3

Fasten Crossbar Assembly **(C)** to J-Box with J-Box Screws **(D)**.



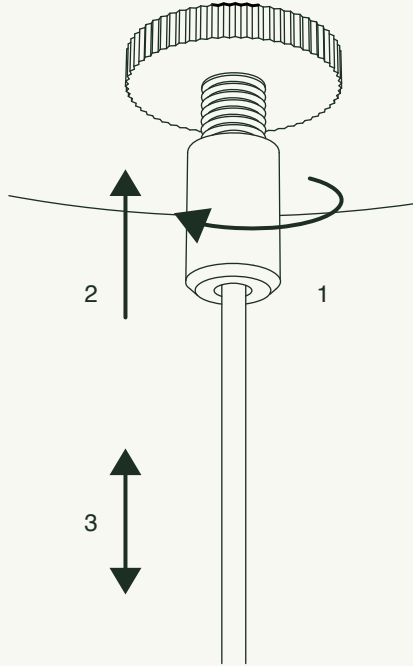
STEP 4

Connect junction box hot wire (black) to the VAC Line input of the driver with a Lever Nut **(A)**. Connect junction box neutral wire (white) to the VAC Neutral input of the driver with a Lever Nut.



STEP 5

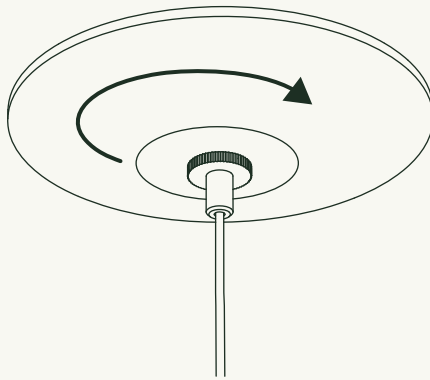
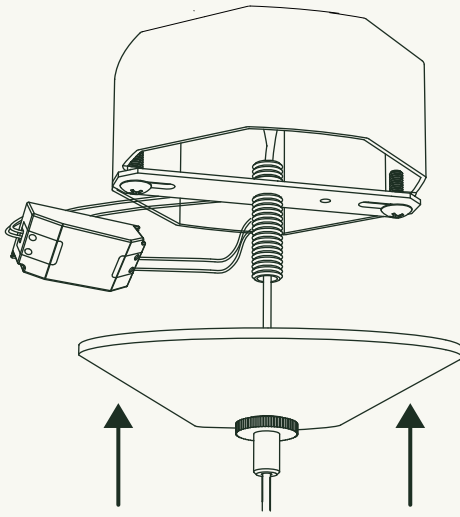
Connect black wire of pendant cable to the V+ DC output of the driver using a Lever Nut **(A)**. Connect metal braid of pendant cable to the V- DC output of the driver using a Lever Nut.



STEP 6

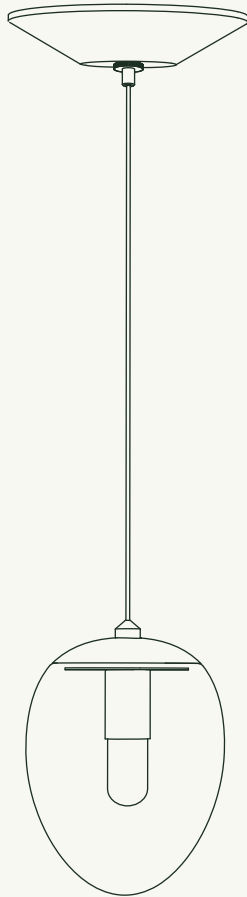
Adjust cable length as desired with Cable Gripper (I).

- 1) Loosen cable gripper cap
- 2) Press cap up into canopy
- 3) Pass the pendant cable through. When desired length is achieved, tighten Cable Gripper cap to secure.



STEP 7

Carefully slide Canopy (H) up to Crossbar Assembly (C). Tuck wired LED Driver (B) into Canopy and thread Canopy until snug against ceiling.



STEP 8

Return power to circuit.