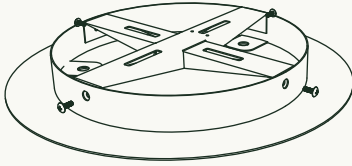


HENNEPINMADE

INSTALLATION INSTRUCTIONS

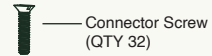
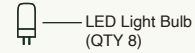
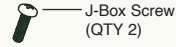
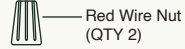
Foliole 8 Light Chandelier



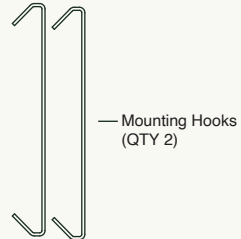
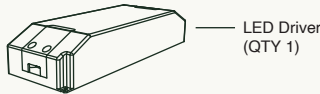


Canopy Assembly (assembled)
(QTY 1)

Includes: Cross Bracket (1)
Canopy Ring (1), Faceplate (1)
Canopy Screws (4), Faceplate Nipples
(4), Washers (4), Hex Nuts (4)

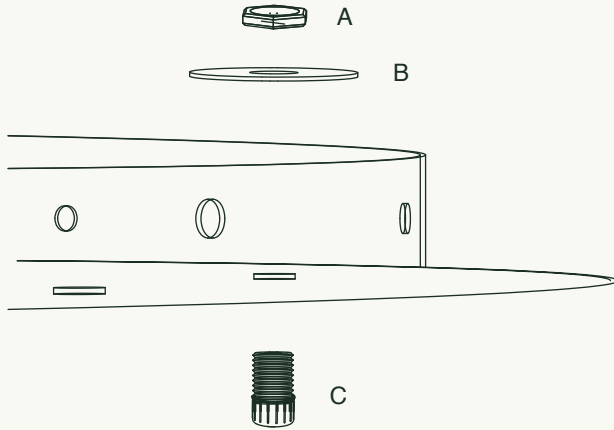


Angled Assembly
(QTY 8)



Please consult a licensed electrician before installation.
Incorrect installation or failure to follow care instructions will void warranty.

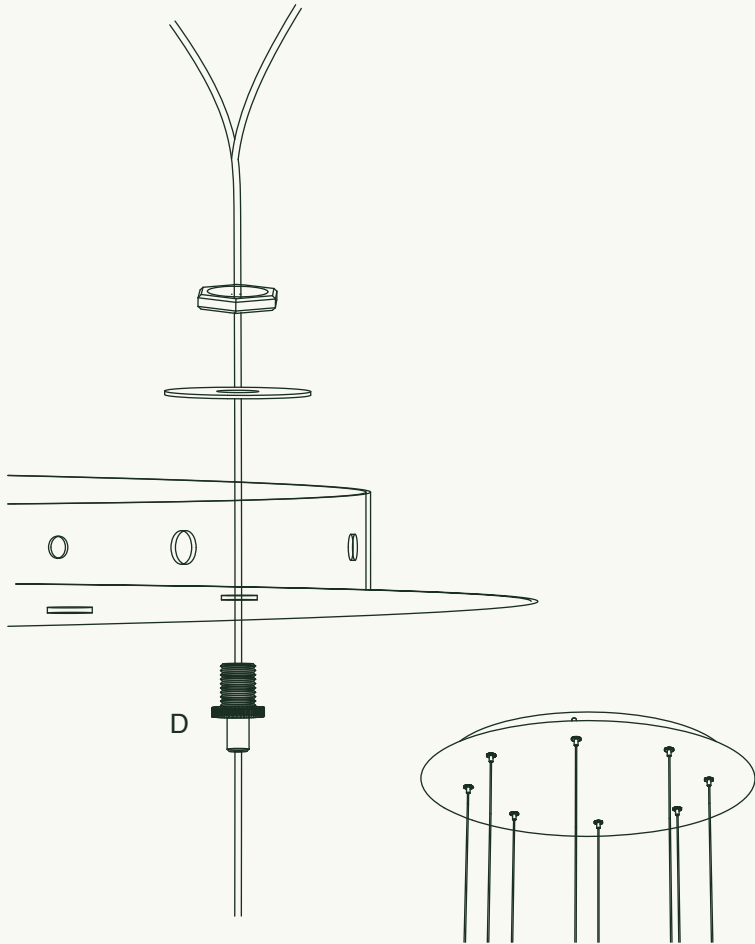
DANGER: ELECTRIC SHOCK RISK.
Turn off electrical power before beginning installation.



STEP 1

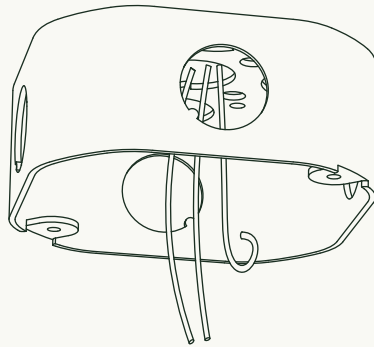
Unscrew the Hex Nuts **(A)** and remove the Washers **(B)** and Faceplate Nipples **(C)** holding the Faceplate to the Canopy Ring.

DO NOT DISCARD THE WASHERS AND HEX NUTS.



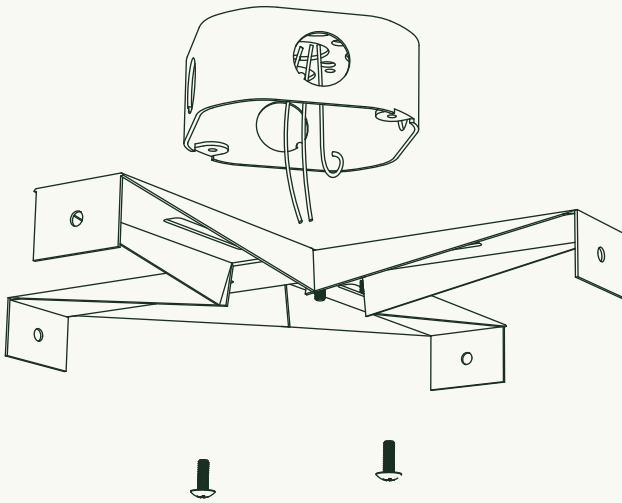
STEP 2

Install Pendant Assembly cable grippers (**D**) into the faceplate holes and secure with Washers and Hex Nuts. You will need to use the Washers and Hex Nuts removed in the previous step as well as the ones bagged separately. The Faceplate Nipples can be discarded.



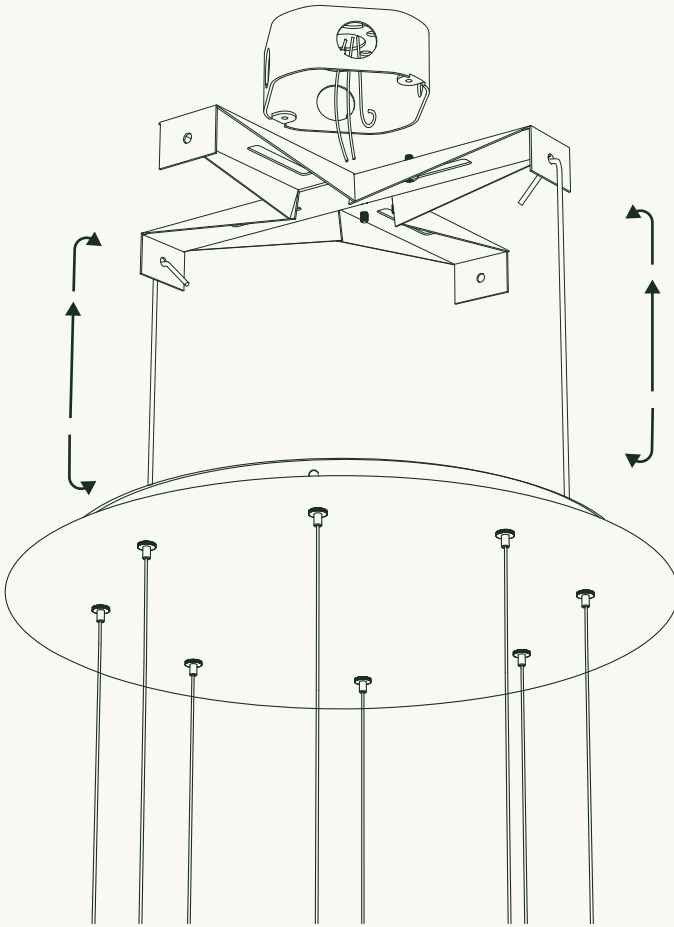
STEP 3

Remove Canopy Screws and remove Cross-Bracket from Canopy Assembly. Affix your junction box's (bare) ground wire to a metal component to effectively ground the unit. For metal junction boxes, screw on the (bare) ground wire directly to junction box. For plastic junction boxes, screw the ground wire to the canopy's Cross-Bracket with the provided ground wire screws.



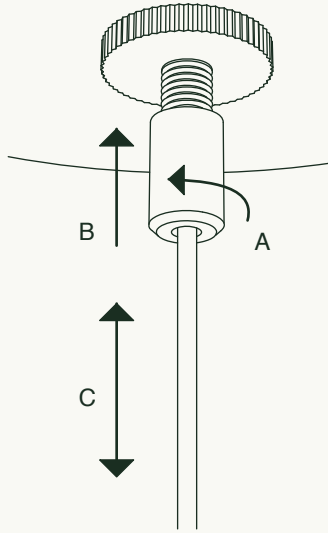
STEP 4

Using the J-Box screws, screw the Cross-Bracket to the junction box through two of the slots in the Cross-Bracket. Tighten the screws enough to pull the ends of the Cross-Bracket tight against the ceiling.



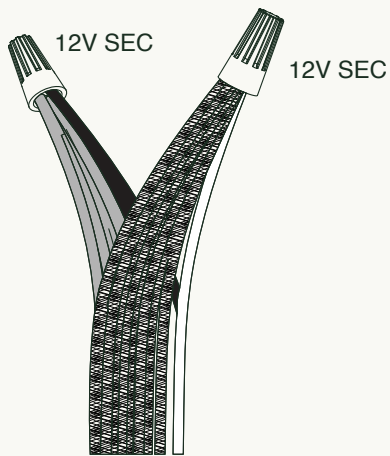
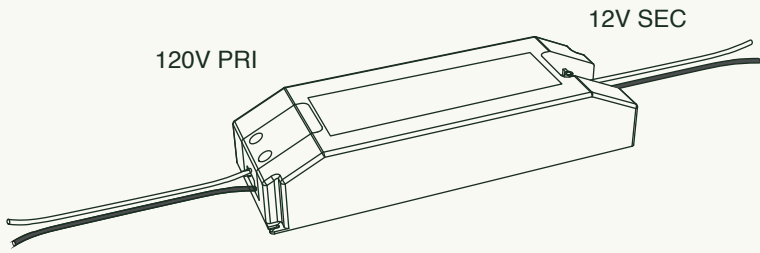
STEP 5

Use the two provided wire hanging hooks to hang the Canopy Ring from the Cross-Bracket. Put the bottom of the hooks into the empty screw holes in the Canopy Ring.



STEP 6

Adjust cable lengths as desired. A) Loosen cable gripper cap, B) press cap up into canopy, and C) pass the pendant cable through. When desired length is achieved, tighten cable gripper cap to secure.

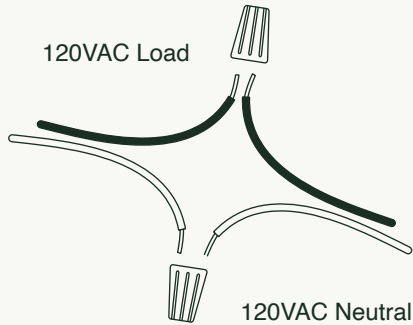


STEP 7

Connect the black pendant cord wires to one of the 12V SEC output of the driver using a Red Wire Nut.

Connect the braided pendant cord jackets to the other SEC output of the driver using a Red Wire Nut.

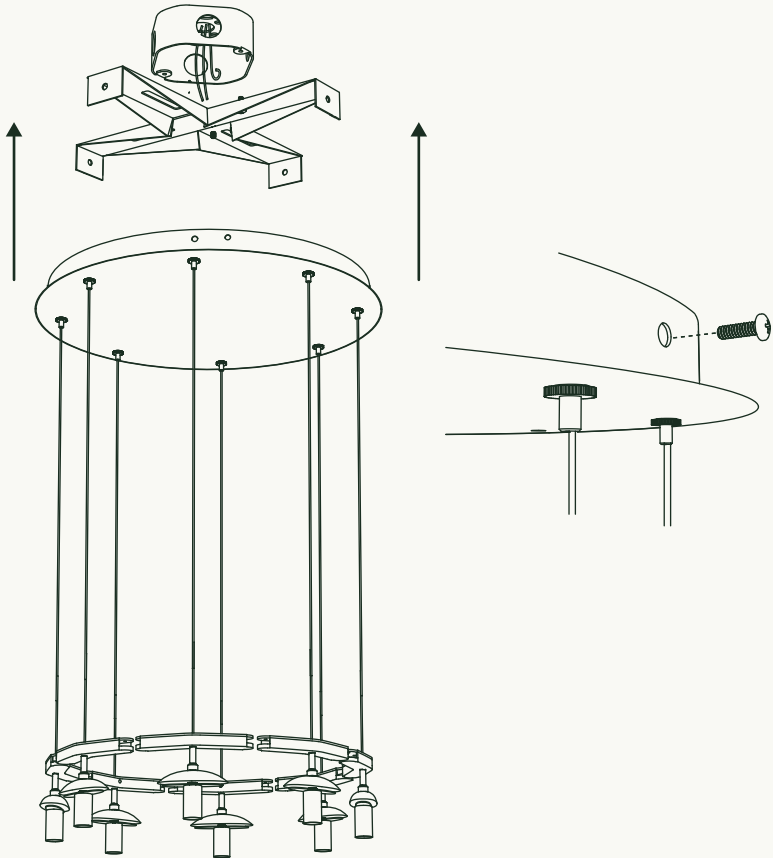
Note: The polarity of the two SEC wires does not matter.



STEP 8

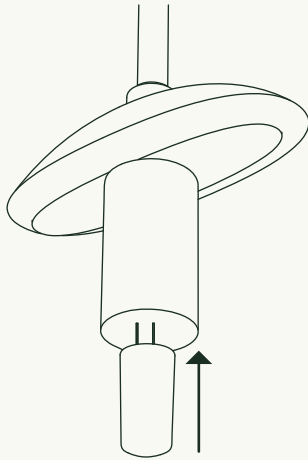
Connect junction box hot wire (black) to the VAC Line input of the driver with a Yellow Wire Nut. Connect junction box neutral wire (white) to VAC Neutral input of the driver with a Yellow Wire Nut.

Once power connections are made, place driver inside of canopy.



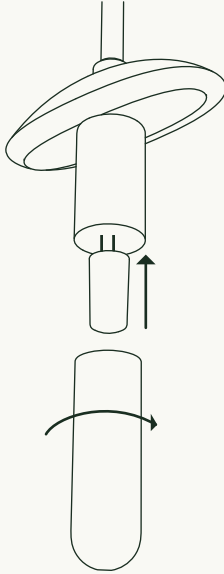
STEP 9

Remove the wire hanging hooks while lifting the Canopy up and around the four tabs on the Cross-Bracket. Make sure all wires and driver are tucked safely inside. Align the slotted holes on the Canopy Ring with the holes in the Cross-Bracket. Use the four Canopy Screws to join the two components together. Do not overtighten.



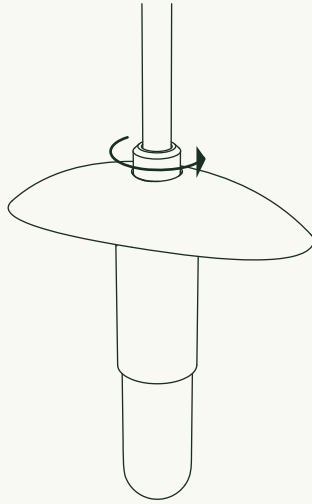
STEP 10

Install LED Light Bulb into each Angled Assembly by pushing the pins into the socket. Polarity does not matter.



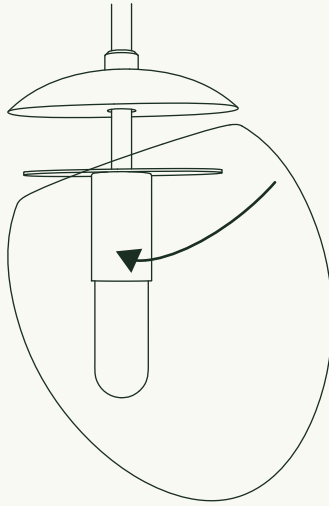
STEP 11

Slide Frosted Diffuser into socket cup of each Angled Assembly and thread into place. Hennepin Made recommends leaving 1-3/4" to 2" of Frosted Diffuser exposed beyond the socket cup.



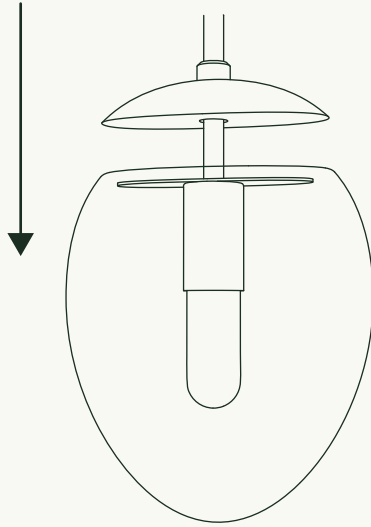
STEP 12

Unthread the bushing above wood cover on Angled Assembly.



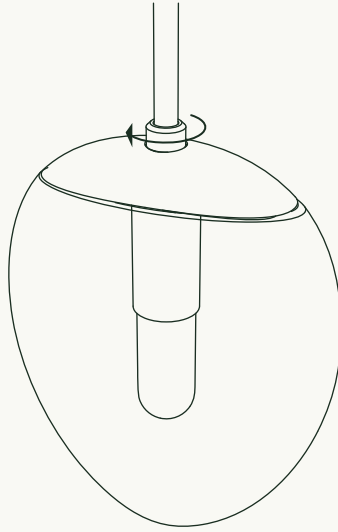
STEP 13

Pull bushing and wood cap away from metal hanger. Slide Glass Shade over hanger.



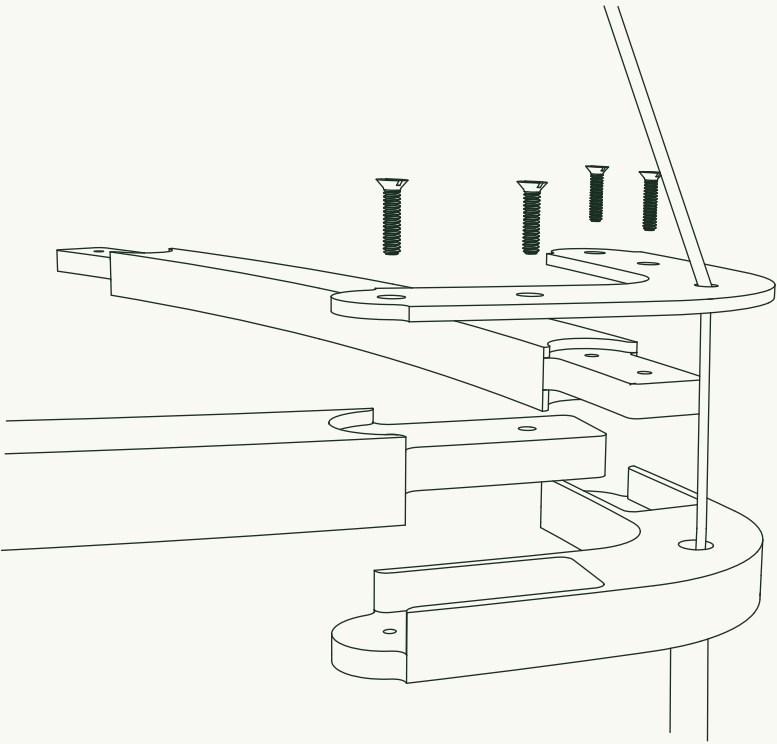
STEP 14

Replace wood cover and bushing. Push wood cover and bushing against metal hanger.



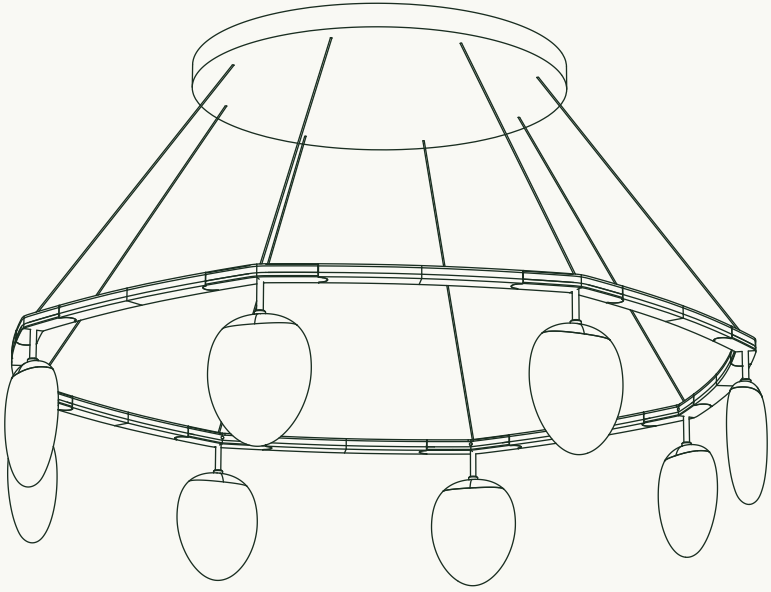
STEP 15

Tighten bushing against wood cover, securing Glass Shade.



STEP 16

Install Wood Arms using Connector Screws. The Wood Arms are matched to specific Angled Assemblies and labeled as such. Match the numbers for a perfect fit.



STEP 17

Installation is now complete. Return power to circuit.