

H E N N E P I N M A D E

INSTALLATION INSTRUCTIONS

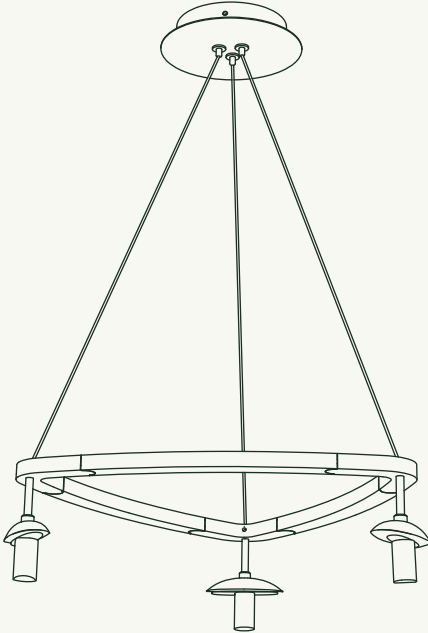
Foliole 3 Light Chandelier



Canopy Assembly (assembled)
(QTY 1)

Includes:

- Canopy Faceplate (1)
- Canopy Ring (1)
- Canopy Ceiling Plate (1)
- Canopy Screws (4)
- Canopy Washers (4)
- Pendant Washers (3)
- Hex Nuts (3)
- Cable Grippers (3)
- Chandelier Frame (1)
- Chandelier Sockets (3)



Glass Shade
(QTY 3)



J-Box Screw
(QTY 2)



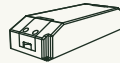
Yellow Wire Nut
(QTY 4)



Frosted Diffuser
(QTY 3)



LED Light Bulb
(QTY 3)

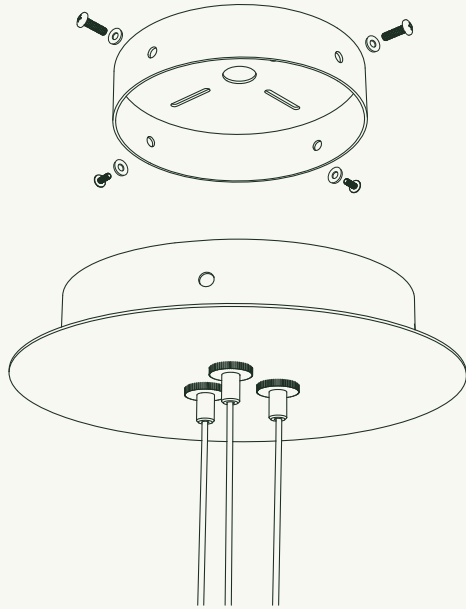


LED Driver
(QTY 1)

Please consult a licensed electrician before installation.
Incorrect installation or failure to follow care instructions will void warranty.

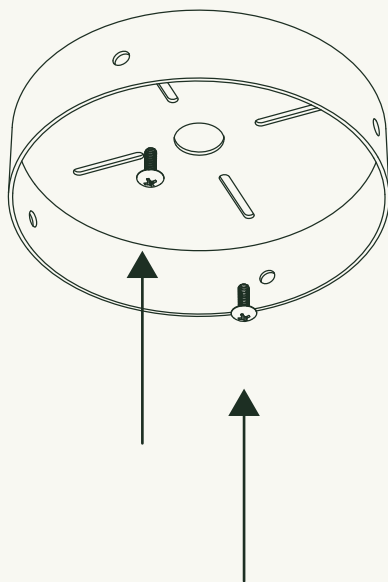
DANGER: ELECTRIC SHOCK RISK.

Turn off electrical power before beginning installation.



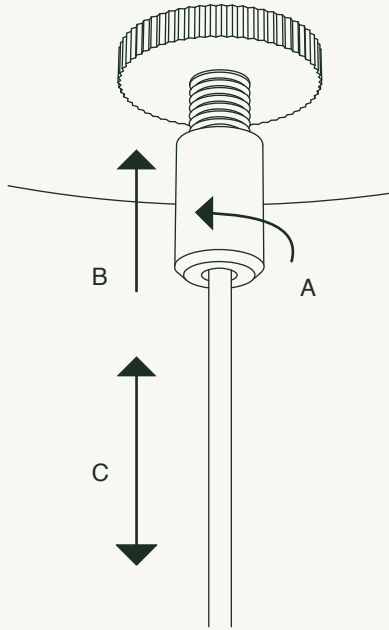
STEP 1

Remove Canopy Screws and Canopy Washers and remove Canopy Ceiling Plate from the Canopy Assembly.



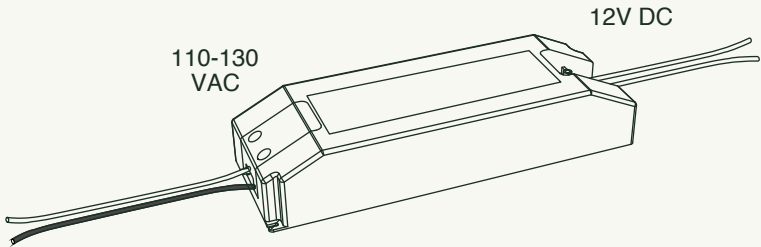
STEP 2

Fasten the Canopy Ceiling Plate to the ceiling J-Box with the two J-Box screws.



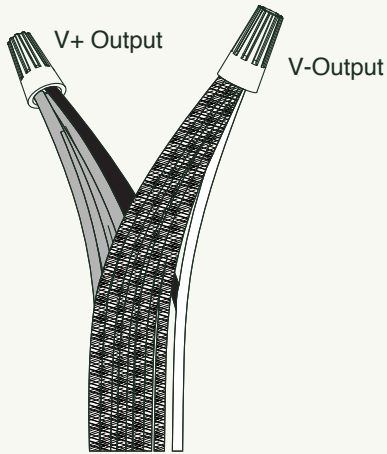
STEP 3

Adjust cable lengths as desired. A) Loosen cable gripper cap, B) press cap up into canopy, and C) pass the pendant cable through. When desired length is achieved, tighten cable gripper cap to secure.



STEP 4

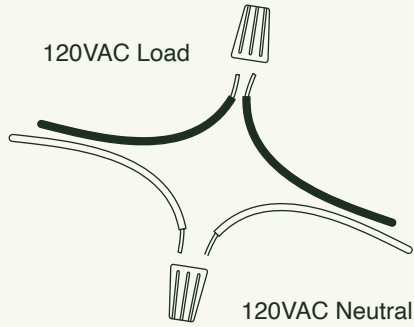
Identify 110-130VAC Input: this is for line voltage. Identify 12VDC output: this is for the fixture.



STEP 5

Connect the black pendant cord wires to the V+ output of the driver using a Wire Nut.

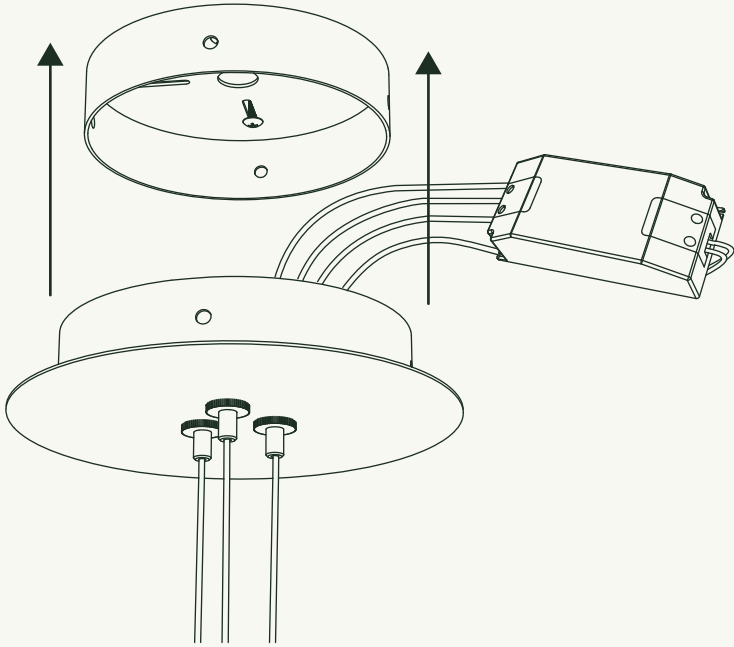
Connect the braided pendant cord jackets to the V- output of the driver using a Wire Nut.



STEP 6

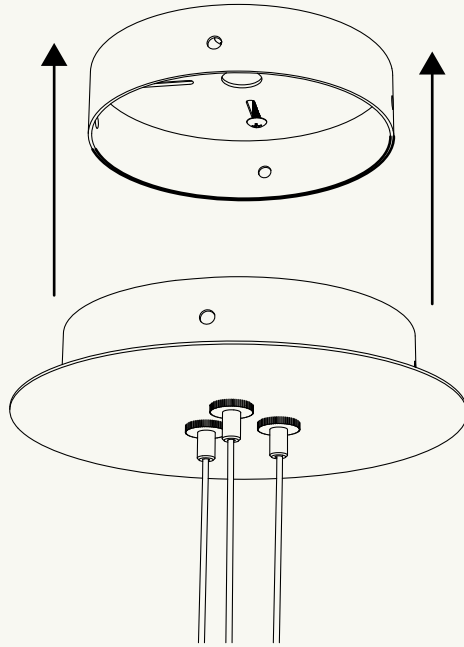
Connect junction box hot wire (black) to the VAC Line input of the driver with a Wire Nut.

Connect junction box neutral wire (white) to VAC Neutral input of the driver with a Wire Nut.



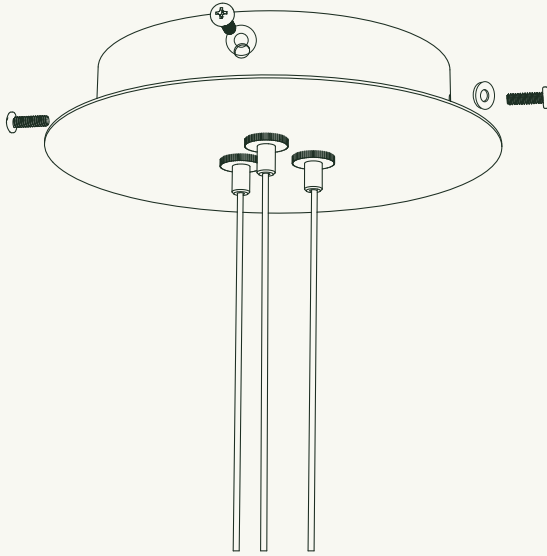
STEP 7

Once power connections are made, place driver inside of canopy.



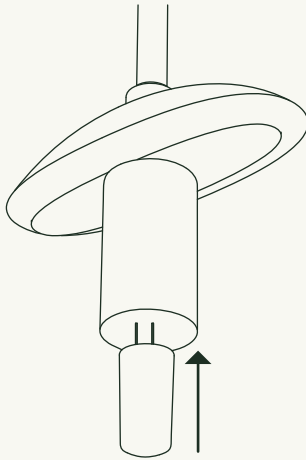
STEP 8

Slide Canopy Assembly over installed Ceiling Plate, aligning screw holes.



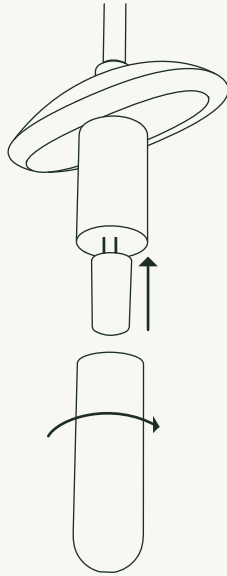
STEP 9

Fasten Canopy Pan to Ceiling Plate using Canopy Washers and Canopy Screws removed in Step 1.



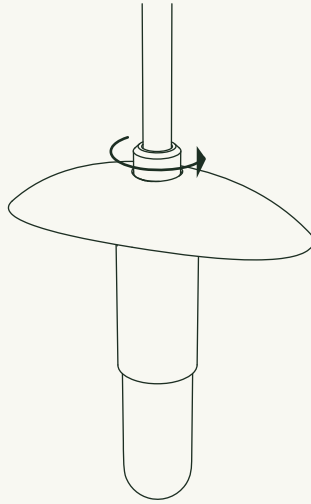
STEP 10

Install LED Light Bulb into each socket by pushing the pins into the socket. Polarity does not matter.



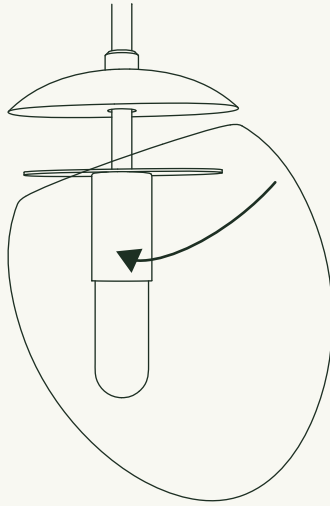
STEP 11

Slide Frosted Diffuser into socket cup and thread into place. Hennepin Made recommends leaving 1-3/4" to 2" of Frosted Diffuser exposed beyond the socket cup.



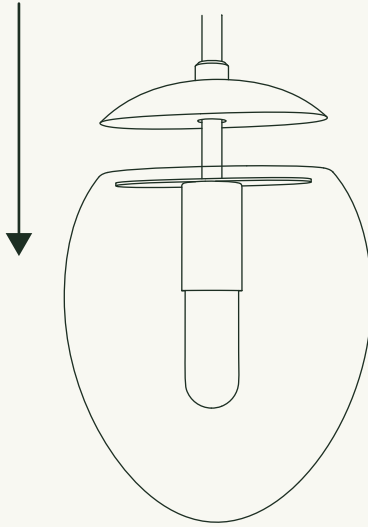
STEP 12

Unthread bushing above wood cover on socket assembly.



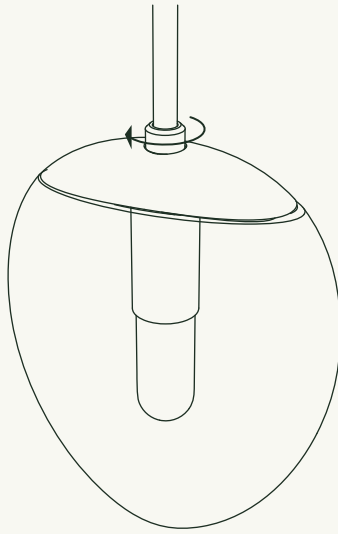
STEP 13

Pull bushing and wood cap away from metal hanger. Slide Glass Shade over hanger.



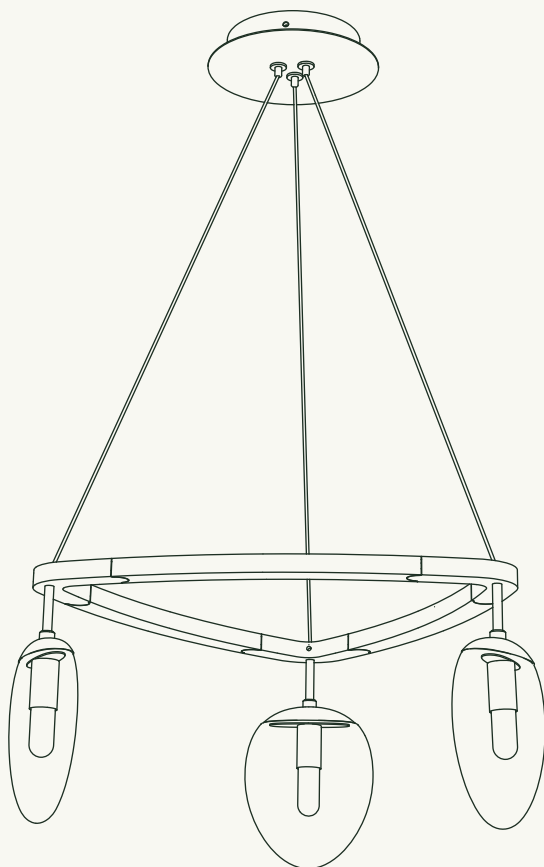
STEP 14

Replace wood cover and bushing. Push wood cover and bushing against metal hanger.



STEP 15

Tighten bushing against wood cover, securing Glass Shade.



STEP 16

Installation is now complete. Return power to circuit.