

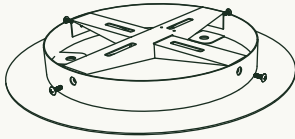
H E N N E P I N M A D E

INSTALLATION INSTRUCTIONS

Round Multi-Pendant Canopy



These instructions describe 120V Multi-Pendant Canopy Installation for various quantities of pendants. Quantities shown in illustrations may not match your product exactly.



Canopy Assembly (assembled)
(QTY 1)

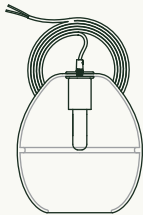
Includes: Cross-Bracket (x1), Canopy Ring (x1), Faceplate (x1), Ground Screws (x2), Canopy Screws (x4), Hex Nuts (x3 or 5), Washers (x3 or 5), and Strain Relief (x3 or 5).



Mounting Hooks
(QTY 2)



J-Box Screw
(QTY 2)



Pendants
3 Light (QTY 3)
5 Light (QTY 5)



Lever Nut
3 Light (QTY 2)
5 Light (QTY 4)

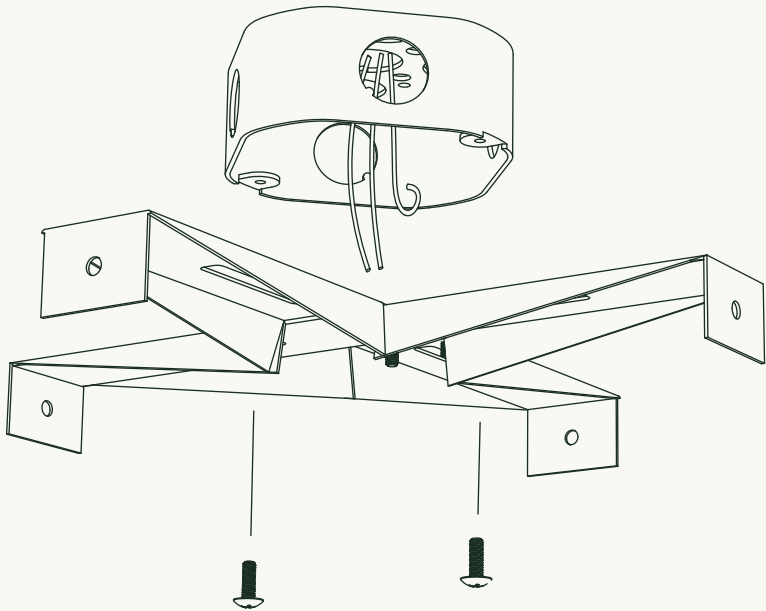


Jumper Wire
3 Light (QTY 0 pair)
5 Light (QTY 1 pair)

Please consult a licensed electrician before installation.
Incorrect installation or failure to follow care instructions will void warranty.

DANGER: ELECTRIC SHOCK RISK.

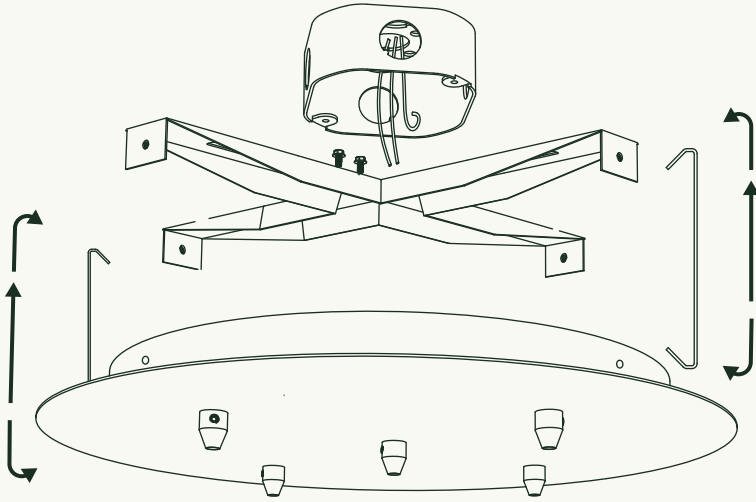
Turn off electrical power before beginning installation.



STEP 1

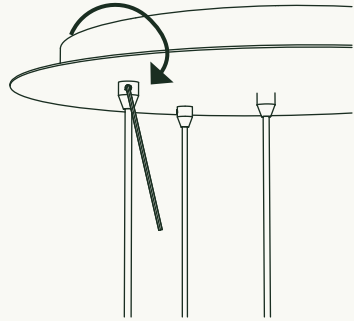
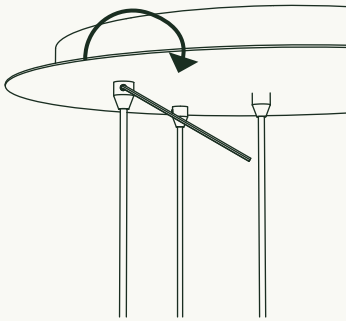
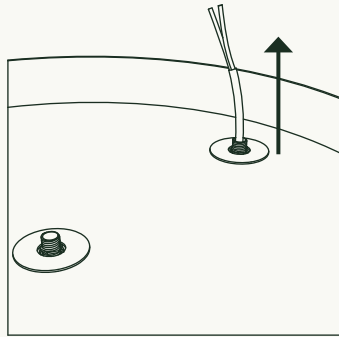
Remove Canopy Screws and remove Cross-Bracket from Canopy Assembly. Affix your junction box's (bare) ground wire to a metal component to effectively ground the unit. For metal junction boxes, screw on the (bare) ground wire directly to junction box. For plastic junction boxes, screw the ground wire to the canopy's Cross-Bracket with the provided ground wire screws.

Using the J-Box screws, screw the Cross-Bracket to the junction box through two of the slots in the Cross-Bracket. Tighten the screws enough to pull the ends of the Cross-Bracket tight against the ceiling.



STEP 2

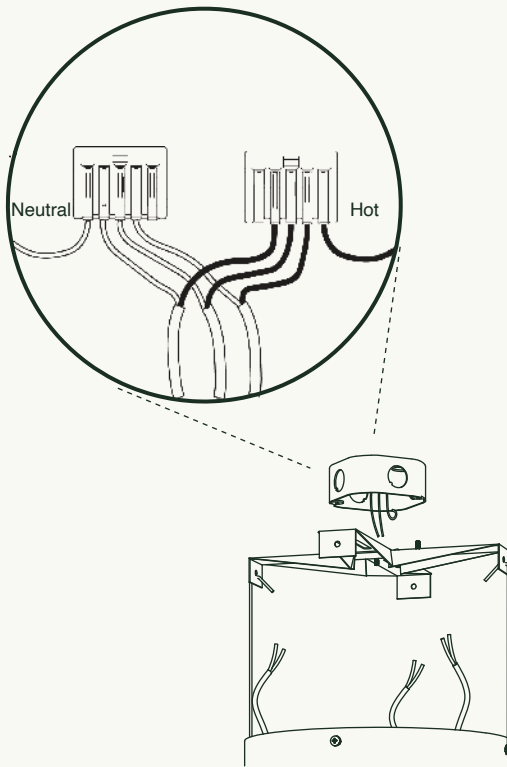
Use the two provided wire hanging hooks to hang the Canopy Ring from the Cross-Bracket. Put the bottom of the hooks into the empty screw holes in the Canopy Ring.



STEP 3

Locate the raw cord ends on the pendants.

Feed pendant cords up through conical strain reliefs, taking care not to fray the cord. Adjust to approximate desired length. Carefully cut and strip back cord ends. Tighten strain relief set screw onto cord using appropriate hex key.

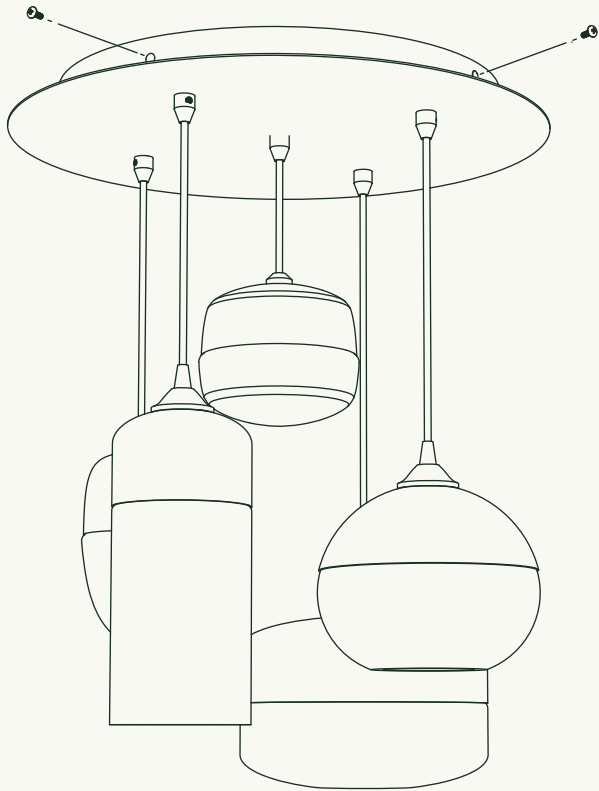


STEP 4

Connect the black pendant cord wires to the black (hot) wire from your electrical box using the included Lever Nut(s).

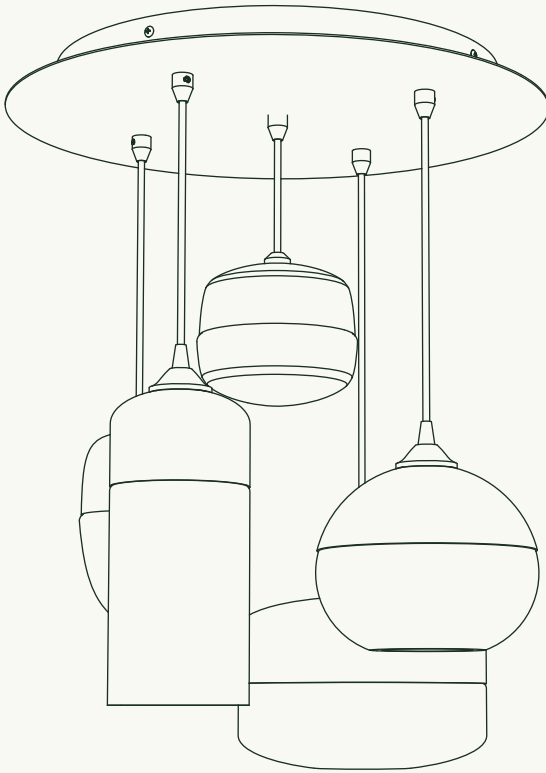
Connect the white pendant cord wires to the white (neutral) wire from your electrical box using the included Lever Nut(s).

For 5 light canopies, use the included Jumper Wires to connect multiple Lever Nuts together and make the required connections.



STEP 5

Remove the wire hanging hooks while lifting the canopy up and around the four tabs on the Cross-Bracket. Make sure all wires are tucked safely inside. Align the slotted holes on the Canopy Ring with the holes in the Cross-Bracket. Use the four Canopy Screws to join the two components together. Do not overtighten.



STEP 6

Return power to circuit.