

H E N N E P I N M A D E

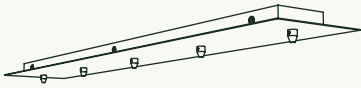
INSTALLATION INSTRUCTIONS

Rectangular Multi-Pendant Canopy



These instructions describe 120V Multi-Pendant Canopy Installation for various quantities of pendants. Quantities shown in illustrations may not match your product exactly.

Fasteners for securing canopy to ceiling are not included.

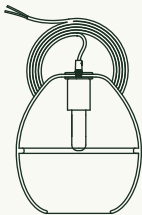


Canopy Assembly (assembled)
(QTY 1)

Includes: Ceiling Pan (x1), Canopy Frame (x1), Faceplate (x1), Ground Screw (x1), Canopy Screws (x10), Hex Nuts (xPendant Quantity), Washers (xPendant Quantity), and Strain Relief (xPendant Quantity).



Mounting Hooks
(QTY 4)



Pendants
5 Light (QTY 5)
7 Light (QTY 7)
8 Light (QTY 8)



Lever Nut
5 Light (QTY 4)
7 Light (QTY 4)
8 Light (QTY 6)

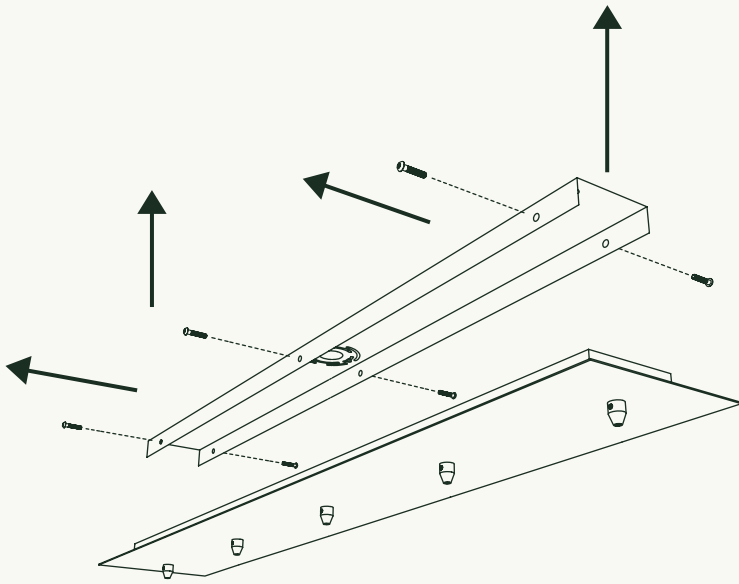


Jumper Wire
5 Light (QTY 1 pair)
7 Light (QTY 1 pair)
8 Light (QTY 2 pair)

Please consult a licensed electrician before installation.
Incorrect installation or failure to follow care instructions will void warranty.

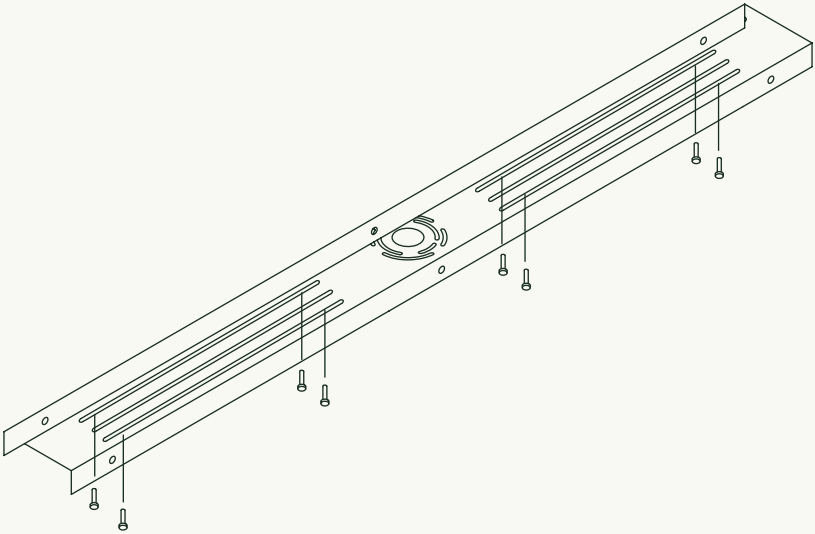
DANGER: ELECTRIC SHOCK RISK.

Turn off electrical power before beginning installation.



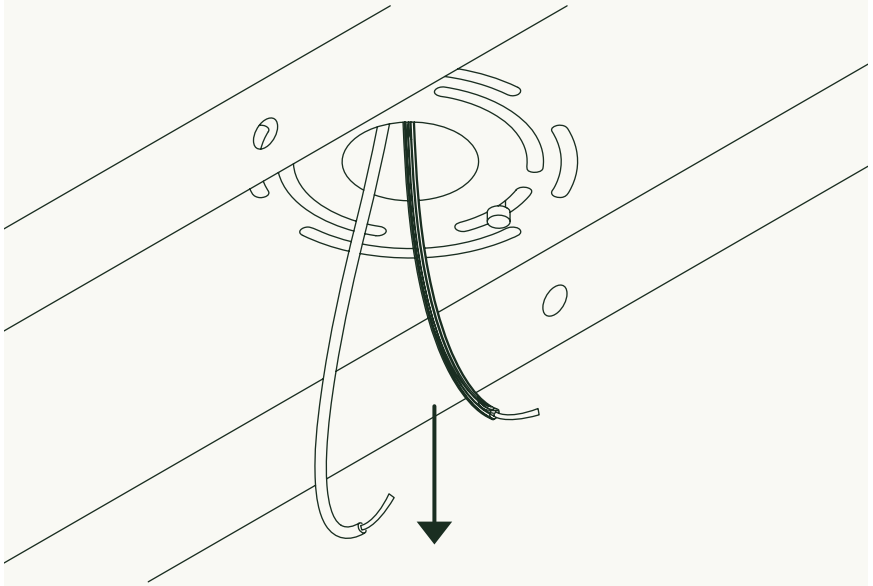
STEP 1

Remove Canopy Screws and remove Ceiling Pan from Canopy Assembly.



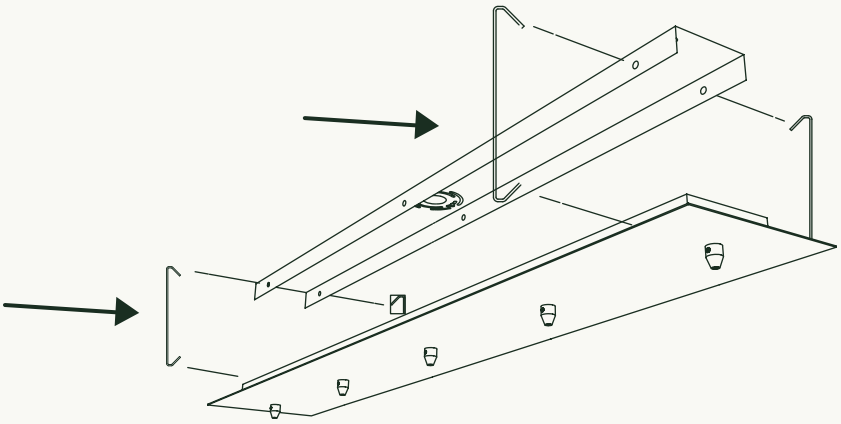
STEP 2

Mount Ceiling Pan to ceiling through the slots using appropriate mounting hardware. Position the center hole in the Ceiling Pan over the J-Box. Note: Suggested Mounting shown. Fasteners not included.



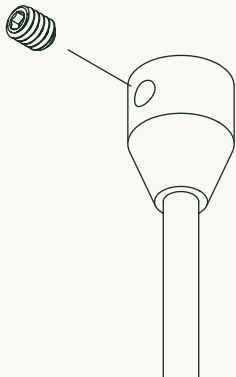
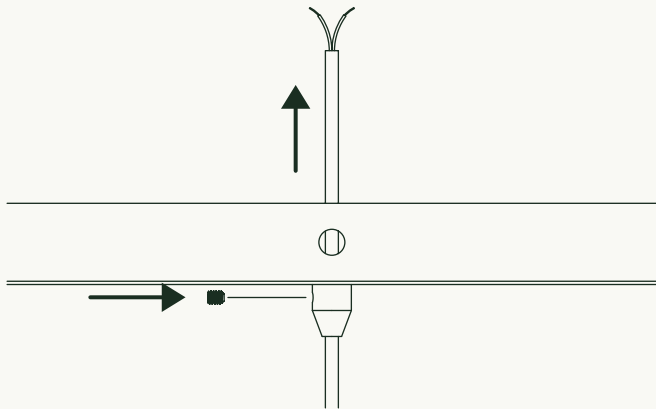
STEP 3

Attach the ground wire in the J-Box to the Ceiling Pan with the green Ground Screw. Pull black (hot) and white (neutral) conductors through the center hole.



STEP 4

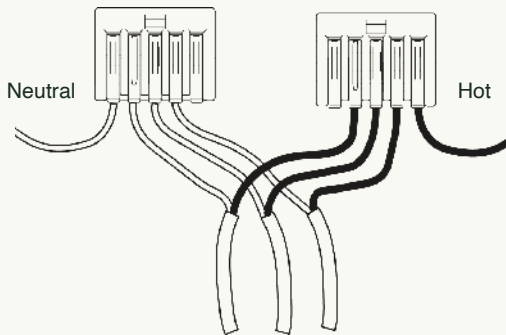
Use the four provided wire hanging hooks to hang the Canopy from the Ceiling Pan. Put the ends of the hooks into the empty holes in the Canopy Frame and Ceiling Pan.



STEP 5

Locate the raw cord ends on the pendants included.

Feed pendant cords up through conical strain reliefs, taking care not to fray the cord. Adjust to approximate desired length. Carefully cut and strip back cord ends. Tighten strain relief set screw onto cord using appropriate hex key.

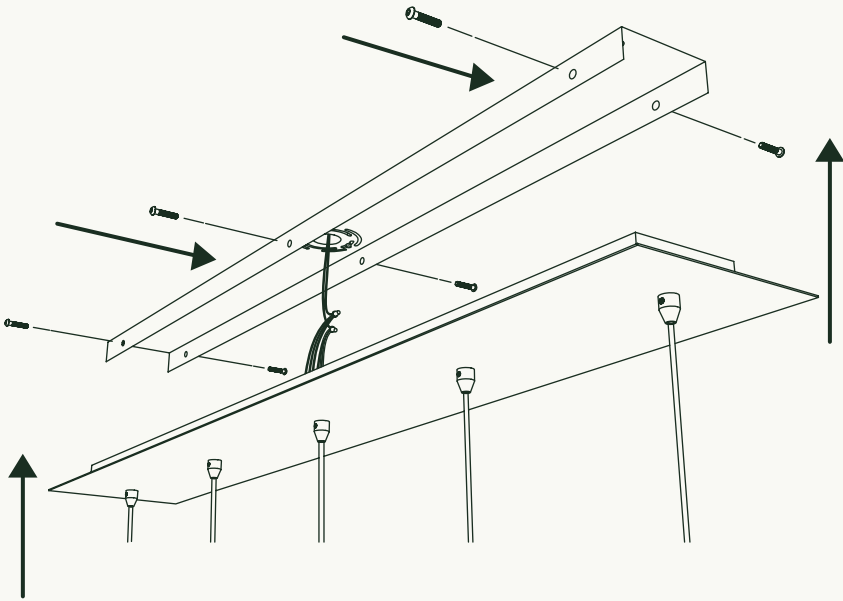


STEP 6

Connect the black pendant cord wires to the black (hot) wire from your electrical box using the included Lever Nut(s).

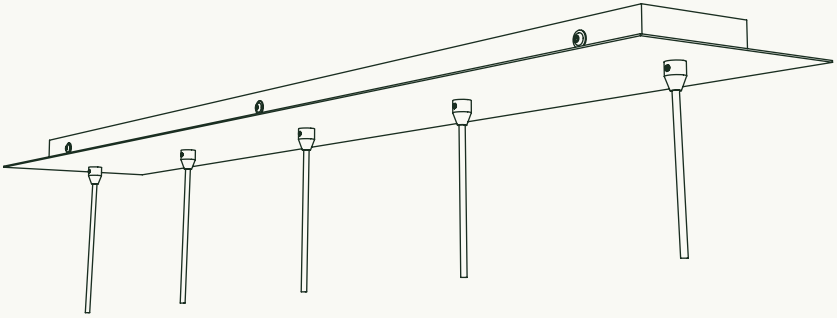
Connect the white pendant cord wires to the white (neutral) wire from your electrical box using the included Lever Nut(s).

Use the included Jumper Wires to connect multiple Lever Nuts together and make the required connections.



STEP 7

Remove the wire hanging hooks while lifting the canopy up and over the Ceiling Pan. Make sure all wires are tucked safely inside. Align the screw holes on the Canopy Frame with the threaded holes in the Ceiling Pan. Use the Canopy Screws to join the two components together. Do not overtighten.



STEP 8

Return power to circuit.