

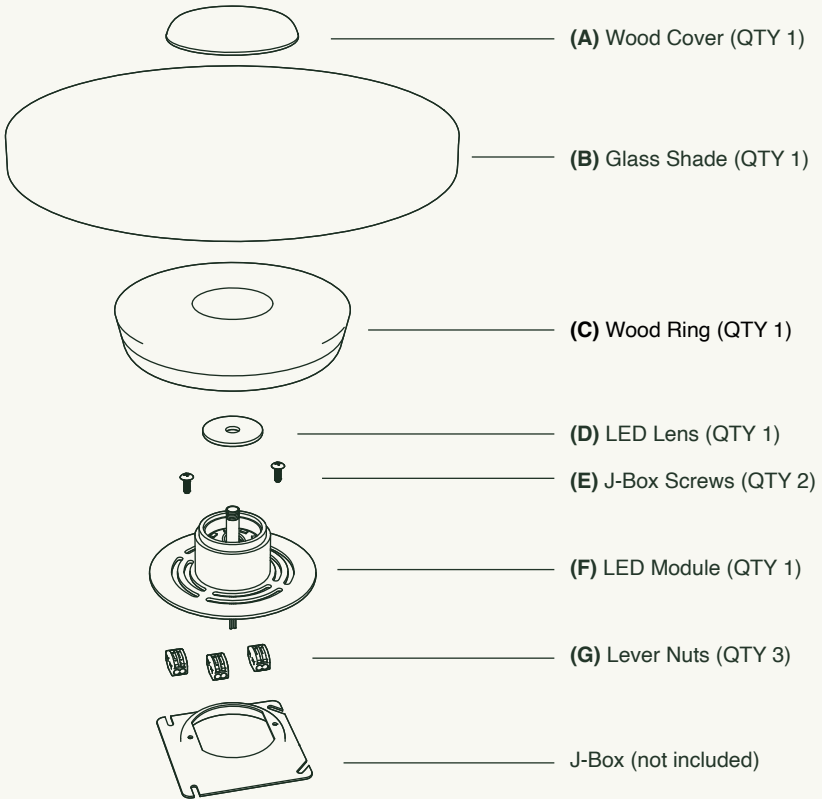
H E N N E P I N M A D E

INSTALLATION INSTRUCTIONS

# Bruma Sconce



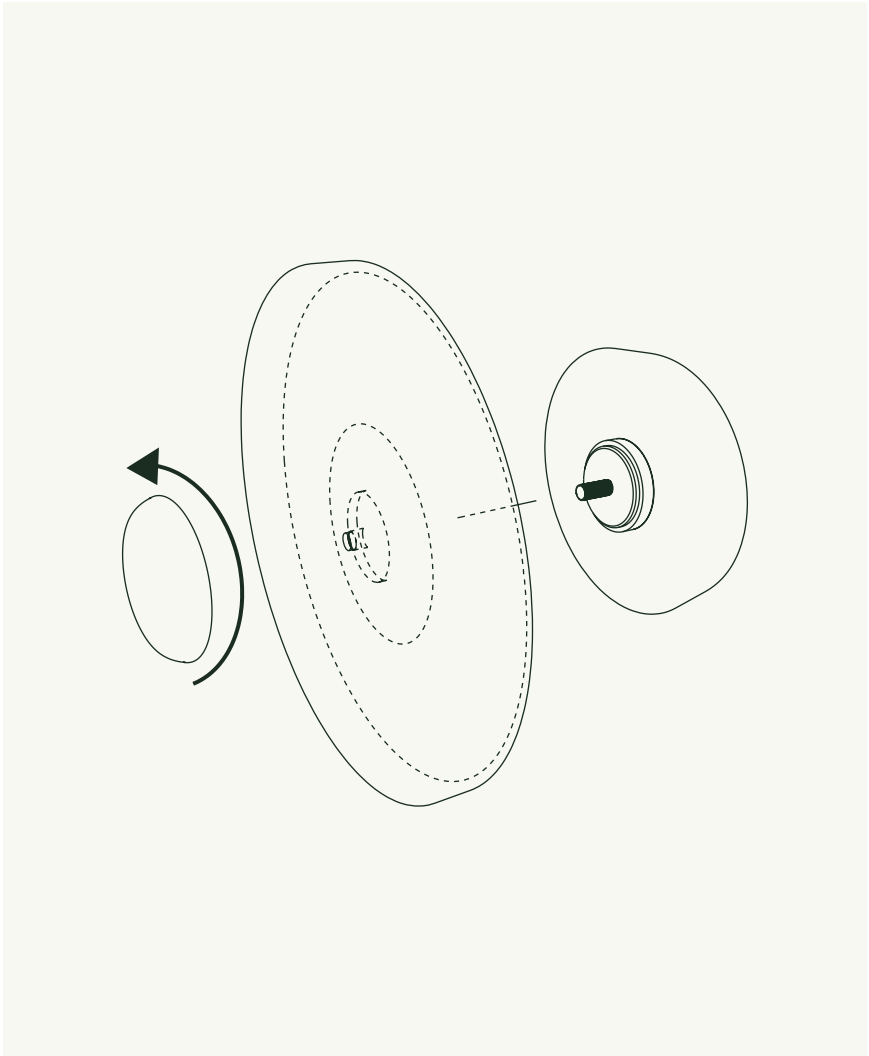
This light fixture comes fully assembled to protect components in shipping. Some disassembly is required for installation.



Please consult a licensed electrician before installation.  
Incorrect installation or failure to follow care instructions will void warranty.

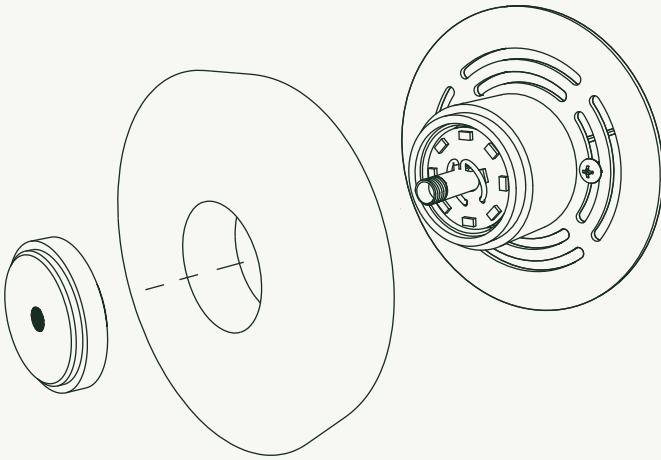
**DANGER: ELECTRIC SHOCK RISK.**  
Turn off electrical power before beginning installation.

H E N N E P I N M A D E



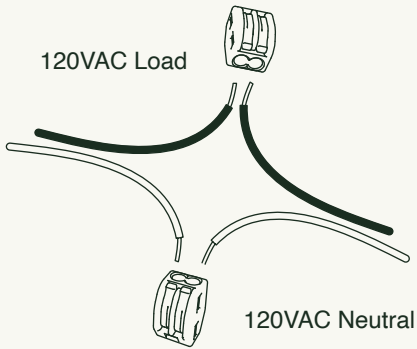
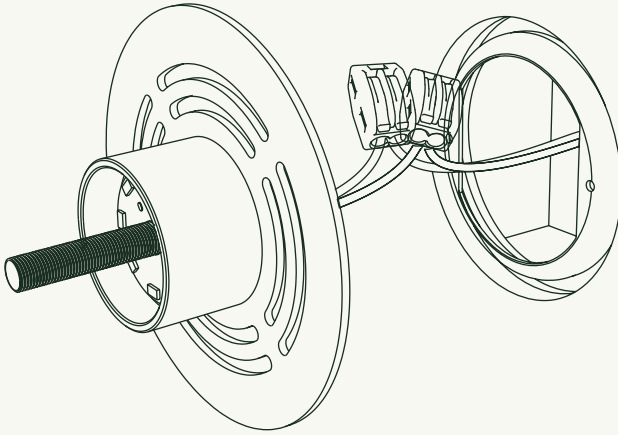
**STEP 1**

Unscrew Wood Cover **(A)** and slide Glass Shade **(B)** off of pipe.



**STEP 2**

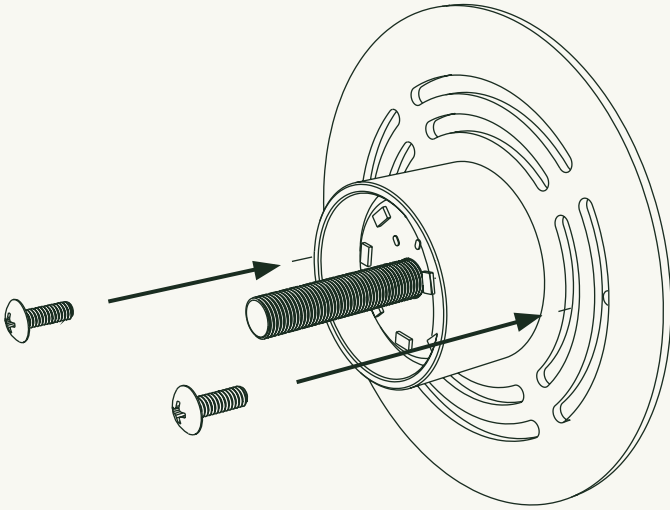
Slide LED Lens (D) and Wood Ring (C) off of LED Module (F).



### STEP 3

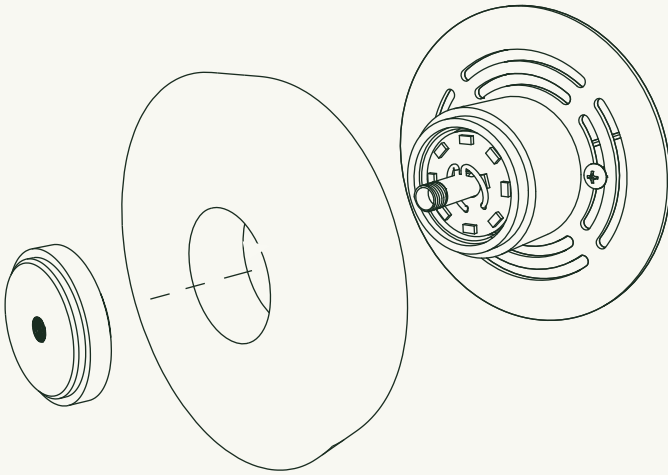
Using Lever Nuts (**G**), connect LED Module (**F**) to 120VAC power.

Connect green ground wire to J-Box ground.



#### **STEP 4**

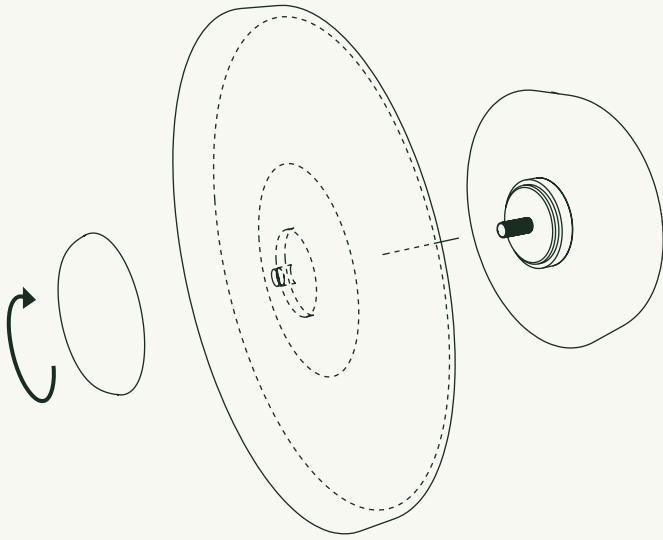
Attach LED Module **(F)** to standard 4" J-Box with two J-Box Screws **(E)** through the universal crossbar.



### **STEP 5**

Slide Wood Ring (C) onto LED Module (F). Slide LED Lens (D) onto LED Module (F) until Wood Ring is secured to the wall.

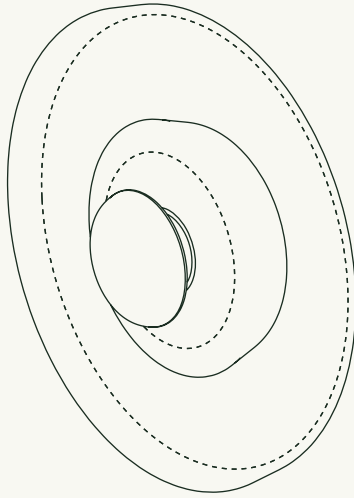
**Note:** LED Lens is directional. Smaller diameter side faces LED Module.



### STEP 6

Slide on Glass Shade **(B)** and twist Wood Cover **(A)** onto pipe until finger tight.





**STEP 7**

Return power to circuit.