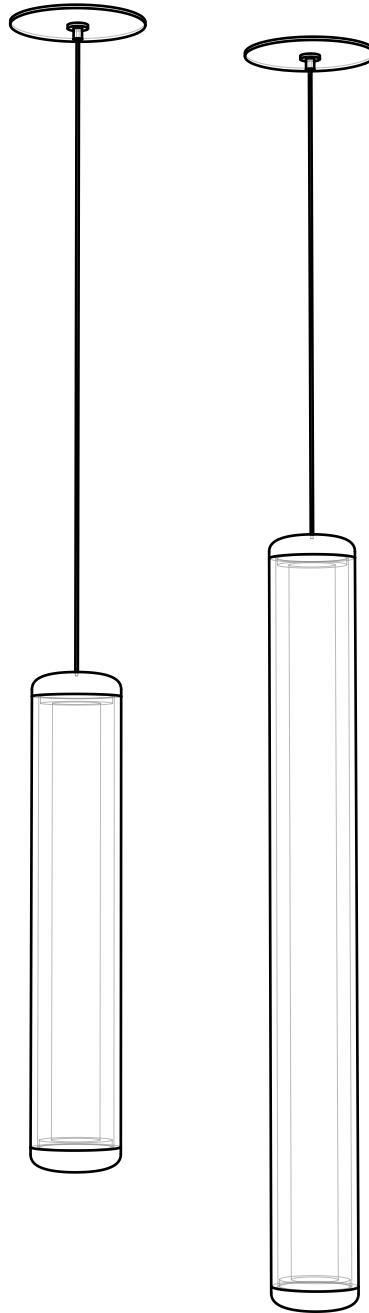


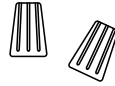
CELESTE PENDANT



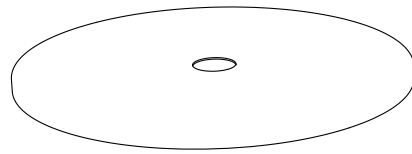
DRAWINGS ARE NOT TO SCALE. PLEASE CONSULT A LICENSED ELECTRICIAN BEFORE INSTALLATION. DRAWINGS ARE FOR REFERENCE ONLY AND ARE SUBJECT TO PRODUCT REVISIONS. J-BOX AND J-BOX SCREWS ARE NOT INCLUDED.

PARTS INCLUDED

**CELESTE
PENDANT**
QTY 1



WIRE NUT
QTY 4



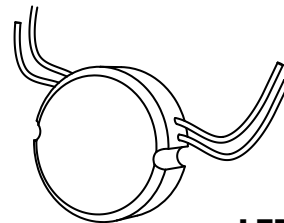
CANOPY
QTY 1



J-BOX CROSSBAR
QTY 1



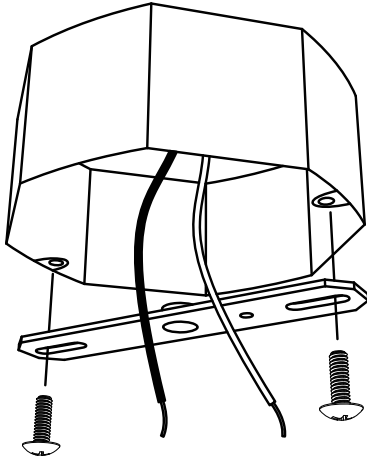
HEX NUT
QTY 1



**LED
DRIVER**
QTY 1



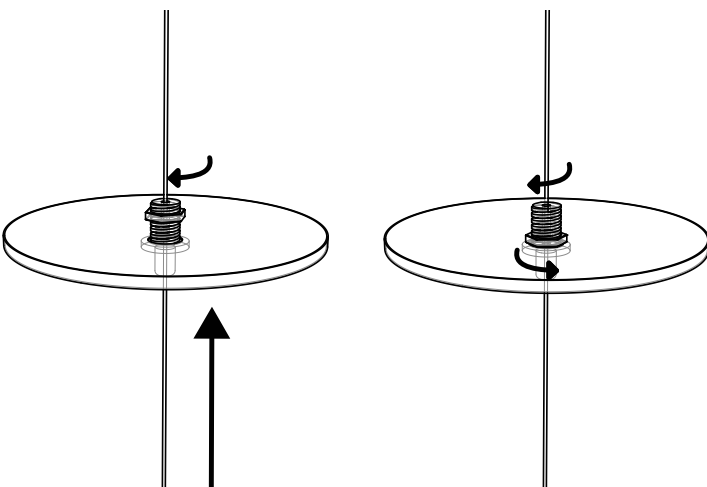
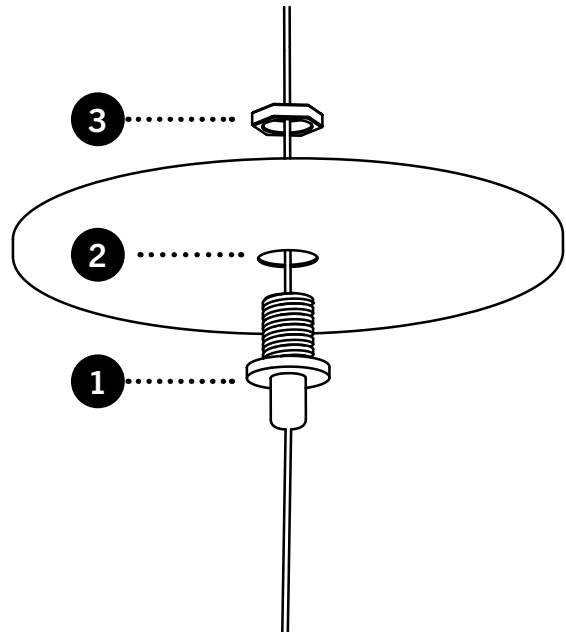
CAUTION: PRIOR TO BEGINNING INSTALLATION, CUT ELECTRICAL POWER TO J-BOX.



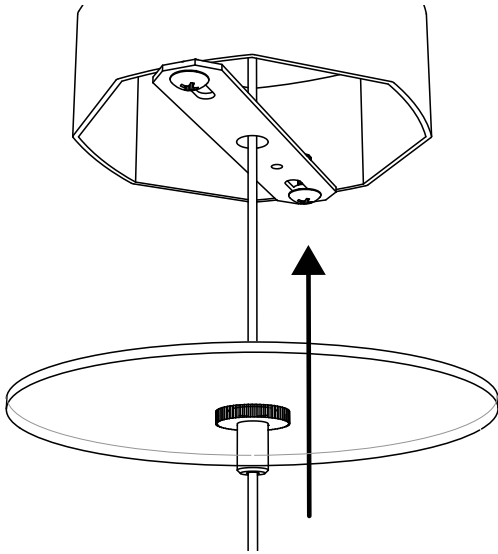
1. Fasten crossbar to junction box using the appropriate screws. Junction box screws not included.

2. Thread cable and cable gripper through the 5" canopy and canopy parts in the order shown.

1. Cable Gripper
2. Canopy
3. Hex Nut

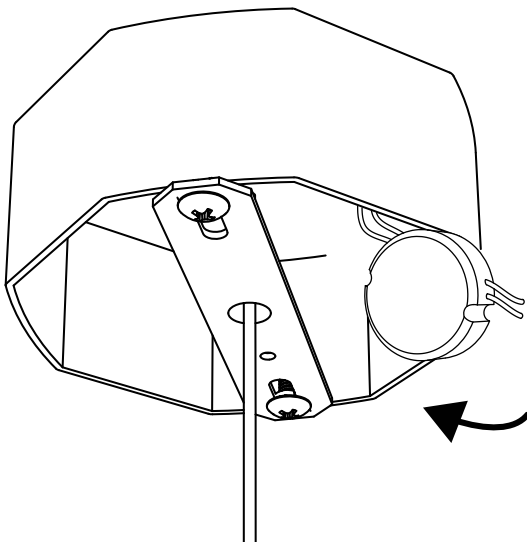
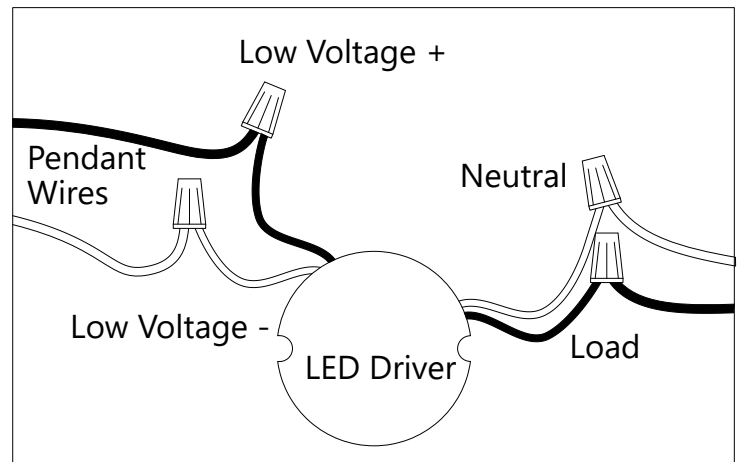


3. Tighten parts by holding cable gripper with one hand and each subsequent part with the other, twisting components away from center.

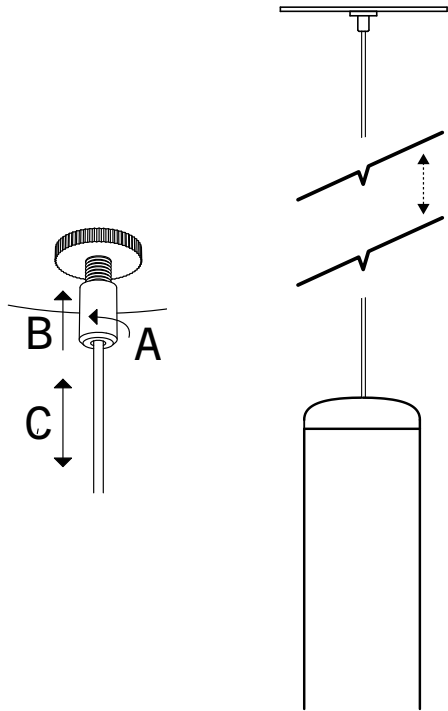


4. Thread cable through crossbar

- 5. Wire LED driver to pendant cable using the wire nuts, connecting the braided sheath to V- and connecting the inner wire to V+.
- 6. Wire LED driver to 110v-130v AC input using grey wire nuts.



7. Place wired LED driver in junction box.

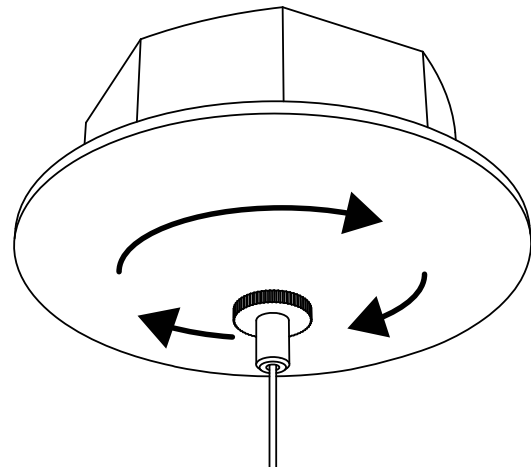
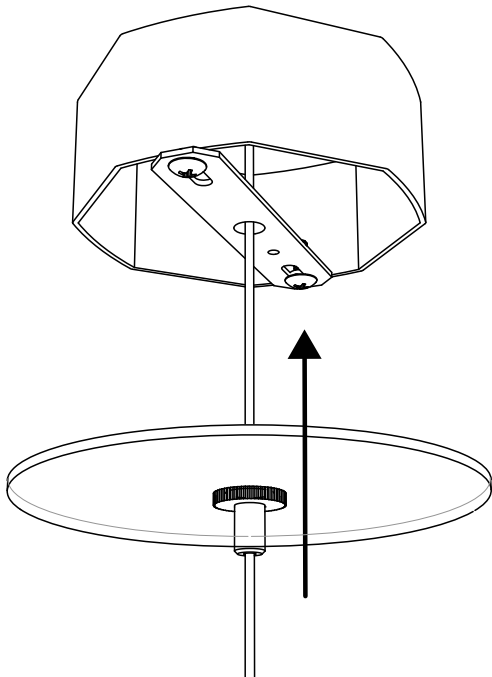


8. Set approximate cord length close to eventual pendant height. Loosely coil extra cord inside of canopy.

Adjust pendant light to desired height as follows:

- A. Loosen cable gripper bushing by twisting counter-clockwise.
- B. Push cable gripper bushing up (it is spring loaded).
- C. Pull cable in either direction to adjust.

Tighten cable gripper bushing when finished.



9. Fasten canopy to junction box by threading the cable gripper threads into the crossbar.

10. While holding the cable gripper, twist canopy assembly tight against ceiling.

11. Return power to circuit, turn on your Hennepin Made light(s) and enjoy.

