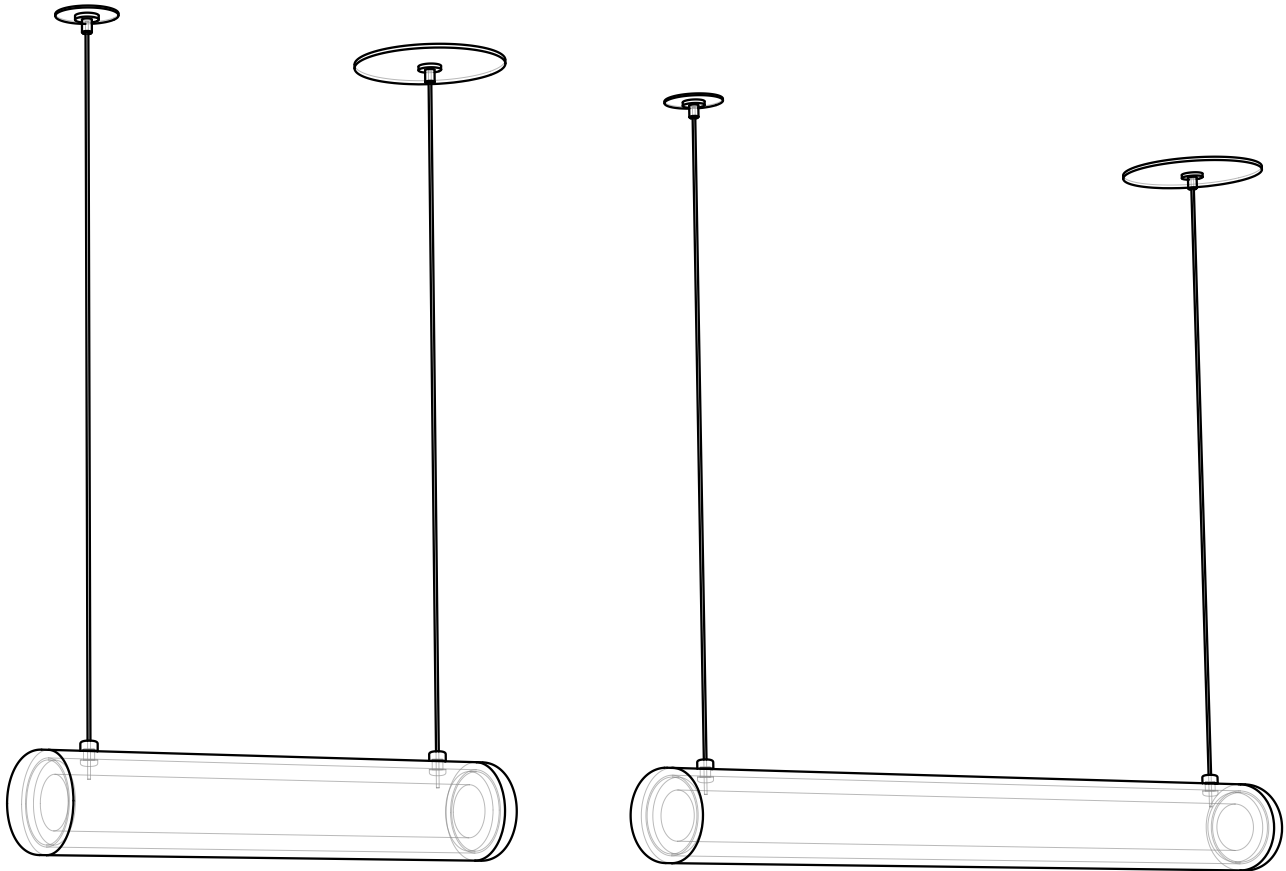
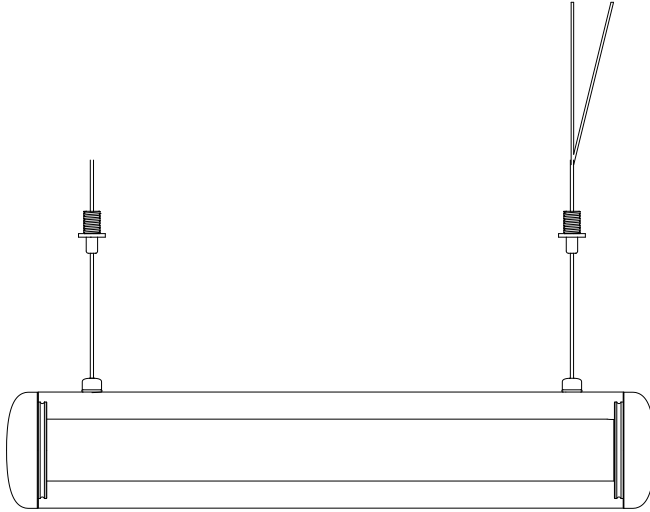


CELESTE PENDANT - LINEAR

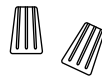


DRAWINGS ARE NOT TO SCALE. PLEASE CONSULT A LICENSED ELECTRICIAN BEFORE INSTALLATION. DRAWINGS ARE FOR REFERENCE ONLY AND ARE SUBJECT TO PRODUCT REVISIONS. J-BOX AND J-BOX SCREWS ARE NOT INCLUDED.

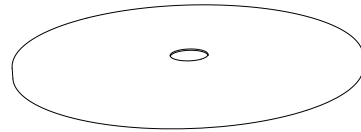
PARTS INCLUDED



**CELESTE LINEAR
PENDANT**
QTY 1



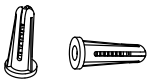
WIRE NUT
QTY 4



CANOPY
QTY 1



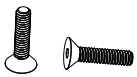
J-BOX CROSSBAR
QTY 1



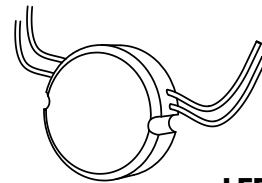
**DRYWALL
ANCHOR**
QTY 2



HEX NUT
QTY 1



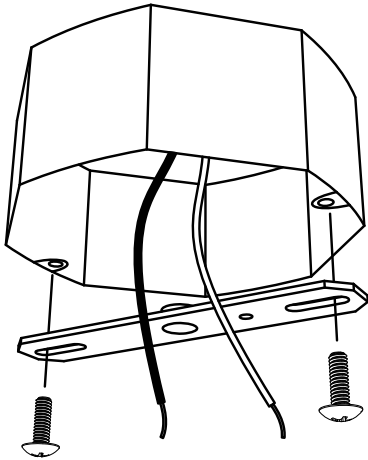
**#10-24 HEX
SCREWS**
QTY 2



**LED
DRIVER**
QTY 1



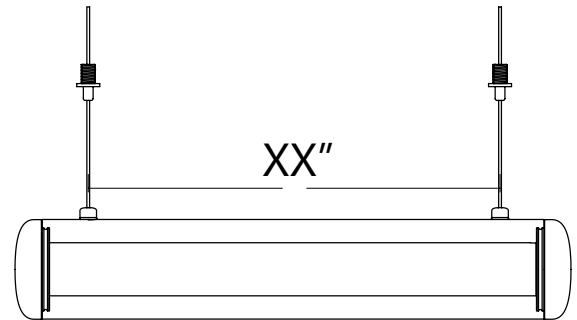
FLANGE
QTY 1



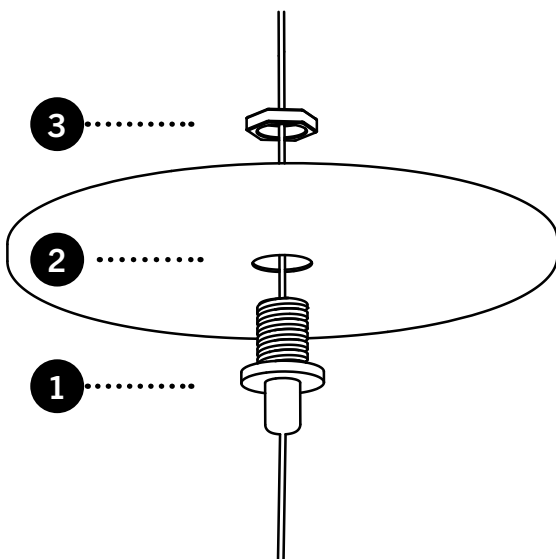
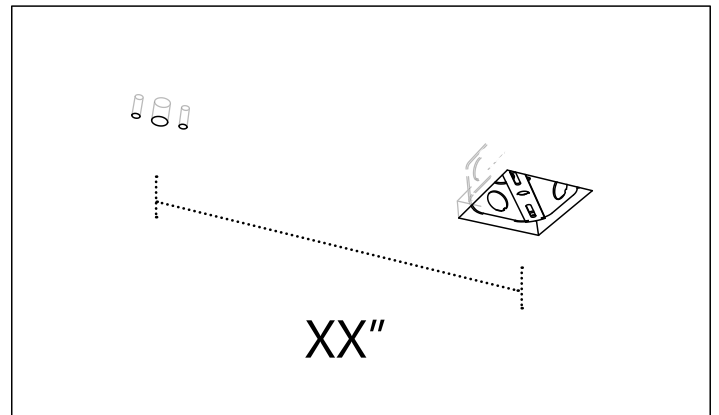
CAUTION: PRIOR TO BEGINNING INSTALLATION, CUT ELECTRICAL POWER TO J-BOX.

INSTRUCTIONS FOR POWER: J-BOX SIDE

1. Fasten crossbar to junction box using the appropriate screws. Junction box screws not included.

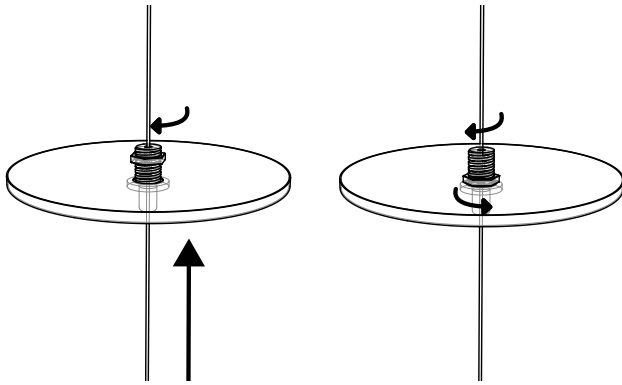


2. Measure length between bushings on fixture. Translate length to desired position of fixture after installation on ceiling, measuring from center of J-Box crossbar to final destination, to mark where non-power side will be installed.



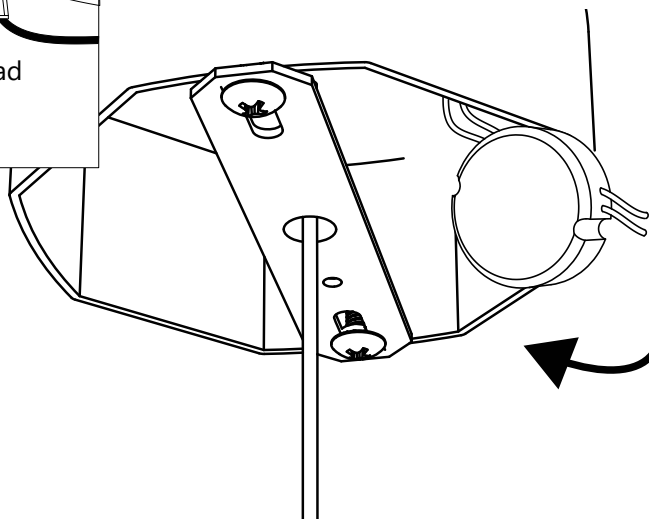
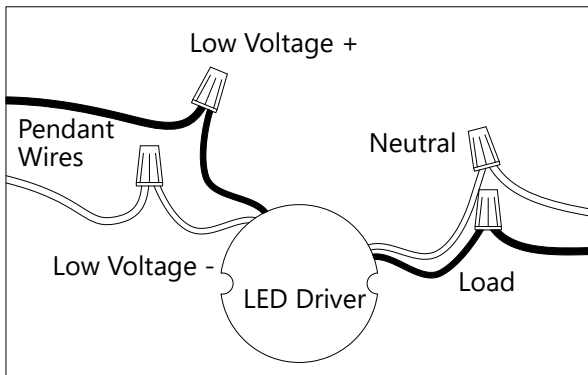
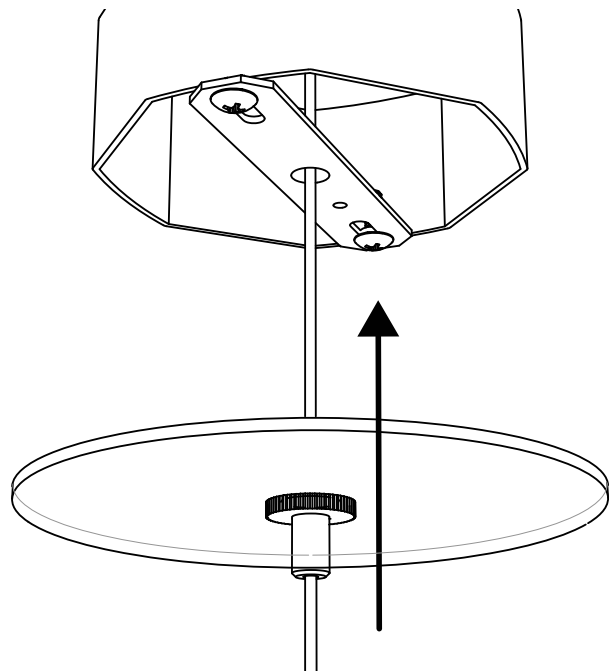
3. Thread cable and cable gripper through the 5" canopy and canopy parts in the order shown.

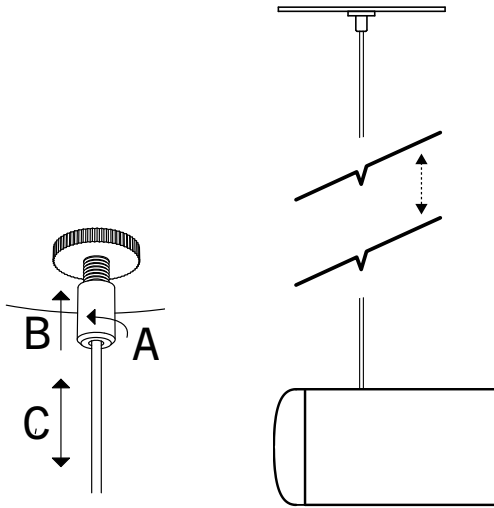
1. Cable Gripper
2. Canopy
3. Hex Nut



4. Tighten parts by holding cable gripper with one hand and each subsequent part with the other, twisting components away from center.
5. Thread cable through crossbar.

6. Wire LED driver to pendant cable using the wire nuts, connecting the braided sheath to V- and connecting the inner wire to V+.
7. Wire LED driver to 110v-130v AC input using grey wire nuts. See diagram below.
8. Place wired LED driver in junction box.



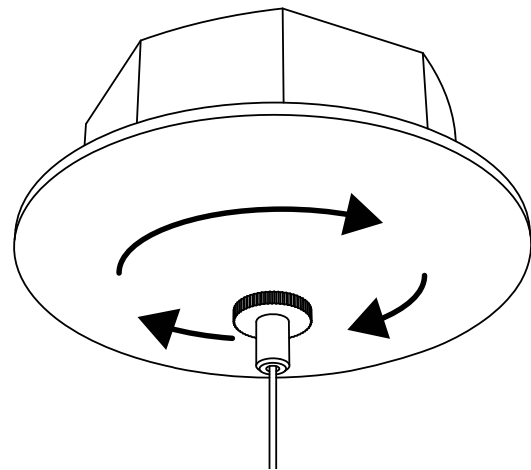
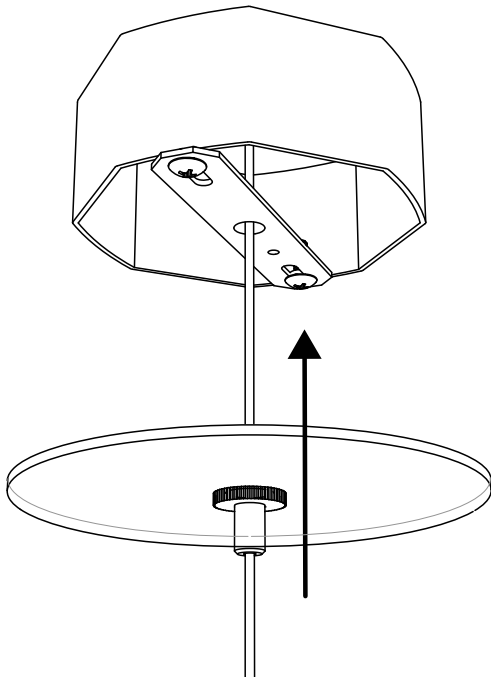


9. Set approximate cord length close to eventual pendant height. Loosely coil extra cord inside of canopy.

Adjust pendant light to desired height as follows:

- A. Loosen cable gripper bushing by twisting counter-clockwise.
- B. Push cable gripper bushing up (it is spring loaded).
- C. Pull cable in either direction to adjust.

Tighten cable gripper bushing when finished.



10. Fasten canopy to junction box by threading the cable gripper threads into the crossbar.

11. While holding the cable gripper, twist canopy assembly tight against ceiling.



INSTRUCTIONS FOR NON-POWER SIDE

12. Drill 1/2" large center opening in ceiling to receive the second cable gripper for the non-power cable on the mark measured from step 2.*

13. Using flange as a guide, center flange over the opening and create guide marks for for the provided drywall anchors with a pencil or other marking device.*

14. Drill 1/4" holes and insert drywall anchors.*

15. Adjust cable to approximate height and thread cable gripper into the flange. Refer to cable gripper instructions for power side for more details.

16. Secure flange into ceiling using provided #10-24 hex screws.

17. Level and adjust the pendant using cable grippers on either side. Refer to cable gripper instructions for power side for more details.

18. Return power to circuit, turn on your Hennepin Made light(s) and enjoy.

*Only applicable if installing into a drywall ceiling.

