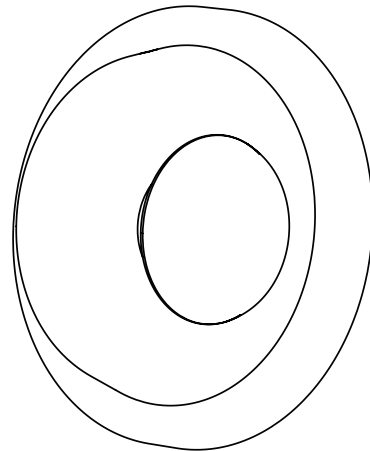
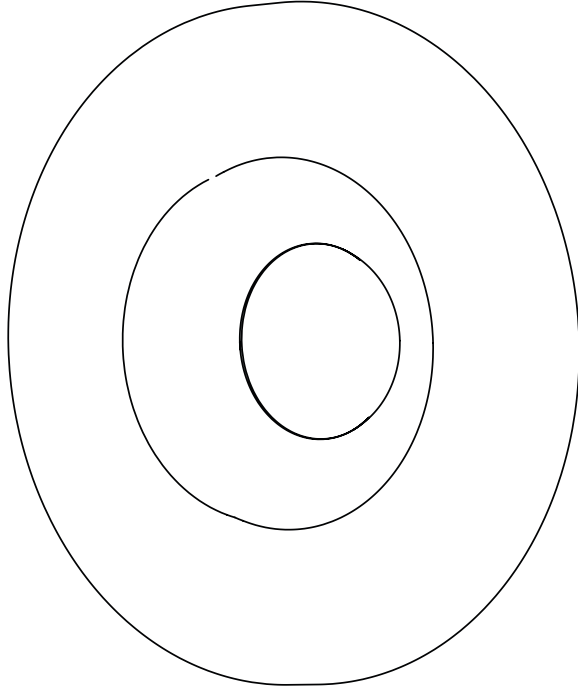


# BRUMA COLLECTION

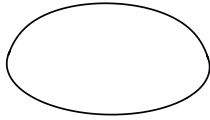
---



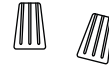
**DRAWINGS ARE NOT TO SCALE. PLEASE CONSULT A LICENSED ELECTRICIAN BEFORE INSTALLATION. DRAWINGS ARE FOR REFERENCE ONLY AND ARE SUBJECT TO PRODUCT REVISIONS. J-BOX AND J-BOX SCREWS ARE NOT INCLUDED.**

# PARTS INCLUDED

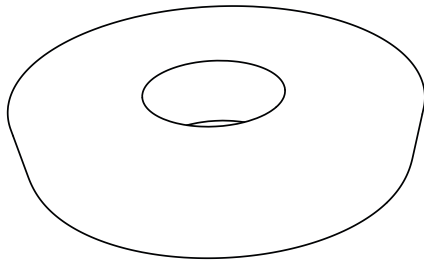
---



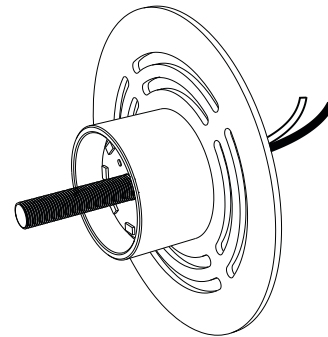
**WOOD COVER**  
QTY 1



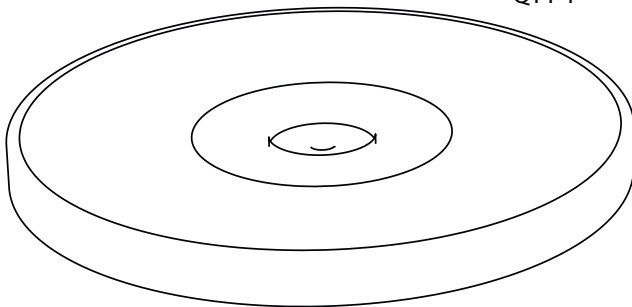
**WIRE NUT**  
QTY 2



**WOOD RING**  
QTY 1



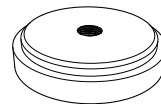
**LED MODULE**  
QTY 1



**CAST GLASS SHADE**  
QTY 1

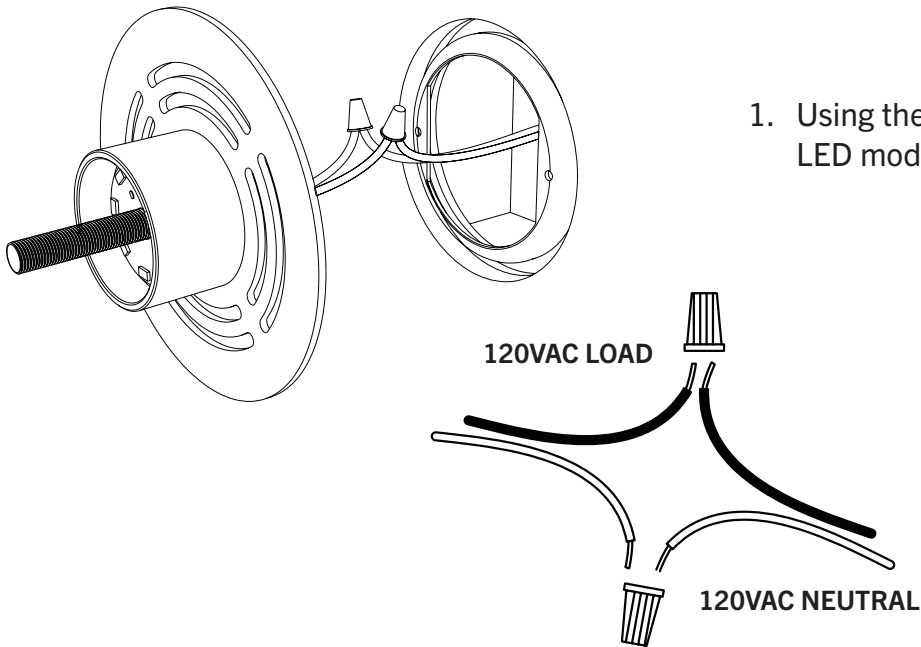


**#8-32 SCREWS**  
QTY 2



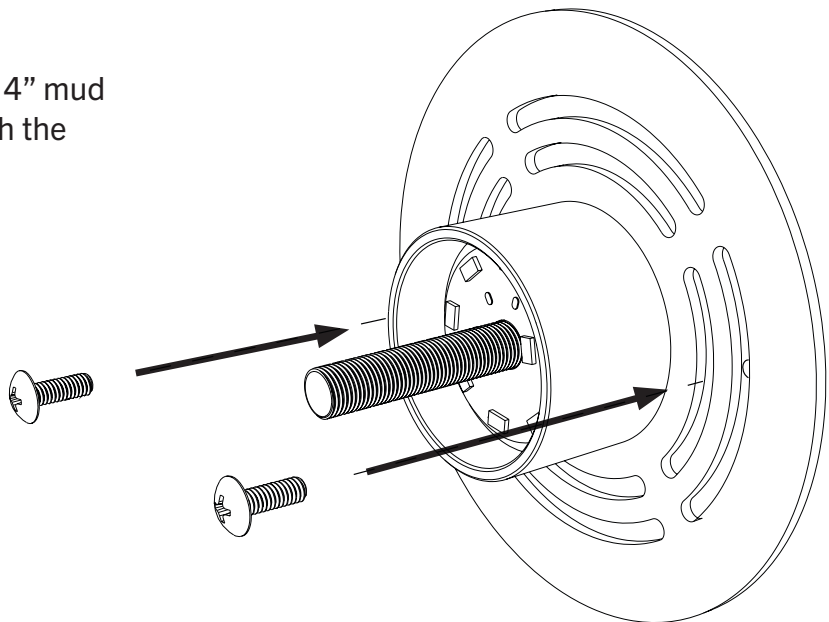
**LED DIFFUSER**  
QTY 1

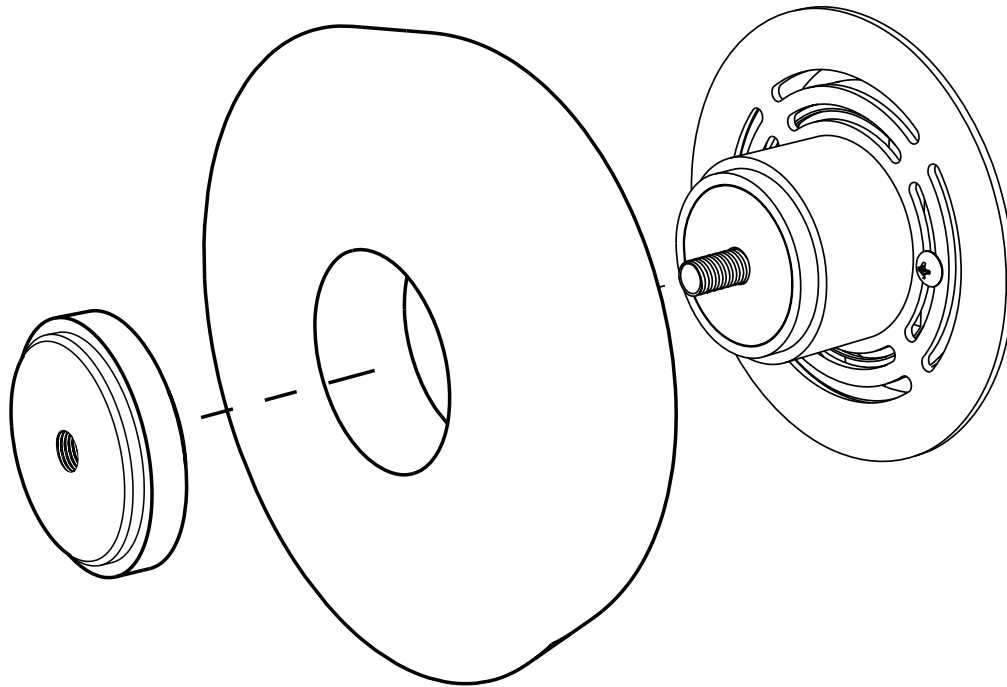
**CAUTION: PRIOR TO BEGINNING INSTALLATION, CUT ELECTRICAL POWER TO J-BOX!**



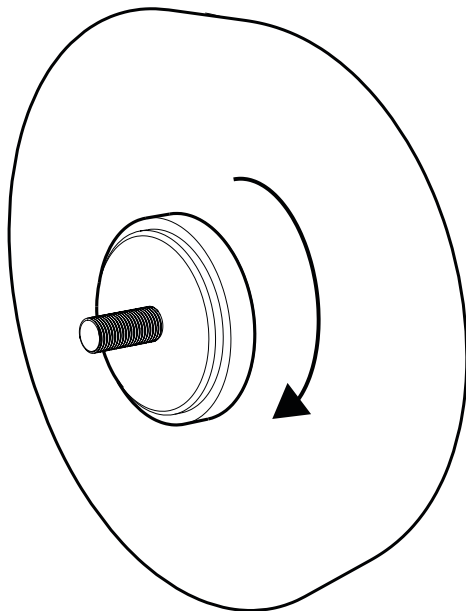
1. Using the provided wire nuts, connect the LED module to 120VAC power.

2. Attached LED module to standard 4" mud ring with two #8-32 screws through the universal crossbar.

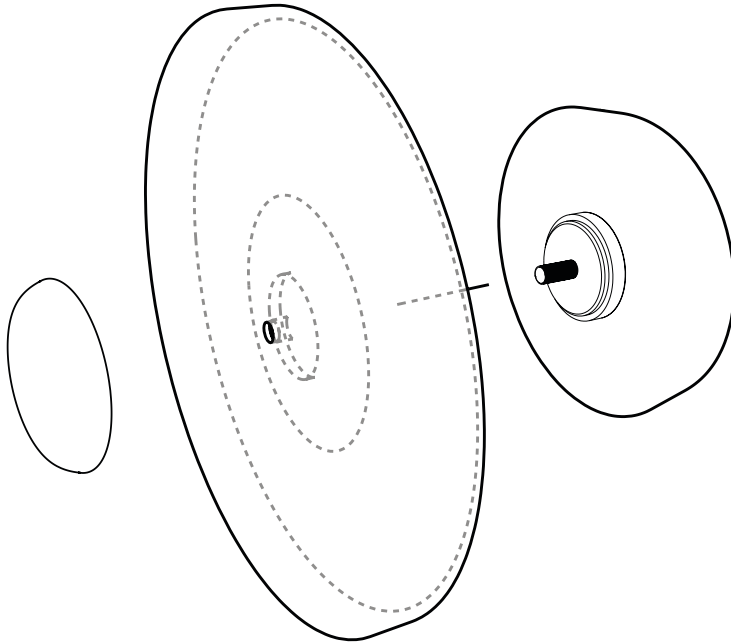




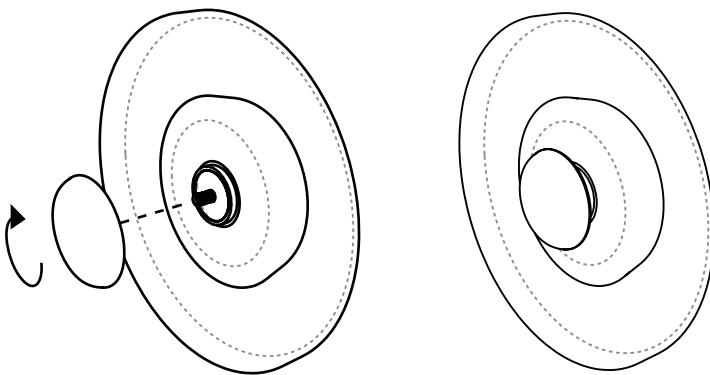
3. Slide Wood Ring onto LED module.



4. Thread Acrylic Lens onto LED module until Wood Ring is secured to the wall.



5. Slide on Cast Glass Shade and twist Wood Cover onto pipe until finger tight.



6. Return power to circuit and enjoy your Hennepin Made light!