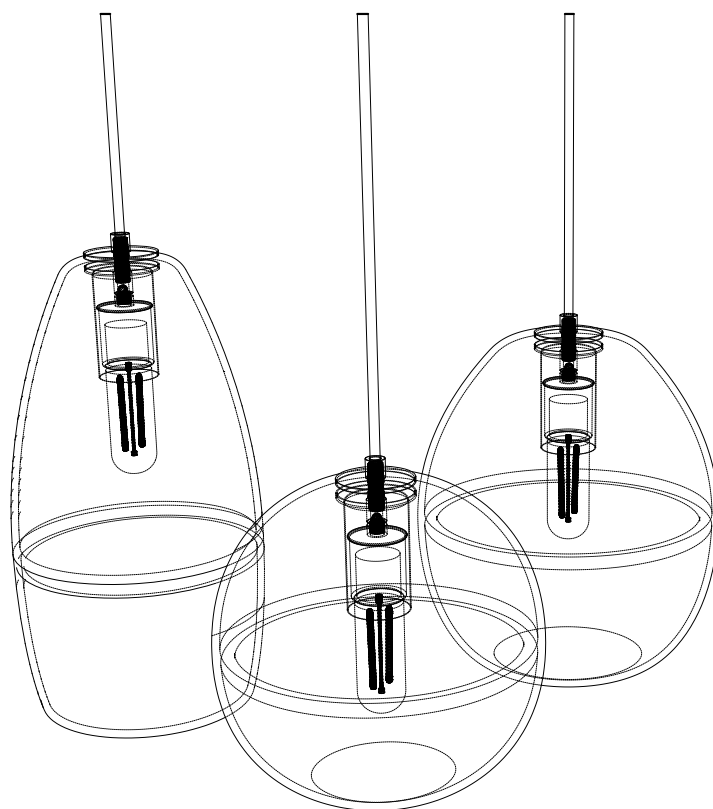
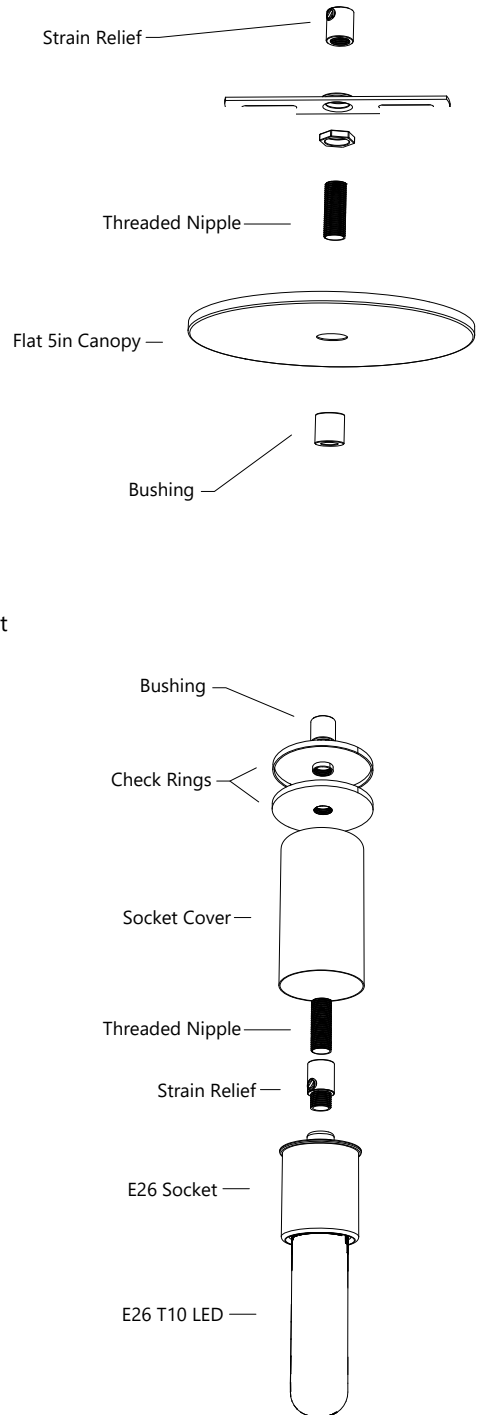
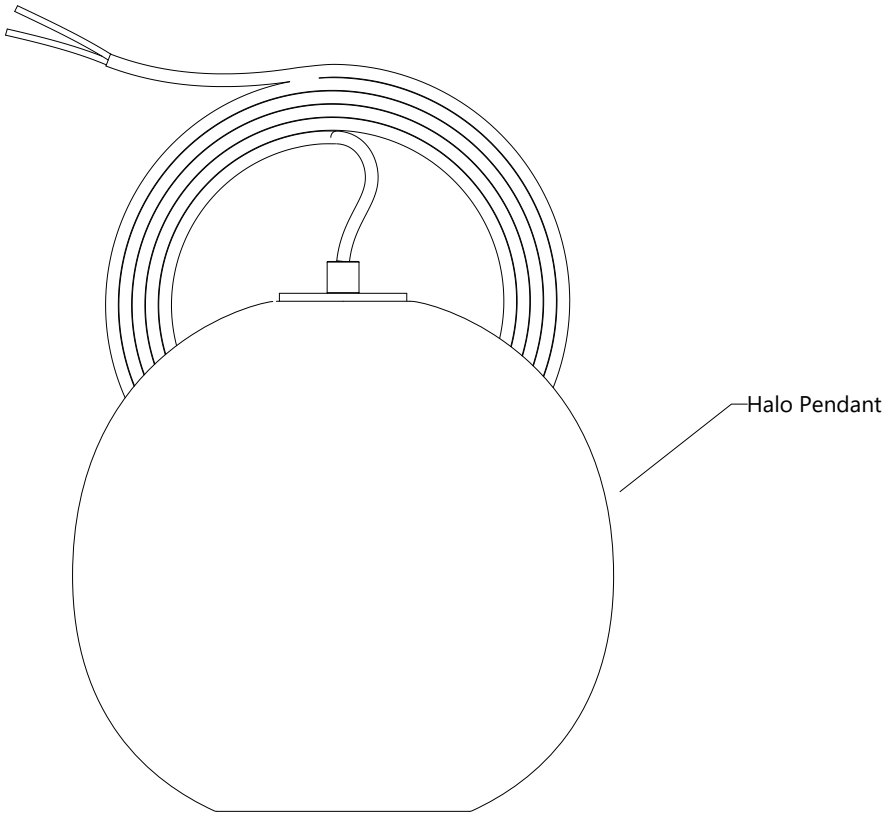


HALO PENDANT COLLECTION



DRAWINGS ARE NOT TO SCALE. PLEASE CONSULT A LICENSED ELECTRICIAN BEFORE INSTALLATION. DRAWINGS ARE FOR REFERENCE ONLY AND ARE SUBJECT TO PRODUCT REVISIONS. J-BOX AND J-BOX SCREWS ARE NOT INCLUDED.

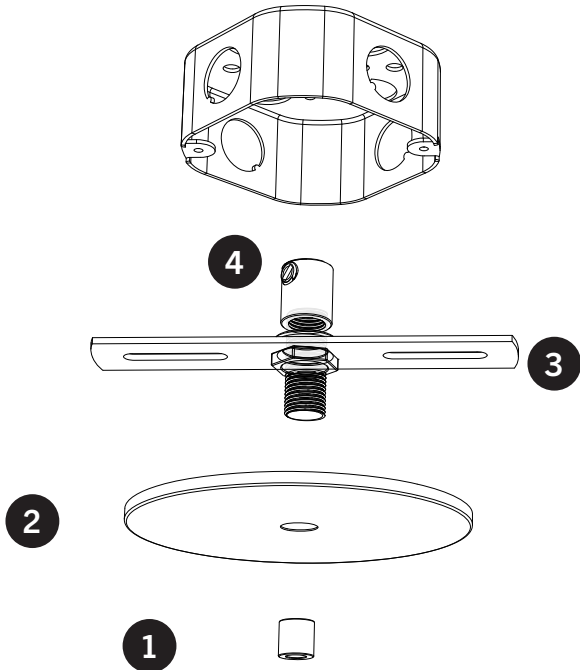
PARTS INCLUDED



ASSEMBLY INSTRUCTIONS



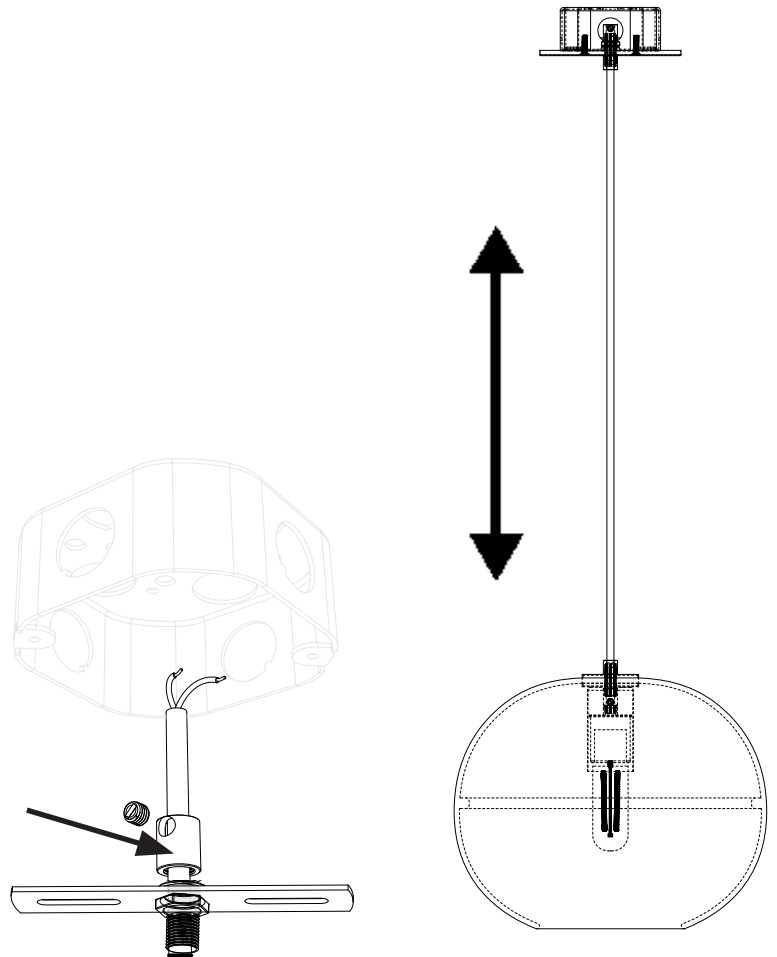
CAUTION: PRIOR TO BEGINNING INSTALLATION, CUT ELECTRICAL POWER TO J-BOX.



1. Thread cable through bushing, 5in Flat Canopy, and Crossbar Assembly as shown.
J-box screws not provided

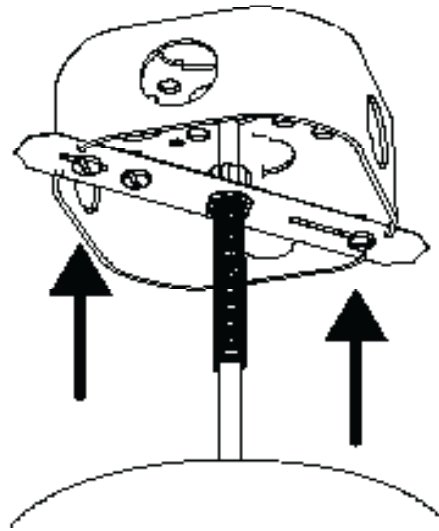
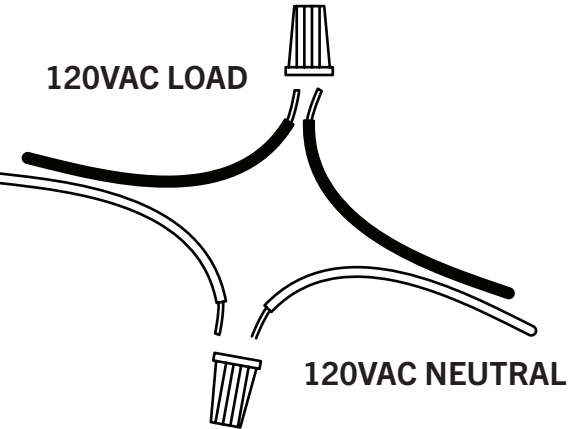
1. Bushing
2. 5in Round Canopy Plate
3. Crossbar Assembly
4. Strain Relief

2. Set crossbar assembly to desired pendant height by adjusting strain relief and tightening set screw. If cord is too long, cut cord to desired length then strip outer jacket and individual wires. Loosely coil extra cord inside of J-Box.

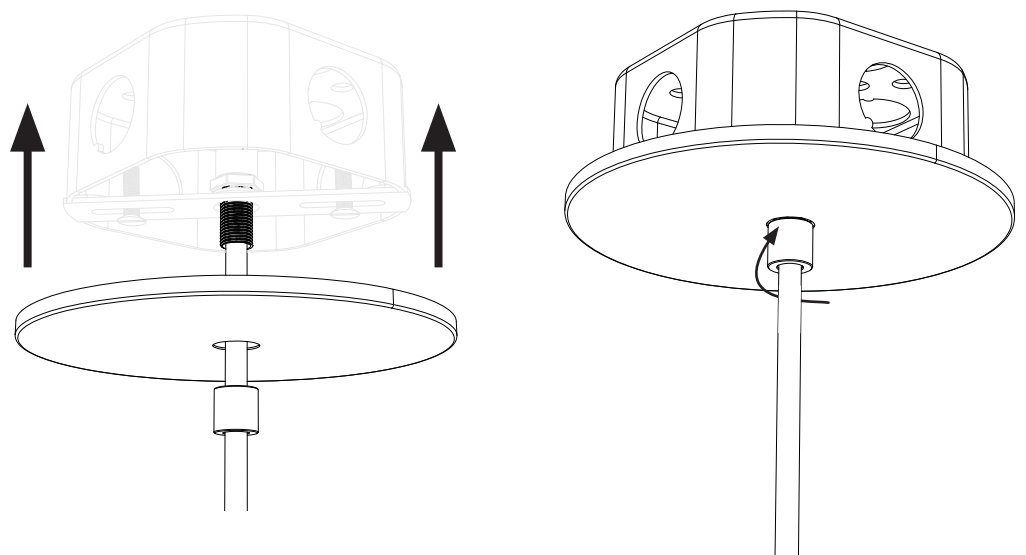




- Using wire nuts, twist wires from j-box and pendant together as shown. Wire hot to hot and neutral to neutral.
- Attach Crossbar Assembly to junction box using j-box screws through cross bar.



- Carefully slide canopy and bushing up to cross bar assembly without snagging cord. Thread bushing onto remaining length of threaded nipple until canopy is flush to ceiling and the bushing is finger tight. If threaded nipple is too long, loosen hex nut and thread the threaded nipple further up into crossbar, tightening hex nut after.



- Return power to circuit and turn on light.

CLEANING AND MAINTENANCE

**CAUTION: PRIOR TO CLEANING PENDANT
INSURE POWER HAS BEEN SWITCHED OFF**

1. Clean entire pendant with a dry, lint-free microfiber cloth or paper towel to remove dust.
3. If glass is smudged or dirty; mix one part distilled vinegar to 10 parts warm water in a spray bottle and spray your solution on the glass surfaces only. Do not use solution on metal parts or fabric cord.
4. Using a clean, lint-free microfiber cloth, softly buff solution into glass until all streaks are gone.