

WHEEL CHOCK



SARIS
INFRASTRUCTURE



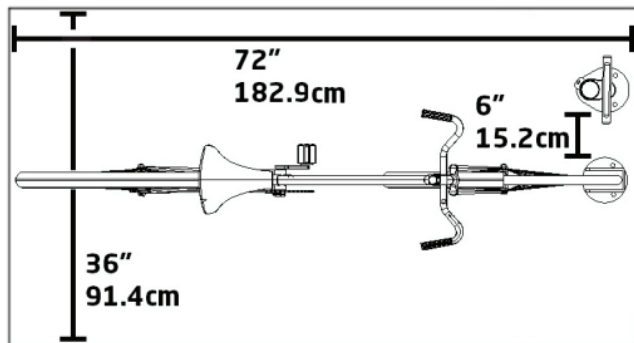
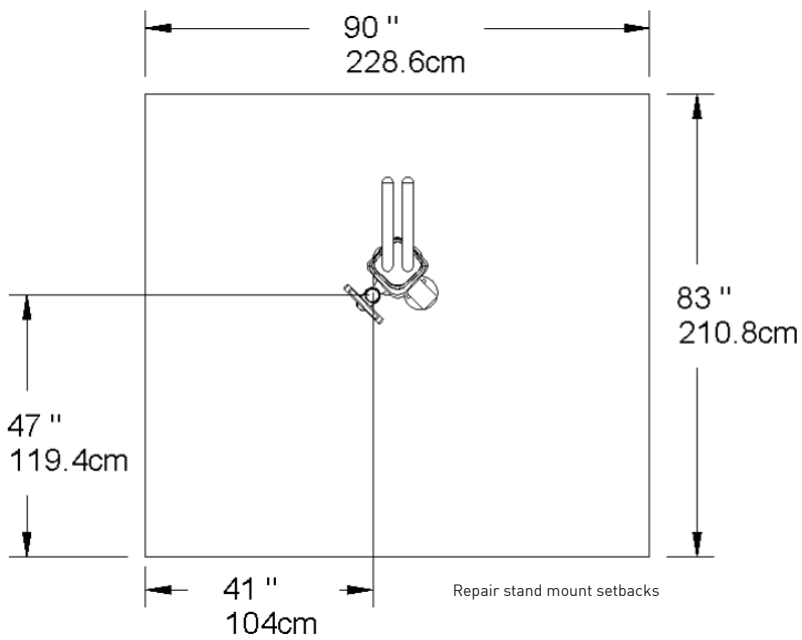
A simple design for a simple function. The Wheel Chock holds a bicycle upright, so you can more easily inflate tires or make minor adjustments. Universal mounting means that the Chock can be mounted to the ground with one of our pumps or mounted directly to our Deluxe Public Work Stand. The stylish wheel shaped cut-outs on the sides of the Wheel Chock provide a visual indication of what it's for.

Product Specifications

- Supports bikes without kickstands while inflating tires or making repairs
- Tire friction stops roll-back, upright position eliminates trip hazard
- Accommodates tires up to 2.75" and wheel diameters up to 29"
- Cannot lock bikes to the Wheel Chock to keep available for service
- ADA compliant

Wheel Chock

Recommended Setbacks



Floor mount setbacks with pump



Powder Coat
Stainless Steel



Installation hardware
included



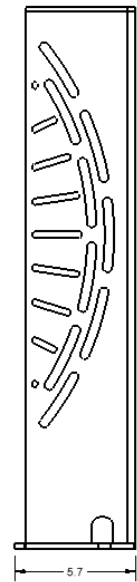
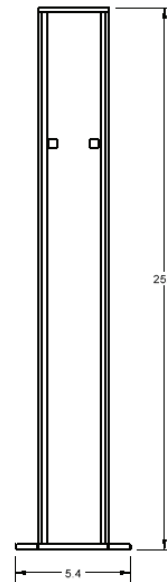
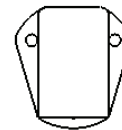
2 year
warranty



Made in
the USA



Standard Powder Coat Colors



Dimensions

Model #	Finish	Weight	Length	Width	Height
33682S	Stainless	16 lbs.	6"	6"	25.5"
33682BLK	Black Powdercoat	16 lbs.	6"	6"	25.5"
33682RED	Red Powdercoat	16 lbs.	6"	6"	25.5"

Downloadable product resources available online:

