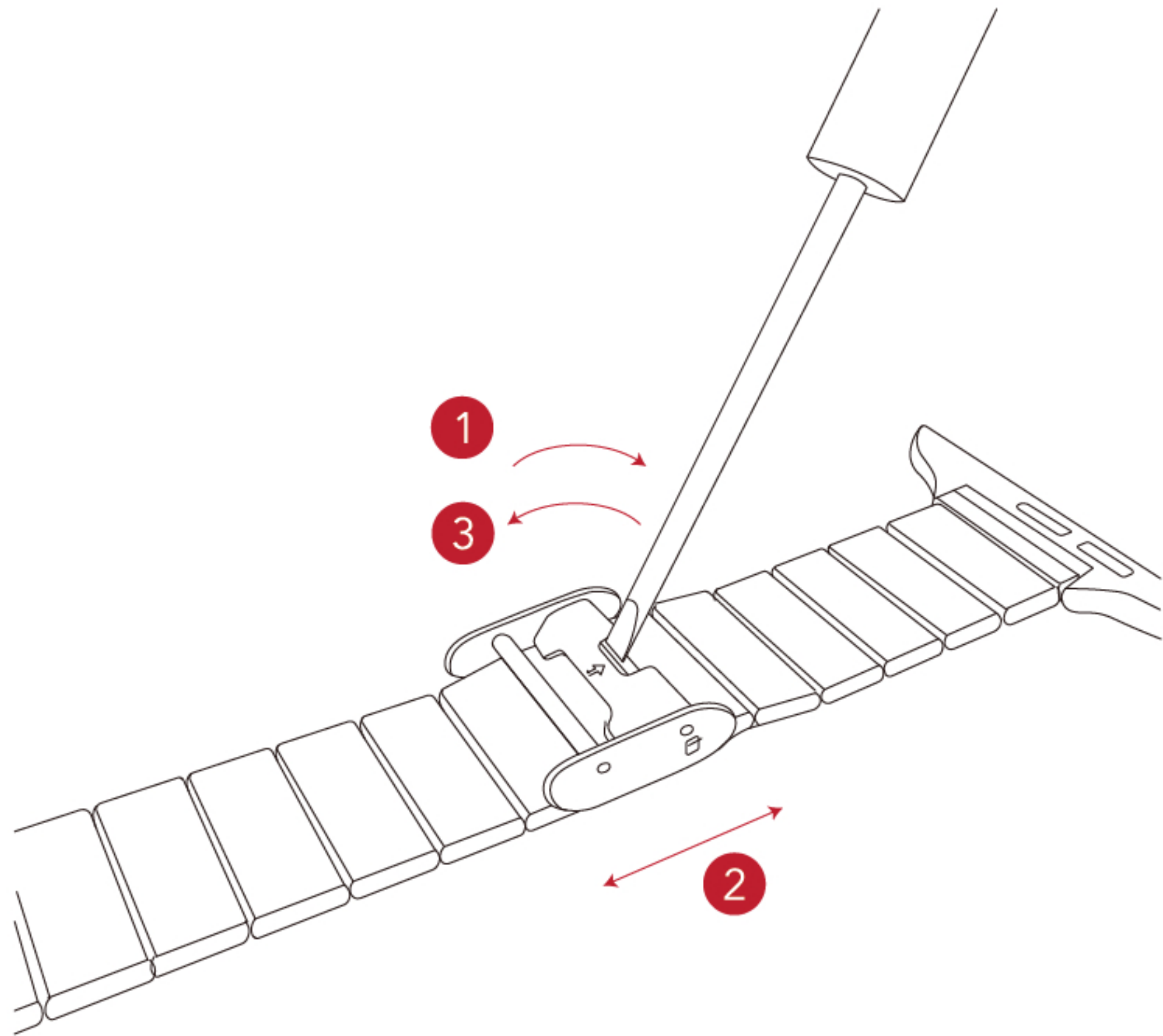


## Hook Lock Length Adjustment



### 01 Unlock

Insert the mini screw driver into the hole the arrow mark points to. Press the strap firmly onto a table, then push down the screw driver to open the clasp.

### 02 Slide

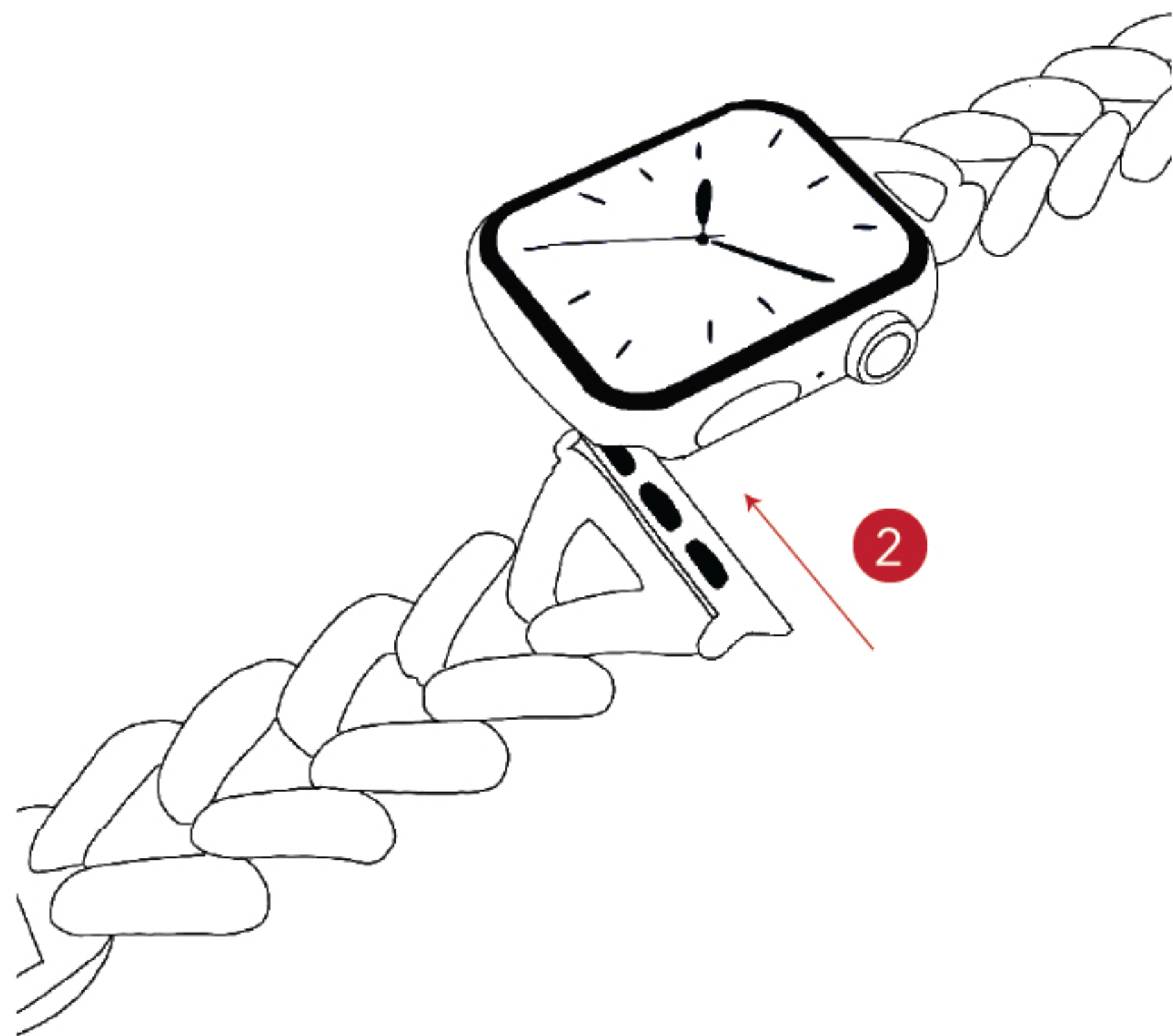
Slide the clasp to adjust the length of your watchstrap.

### 03 Lock

Insert the mini screw driver into the same hole, and push towards the opposite position to relock the clasp.

Apple Watch

## Changing Your Watchstrap



### 01 Release

Turn your Apple Watch upside down. Hold down the band release button, and slide the original watchstrap out of your watch.

### 02 Slide

Make sure that both the watchstrap and your watch are facing up. Slide the new watchstrap into the slot.

LEMON  
時計ストラップ



4893291654  
hooklock