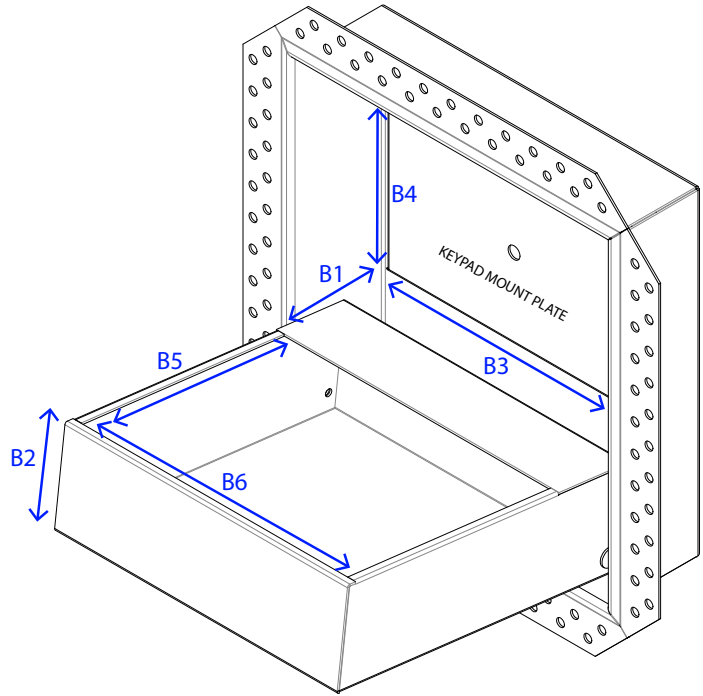
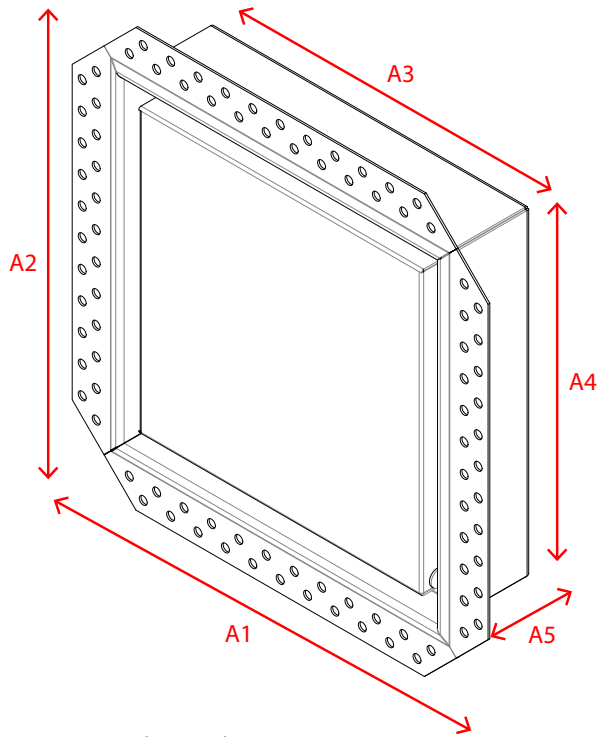




## No See Keypad (10"x10") Specification Sheet



### Component Dimensions

	Inches	MM
A1	12 1/2"	318mm
A2	12 1/2"	318mm
A3	10 1/16"	256mm
A4	10 1/16"	256mm
A5	2 7/8"	73mm
B1	2 1/8"	51mm
B2	2 7/8"	73mm
B3	8"	203mm
B4	4 7/8"	124mm
B5	6 7/16"	164mm

Colours & Sizes	10" x 10"
Satin White	

Mounting plate face to inside of door

### Components

**Door:** Powder coated aluminum door, with a compartment to hold loose items.

**Body:** Powder coated aluminum with corner bead edges to be blended into drywall.

**Keypad Mount Plate:** Powder coated aluminum plate to mount keypad to and hide any wiring behind it.