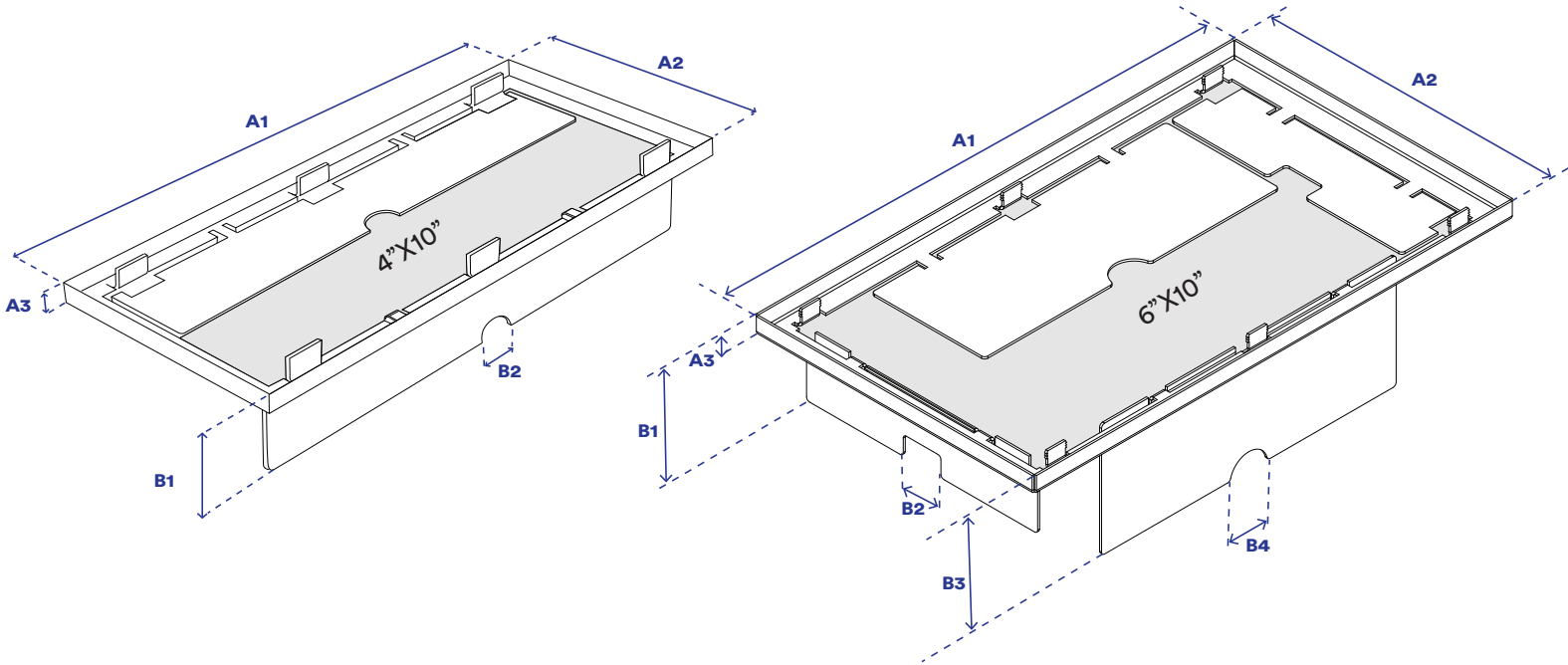




## Lite Dampers - Frame Model Specification Sheet

### Perspective View

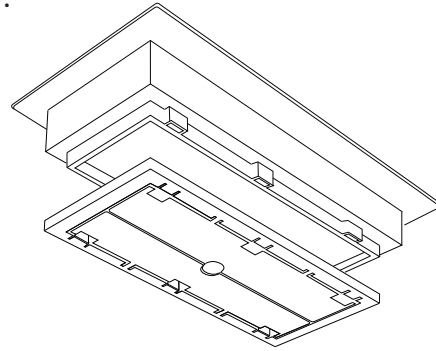


### Component Dimensions

4"X10"		
	Inches	mm
A1	9 <sup>3</sup> / <sub>4</sub> "	248mm
A2	3 <sup>3</sup> / <sub>4</sub> "	95mm
A3	5/16"	8 mm
B1	1 <sup>3</sup> / <sub>4</sub> "	45mm
B2	<sup>3</sup> / <sub>4</sub> "	19mm

6"X10"		
	Inches	mm
A1	9 <sup>9</sup> / <sub>16</sub> "	243mm
A2	5 <sup>37</sup> / <sub>64</sub> "	142mm
A3	<sup>21</sup> / <sub>64</sub> "	8mm
B1	1 <sup>1</sup> / <sub>2</sub> "	38mm
B2	<sup>3</sup> / <sub>4</sub> "	19mm
B3	2 <sup>17</sup> / <sub>32</sub> "	64mm
B4	<sup>27</sup> / <sub>32</sub> "	21mm

### Assembly:



### Install Notes

- Compatible with Aria Lite, Drywall Lite Bead, Drywall Lite Frame.
- For the Aria Lite and Drywall Lite Frame, you can remove the vent from the duct, and clip on at any time. For the Drywall Lite Bead, the damper must be clipped on before installing the vent into the wall.
- **\*WARNING\*** Once clipped onto a vent, the damper cannot be removed.