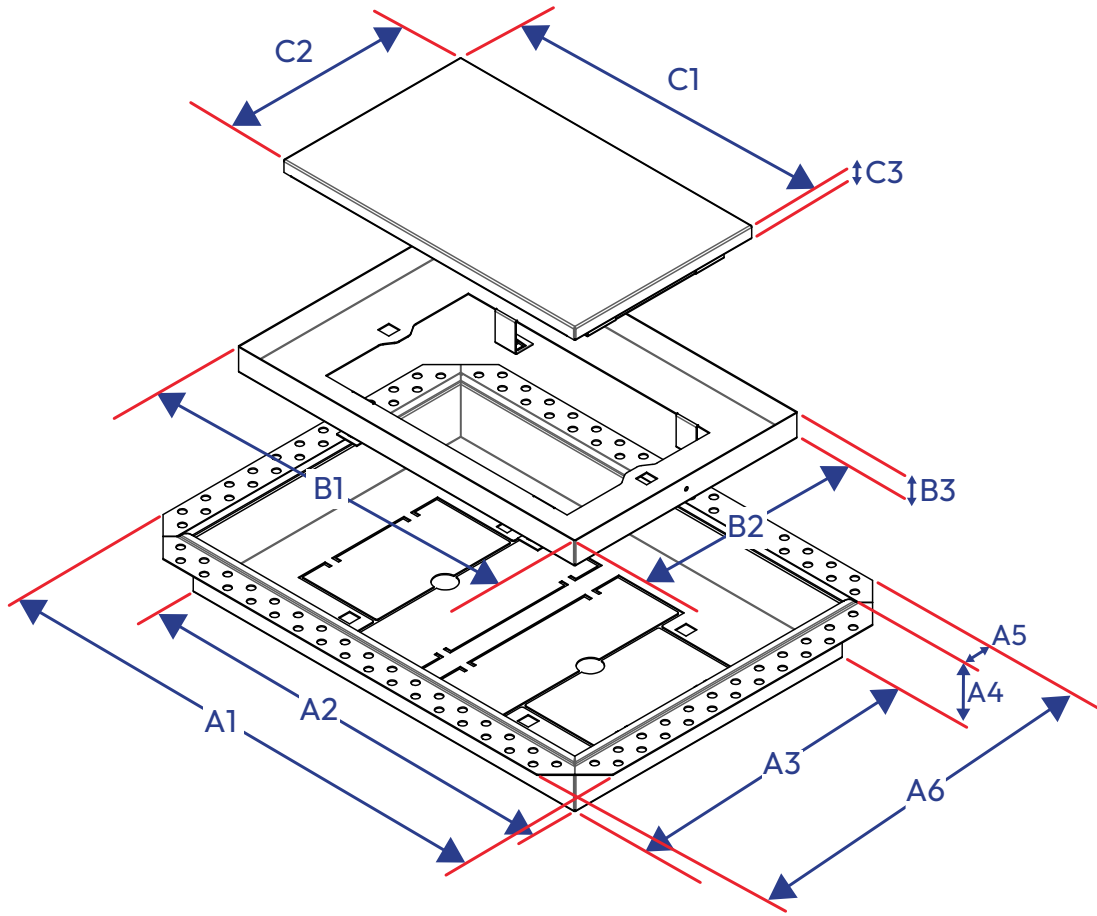




High Performance Flush Wall Vent [Luxe]

Specification Sheet

Perspective View (expanded)



Component Dimensions

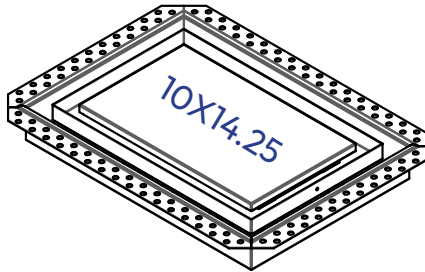
	4"x10"	4"x12"	6"x10"	6"x12"	6"x14"	8"x8"	10"x10"	12"x12"	10"x14"	10"x30"		4"x10"	4"x12"	6"x10"	6"x12"	6"x14"	8"x8"	10"x10"	12"x12"	10"x14"	10"x30"	
	Inches	Inches	Inches	Inches	Inches	Inches	Inches	Inches	Inches	Inches		MM	MM	MM	MM	MM	MM	MM	MM	MM	MM	MM
A1	12 1/4"	14 3/16"	12 1/4"	14 1/4"	16 1/4"	10 3/8"	12 3/16"	14 3/8"	16 11/16"	32 11/16"	A1	311mm	360mm	311mm	362mm	413mm	264mm	310mm	365mm	424mm	830mm	
A2	9 3/4"	11 3/4"	9 3/4"	11 3/4"	13 3/4"	7 7/8"	9 3/4"	11 3/4"	14 1/4"	30 1/4"	A2	248mm	298mm	248mm	298mm	349mm	200mm	248mm	298mm	362mm	768mm	
A3	3 3/4"	3 3/4"	5 3/4"	5 3/4"	5 3/4"	7 7/8"	9 3/4"	11 3/4"	10"	10"	A3	95mm	95mm	146mm	146mm	146mm	200mm	248mm	298mm	254mm	254mm	
A4	1 29/32"	1 29/32"	1 27/32"	1 27/32"	1 27/32"	1 29/32"	1 29/32"	1 13/16"	1 3/4"	1 1/4"	A4	48mm	48mm	47mm	47mm	47mm	48mm	48mm	46mm	44 mm	32mm	
A5	1"	1"	1"	1"	1"	1"	1"	1"	1"	1"	A5	25mm	25mm	25mm	25mm	25mm	25mm	25mm	25mm	25mm	25mm	
A6	6 1/4"	6 3/16"	8 1/4"	8 1/4"	8 1/4"	10 3/8"	12 3/16"	14 3/8"	12 1/2"	12 1/2"	A6	159mm	157mm	210mm	210mm	210mm	264mm	310mm	365mm	317 mm	317mm	
B1	8 7/8"	10 25/32"	8 13/16"	10 13/16"	12 13/16"	6 9/16"	7 29/32"	9 29/32"	12 9/16"	28 1/2"	B1	225mm	274mm	224mm	275mm	325mm	167mm	201mm	252mm	319 mm	724mm	
B2	2 7/8"	2 3/4"	4 13/16"	4 13/16"	4 13/16"	6 9/16"	7 29/32"	9 29/32"	8 1/4"	8 5/16"	B2	51mm	70mm	122mm	122mm	122mm	167mm	201mm	252mm	210 mm	211mm	
B3	3 1/32"	3 1/32"	1 5/32"	1 5/32"	1 3/16"	1 1/32"	13/16"	7/8"	7/8"	1 1/8"	B3	25mm	25mm	29mm	29mm	46mm	26mm	21mm	22 mm	22 mm	29mm	
C1	7 29/32"	9 27/32"	7 7/8"	9 7/8"	11 7/8"	5 1/4"	6 3/32"	8 3/32"	10 15/16"	26 7/8"	C1	199mm	250mm	200mm	251mm	302mm	133mm	155mm	206mm	278 mm	683mm	
C2	1 29/32"	1 27/32"	3 7/8"	3 7/8"	3 7/8"	5 1/4"	6 3/32"	8 3/32"	6 5/8"	6 5/8"	C2	48mm	47mm	98mm	98mm	98mm	133mm	155mm	206mm	168 mm	165mm	
C3	13/32"	13/32"	17/32"	17/32"	17/32"	7/16"	7/16"	7/16"	7/16"	7/16"	C3	10mm	10mm	13mm	13mm	13mm	11mm	11mm	11mm	11 mm	11 mm	



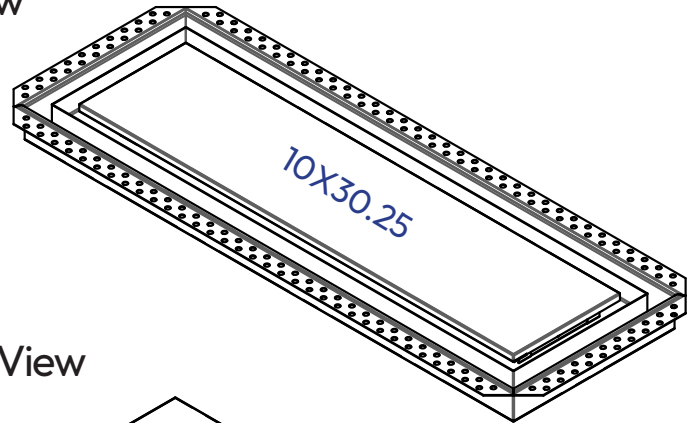
High Performance Flush Wall Vent [Luxe]

Specification Sheet

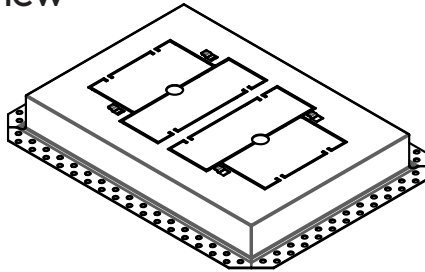
Top View



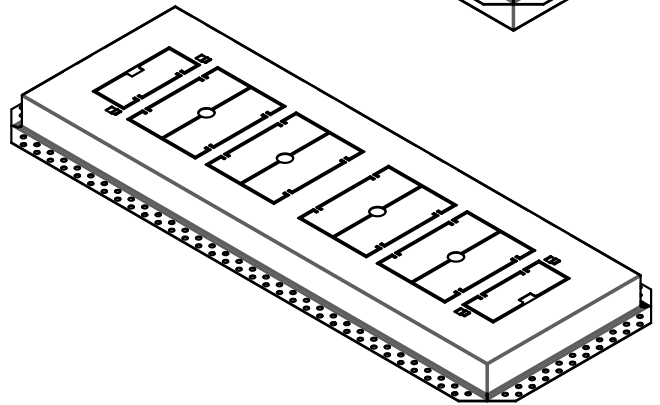
Top View



Bottom View



Bottom View



Components

Body: Made from galvanized steel that has been powder coated white. Corner bead edge to be fastened to surface and finished with drywall mud. This serves as a base for Tray 1 and Tray 2. Please see installation guide for proper install methods.

Tray 1: The larger of the two trays, made from galvanized steel that has been powder coated white. Can slide to remove to access air flow flanges. This component can be painted to any color. Please see installation guide for proper install methods.

Tray 2: The smallest of the three components, made from galvanized steel and powder coated white. Serves as a smooth, flat surface that can be painted or wallpapered, before or after installation. Please see installation guide for proper install methods.