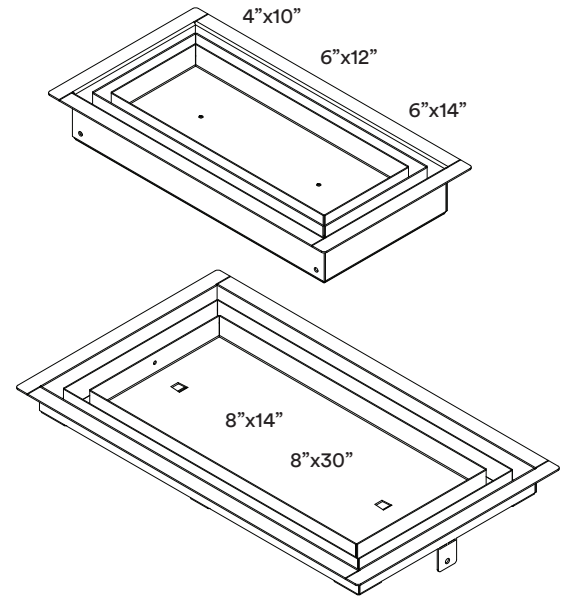
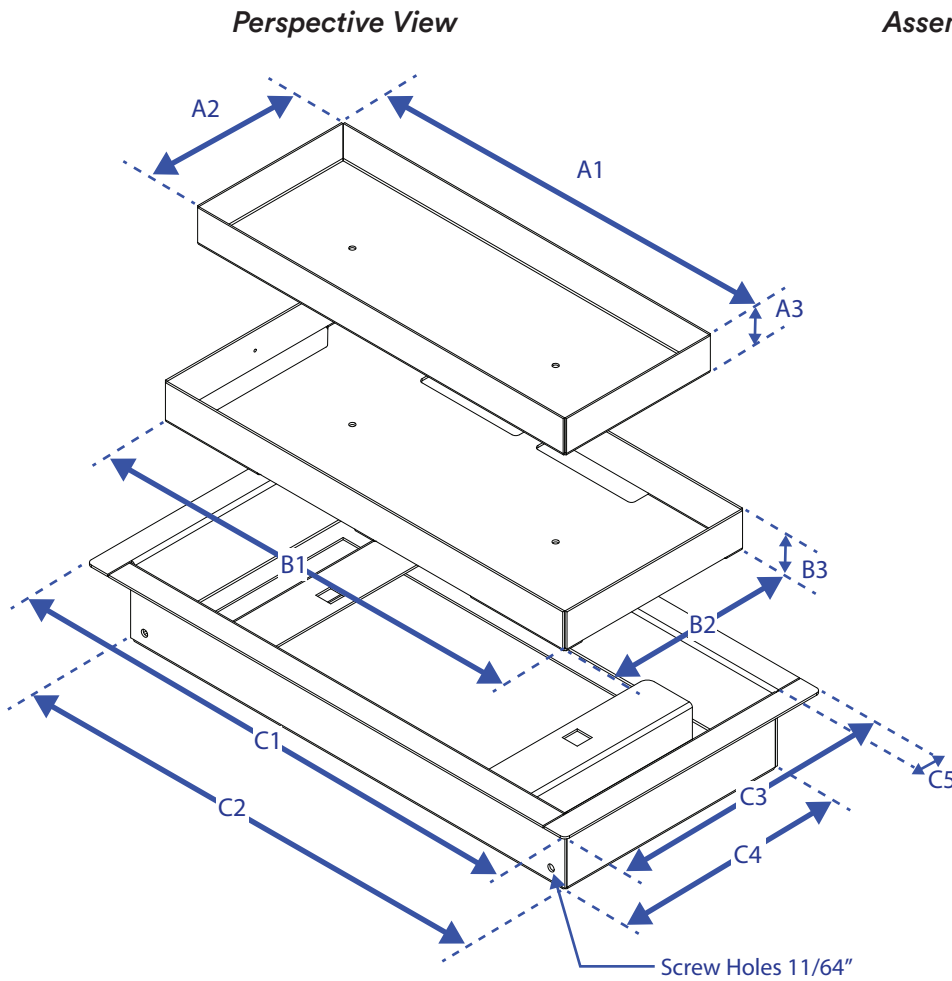




Specification Sheet
High-Performance Framed Floor Vent [Luxe]



Components:

Tray: Insert finished surface material. Can slide and remove to access the duct.

Body: The outer shell of the vent that houses the tray.

Install Note:

This unit can be retrofitted and installed after the finish surface. Use your surface material to customize vent.

Compatible Surface Materials:

Tile, mosaic, hardwood, laminate, carpet, cork, drywall etc.

Air Flow Control:

Bend dampers beyond 90 degrees for 100% air flow.

Component Dimensions

Imperial

	4"x10"	6"x12"	6"x14"	8"x14"	8"x30"
A1	8 ³ / ₄ "	9 ⁶³ / ₆₄ "	11 ⁶³ / ₆₄ "	11 ⁶¹ / ₆₄ "	28 ⁵ / ₆₄ "
A2	2 ³ / ₆₄ "	3 ⁶³ / ₆₄ "	3 ⁶³ / ₆₄ "	5 ⁵³ / ₆₄ "	5 ⁵³ / ₆₄ "
A3	57/64"	57/64"	57/64"	53/64"	53/64"
B1	8 ⁵⁷ / ₆₄ "	10 ⁵⁵ / ₆₄ "	12 ⁵⁵ / ₆₄ "	13 ³ / ₁₆ "	29 ³ / ₁₆ "
B2	2 ⁵⁷ / ₆₄ "	4 ⁵⁵ / ₆₄ "	4 ⁵⁵ / ₆₄ "	6 ²⁹ / ₃₂ "	6 ²⁹ / ₃₂ "
B3	31/32"	15/16"	15/16"	7/8"	7/8"
C1	10 ⁵⁷ / ₆₄ "	12 ¹⁵ / ₁₆ "	14 ¹⁵ / ₁₆ "	15 ¹ / ₂ "	31 ¹ / ₂ "
C2	9 ³ / ₄ "	11 ³ / ₄ "	13 ³ / ₄ "	14 ¹⁵ / ₆₄ "	30 ¹ / ₄ "
C3	4 ⁵⁷ / ₆₄ "	6 ¹⁵ / ₁₆ "	6 ¹⁵ / ₁₆ "	9 ³ / ₁₆ "	9 ³ / ₁₆ "
C4	3 ³ / ₄ "	5 ³ / ₄ "	5 ³ / ₄ "	7 ¹⁵ / ₁₆ "	7 ¹⁵ / ₁₆ "
C5	5/8"	9/16"	9/16"	5/8"	5/8"

Metric

	4"x10"	6"x12"	6"x14"	8"x14"	8"x30"
A1	222mm	254mm	304mm	304mm	713mm
A2	52mm	101mm	101mm	140mm	148mm
A3	23mm	23mm	23mm	21mm	21mm
B1	226mm	276mm	327mm	335mm	741mm
B2	73mm	123mm	123mm	175mm	175mm
B3	25mm	24mm	24mm	22mm	22mm
C1	277mm	329mm	379mm	394mm	800mm
C2	248mm	298mm	349mm	362mm	768mm
C3	124mm	176mm	176mm	233mm	233mm
C4	95mm	146mm	146mm	202mm	202mm
C5	16mm	14mm	14mm	16mm	16mm