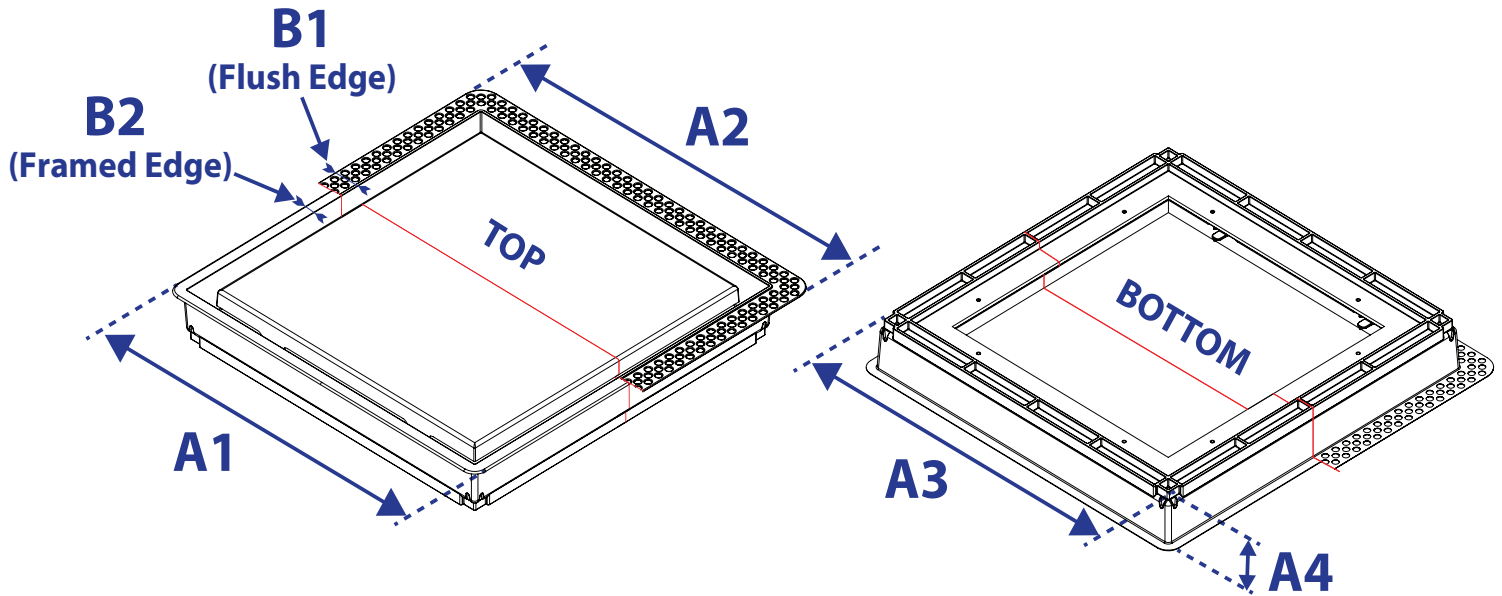




Flush + Framed Exhaust Mount [Lite]

Specification Sheet

Perspective View



Component Dimensions

Imperial

	14"X14"
A1	15 1/4"
A2	16 1/4"
A3	14 1/4"
A4	2 1/4"
B1(Flush)	1 1/8"
B2(Frame)	1/2"

Metric

	14"X14"
A1	387mm
A2	413mm
A3	362mm
A4	57mm
B1(Flush)	28mm
B2(Frame)	13mm

Components

Tray: Injection molded ABS plastic to be finished with paint or wallpaper. Tray can be removed to access exhaust fan.

Body: Screw holes located on the bottom allow for mounting to exhaust fan. Plastic in the four corners are designed to be drilled through to allow mounting to ceiling frame.

Note

The **Framed Exhaust Mount Lite** is designed to drop into ceiling and does not require additional mudding or sanding.

The **Flush Exhaust Mount Lite** achieves an invisible, seamless look with additional mudding, sanding, and painting required.

Note

The **Exhaust Mount Lite** is a perfect square (Length and width are the same measurement).