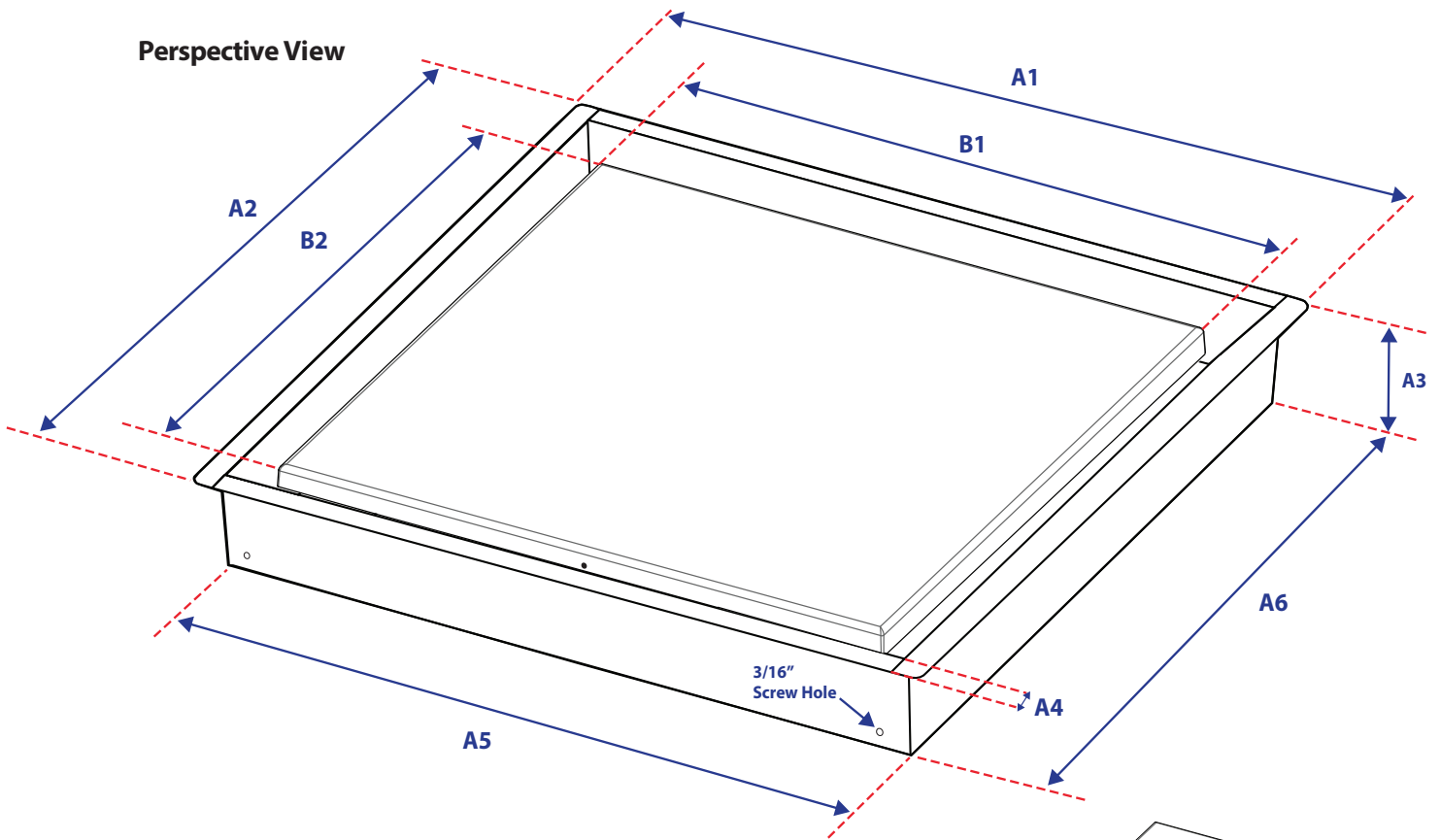




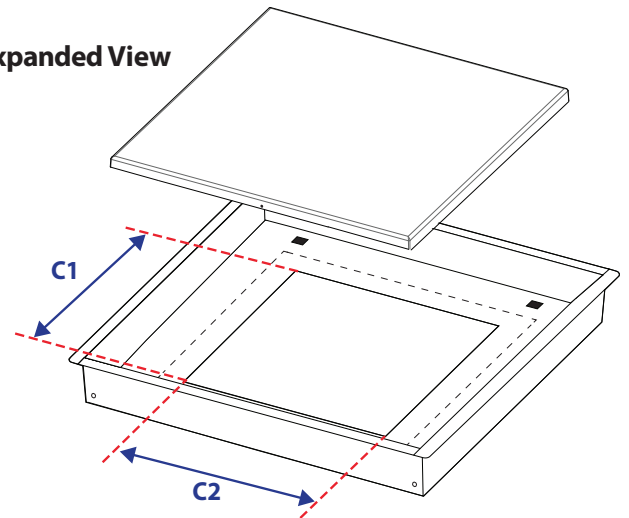
Framed Exhaust Mount [Luxe]

Specification Sheet

Perspective View



Expanded View



Imperial

	14"x14"
A1	15 7/16"
A2	15 7/16"
A3	1 13/16"
A4	5/8"
A5	14 1/4"
A6	14 1/4"
B1	13"
B2	13"
C1	8"-10 5/8"
C2	8"-10 5/8"

Metric

	14"x14"
A1	392mm
A2	392mm
A3	46mm
A4	16mm
A5	361mm
A6	361mm
B1	332mm
B2	332mm
C1	203mm
C2	203mm

Components

Tray: Powder coated surface to be finished with paint or wallpaper. Can slide and remove to access air flow dampers.

Body: Framed edge for quick and easy drop-in installation. No mudding or sanding required.

Air Flow Control

No Air flow control available for this model.