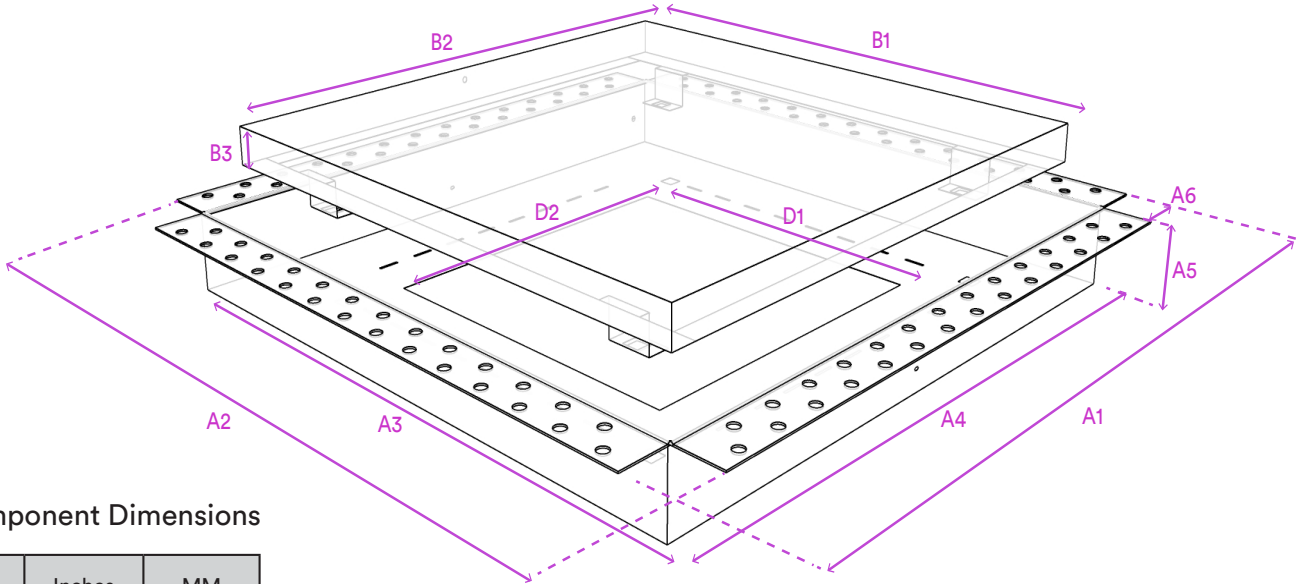


Perspective View (expanded)

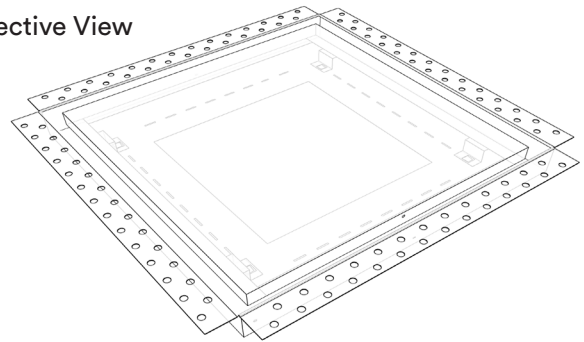


Component Dimensions

	Inches	MM
A1	16 ¾"	425mm
A2	16 ¾"	425mm
A3	14 ¼"	362mm
A4	14 ¼"	362mm
A5	1 ¾"	44mm
A6	1 1/16"	27mm
B1	13 1/16"	332mm
B2	13 1/16"	332mm
B3	1"	25mm
D1	8"-10 5/8"	203mm
D2	8"-10 5/8"	203mm

Size & Colour	14"X14"
Satin White	✓

Perspective View



Components

Tray: Powder coated surface to be finished with paint or wallpaper. Can slide and remove to access air flow flanges.

Body: Corner bead edge to be fastened to drywall. Mount exhaust fan motor to this piece. Finished with drywall mud.

Compatible Fans

Compatible with any retrofit fan models that require drywall opening between 8"x8" to 10 ½" x 10 ½" (figure 1.1)

*Requires extra 1 ¾" space in ceiling cavity. (figure 1.1)

Notable compatible fans are: Panasonic - WhisperCeiling, WhisperFit, WhisperGreen Select.

A Note

Some fans may require trimming the mounting flange on the fan. Double check before mounting by dry-fitting fan into Drywall Pro X opening. Test by sliding Drywall Pro X plate in the tabs - if the fan's flange obstructs the tabs, trim flange as needed.

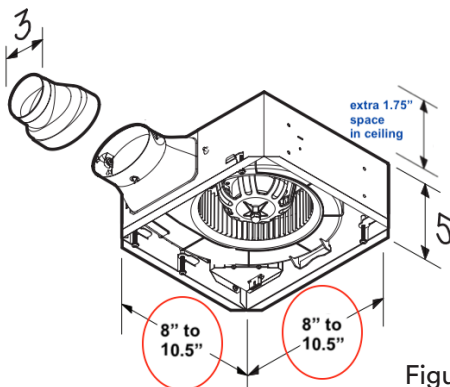
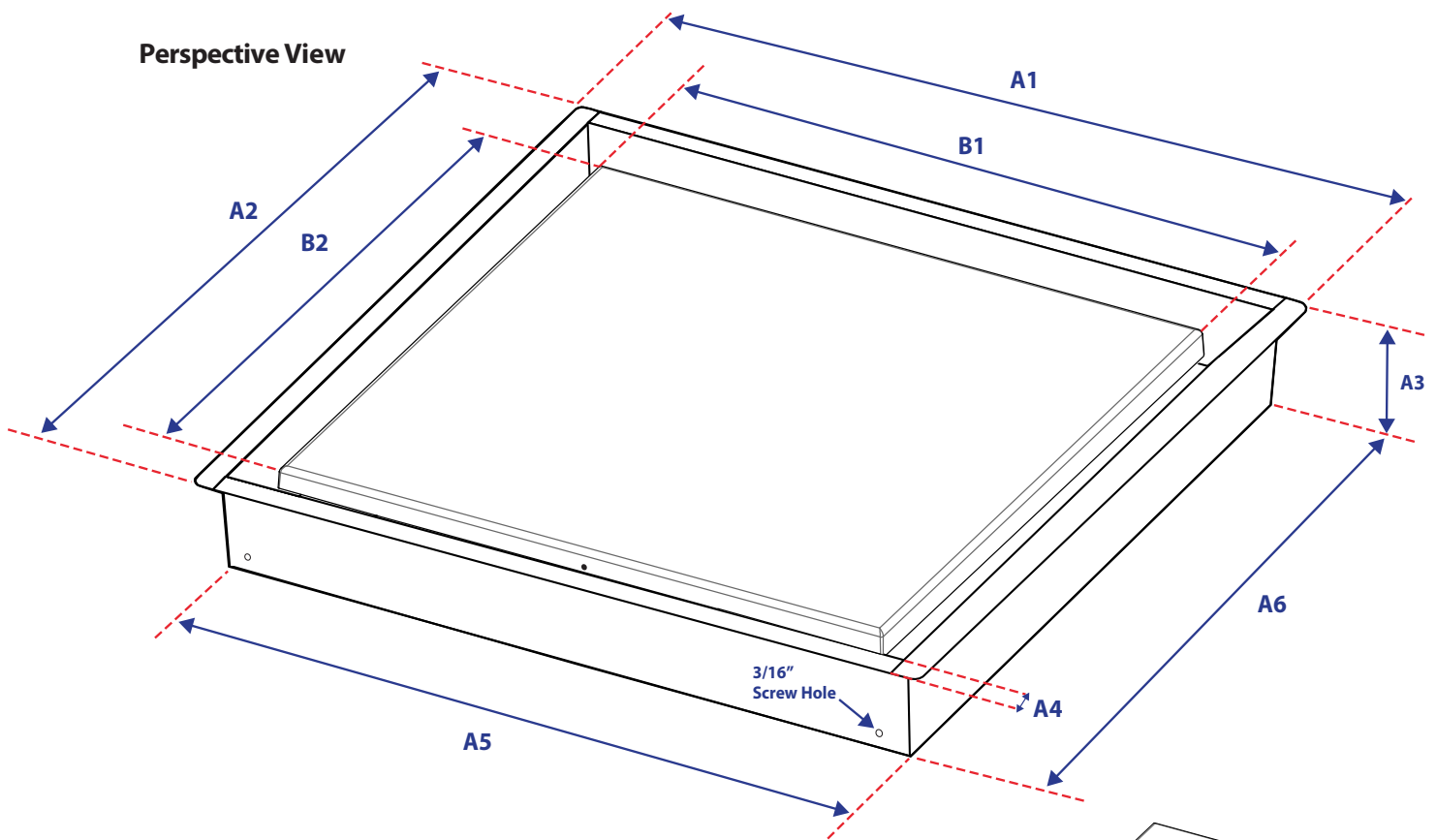


Figure 1.1



Framed Exhaust Mount [Luxe]

Specification Sheet



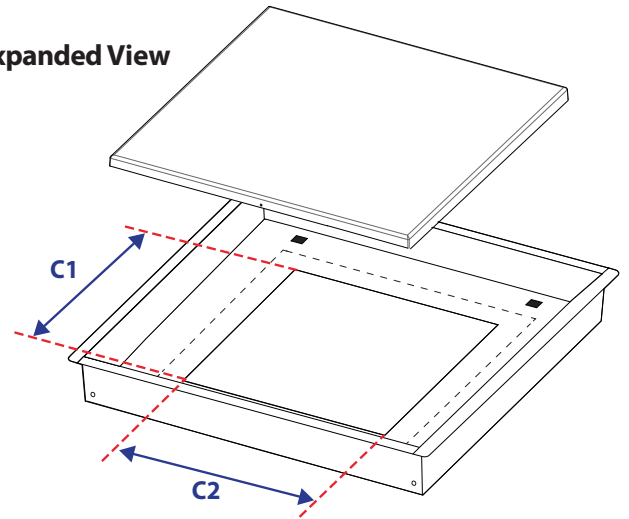
Imperial

	14"x14"
A1	15 7/16"
A2	15 7/16"
A3	1 13/16"
A4	5/8"
A5	14 1/4"
A6	14 1/4"
B1	13"
B2	13"
C1	8"-10 5/8"
C2	8"-10 5/8"

Metric

	14"x14"
A1	392mm
A2	392mm
A3	46mm
A4	16mm
A5	361mm
A6	361mm
B1	332mm
B2	332mm
C1	203mm
C2	203mm

Expanded View



Components

Tray: Powder coated surface to be finished with paint or wallpaper. Can slide and remove to access air flow dampers.

Body: Framed edge for quick and easy drop-in installation. No mudding or sanding required.

Air Flow Control

No Air flow control available for this model.