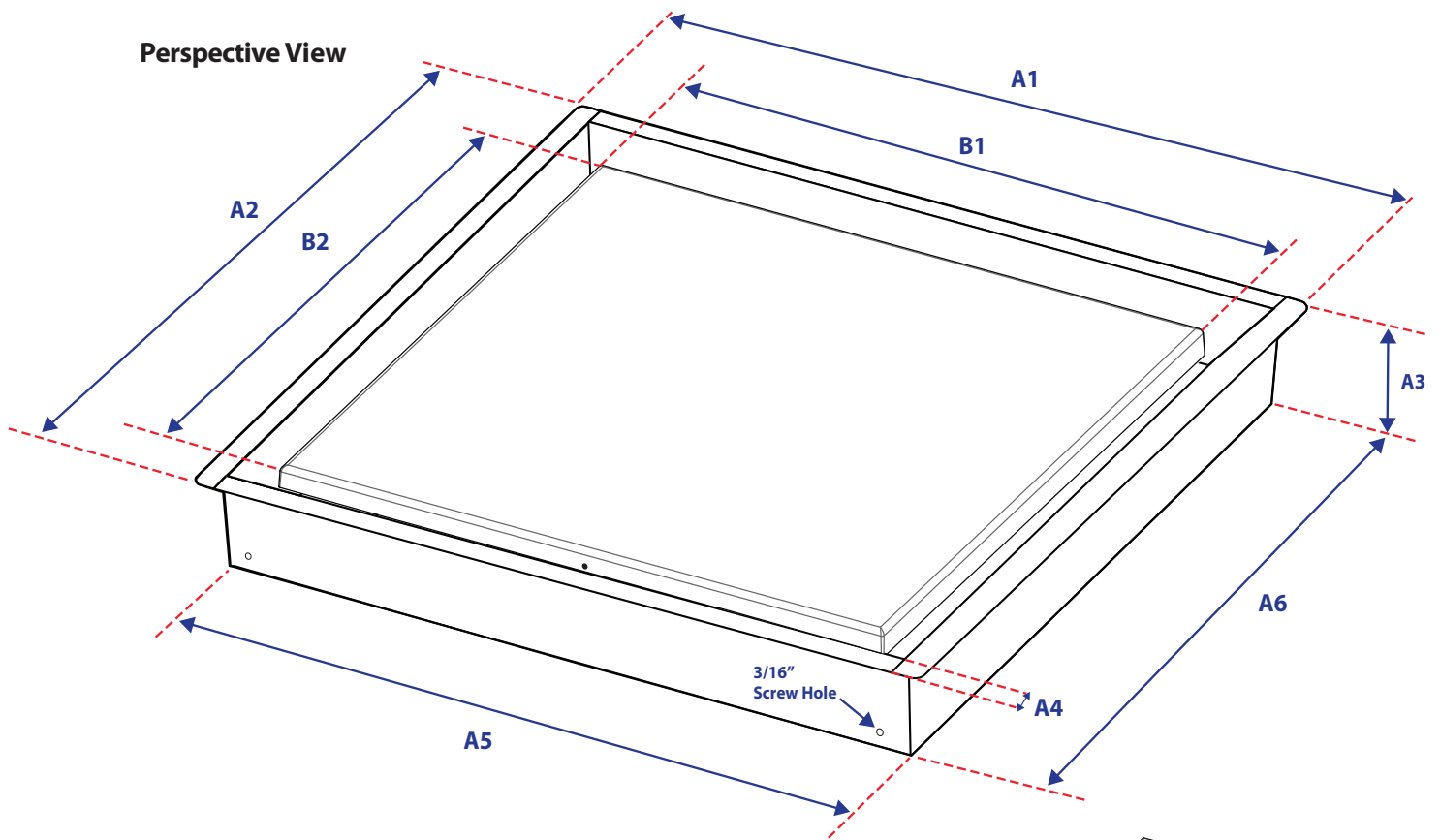


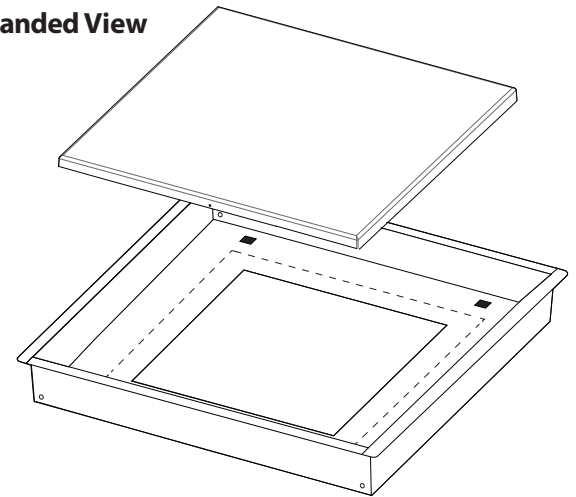


Framed Exhaust Mount [Luxe]

Specification Sheet



Expanded View



Imperial

	14"x14"
A1	15"
A2	15"
A3	1 13/16"
A4	5/8"
A5	13 3/4"
A6	13 3/4"
B1	10 15/16"
B2	10 15/16"

Metric

	14"x14"
A1	381mm
A2	381mm
A3	46mm
A4	16mm
A5	349mm
A6	349mm
B1	278mm
B2	278mm

Components

Tray: Powder coated surface to be finished with paint or wallpaper. Can slide and remove to access air flow dampers.

Body: Framed edge for quick and easy drop-in installation. No mudding or sanding required.

Air Flow Control

No Air flow control available for this model.