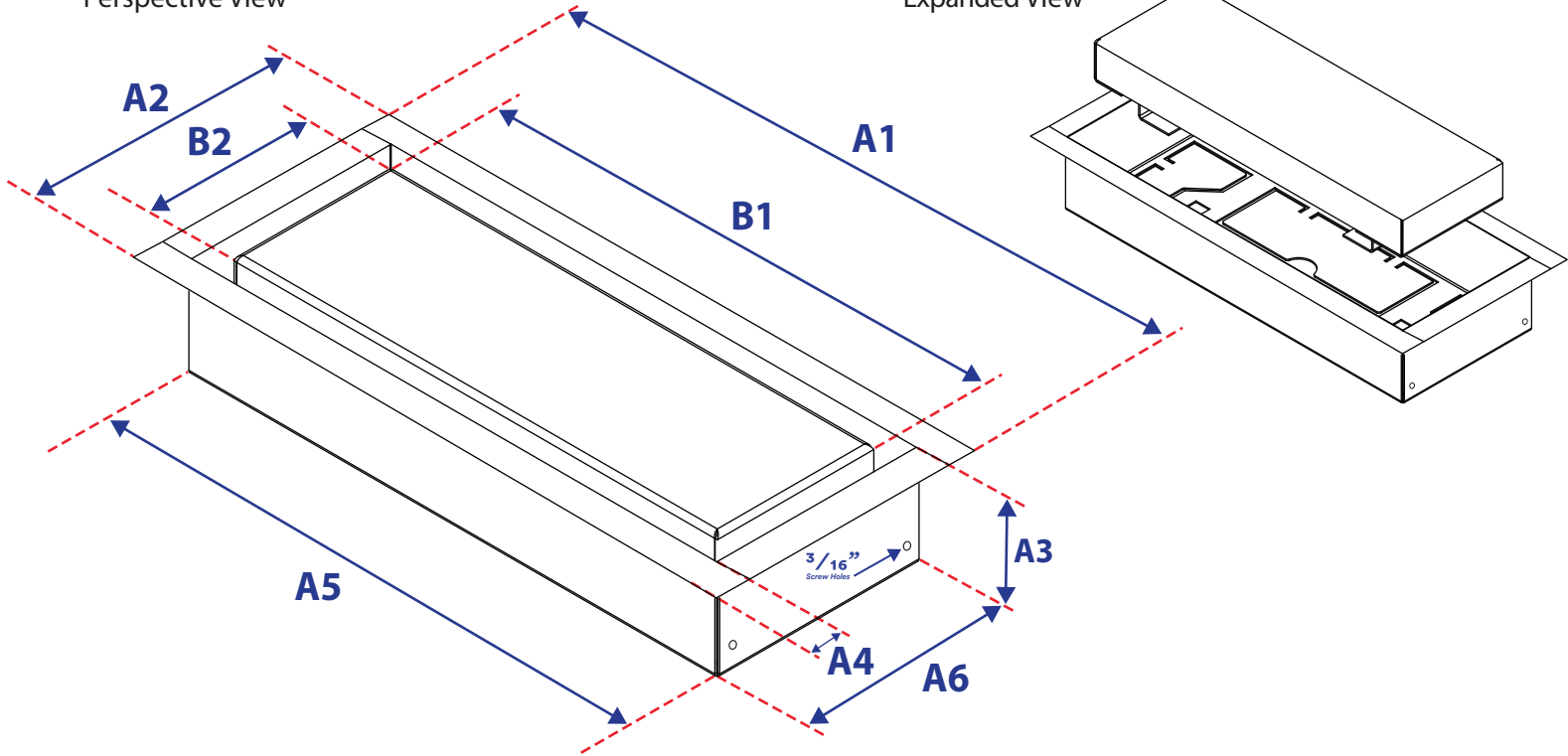




# Framed Wall Supply Vent [Luxe] Specification Sheet

Perspective View

Expanded View



## Component Dimensions

Imperial

|           | 3"x10"   | 4"x10"   | 4"x12"   | 6"x10"   | 6"x12"    | 6"x14"    | 8"x8"  |
|-----------|----------|----------|----------|----------|-----------|-----------|--------|
| <b>A1</b> | 11"      | 11"      | 12 1/4"  | 10 1/8"  | 12 15/16" | 14 15/16" | 9 1/8" |
| <b>A2</b> | 4 1/8"   | 5"       | 5"       | 6 1/8"   | 7"        | 7"        | 9 1/8" |
| <b>A3</b> | 1 13/16" | 1 13/16" | 1 13/16" | 1 13/16" | 1 13/16"  | 1 13/16"  | 2 7/8" |
| <b>A4</b> | 5/8"     | 5/8"     | 5/8"     | 5/8"     | 5/8"      | 5/8"      | 5/8"   |
| <b>A5</b> | 9 3/4"   | 9 3/4"   | 10 7/8"  | 8 7/8"   | 11 3/4"   | 13 3/4"   | 7 7/8" |
| <b>A6</b> | 2 7/8"   | 3 3/4"   | 3 3/4"   | 5 3/4"   | 5 3/4"    | 5 3/4"    | 7 7/8" |
| <b>B1</b> | 8 13/16" | 8 7/8"   | 11 3/4"  | 9 3/4"   | 10 11/16" | 12 11/16" | 6 1/2" |
| <b>B2</b> | 2"       | 2 7/8"   | 2 7/8"   | 4 7/8"   | 4 11/16"  | 4 11/16"  | 6 1/2" |

Metric

|           | 3"x10" | 4"x10" | 4"x12" | 6"x10" | 6"x12" | 6"x14" | 8"x8" |
|-----------|--------|--------|--------|--------|--------|--------|-------|
| <b>A1</b> | 279mm  | 279mm  | 311mm  | 257mm  | 329mm  | 379mm  | 232mm |
| <b>A2</b> | 105mm  | 127mm  | 127mm  | 127mm  | 178mm  | 178mm  | 232mm |
| <b>A3</b> | 46mm   | 46mm   | 46mm   | 46mm   | 46mm   | 46mm   | 73mm  |
| <b>A4</b> | 16mm   | 16mm   | 16mm   | 16mm   | 16mm   | 16mm   | 16mm  |
| <b>A5</b> | 248mm  | 248mm  | 246mm  | 225mm  | 298mm  | 349mm  | 200mm |
| <b>A6</b> | 73mm   | 95mm   | 95mm   | 146mm  | 146mm  | 146mm  | 200mm |
| <b>B1</b> | 224mm  | 225mm  | 298mm  | 248mm  | 271mm  | 322mm  | 165mm |
| <b>B2</b> | 51mm   | 73mm   | 73mm   | 124mm  | 119mm  | 119mm  | 165mm |

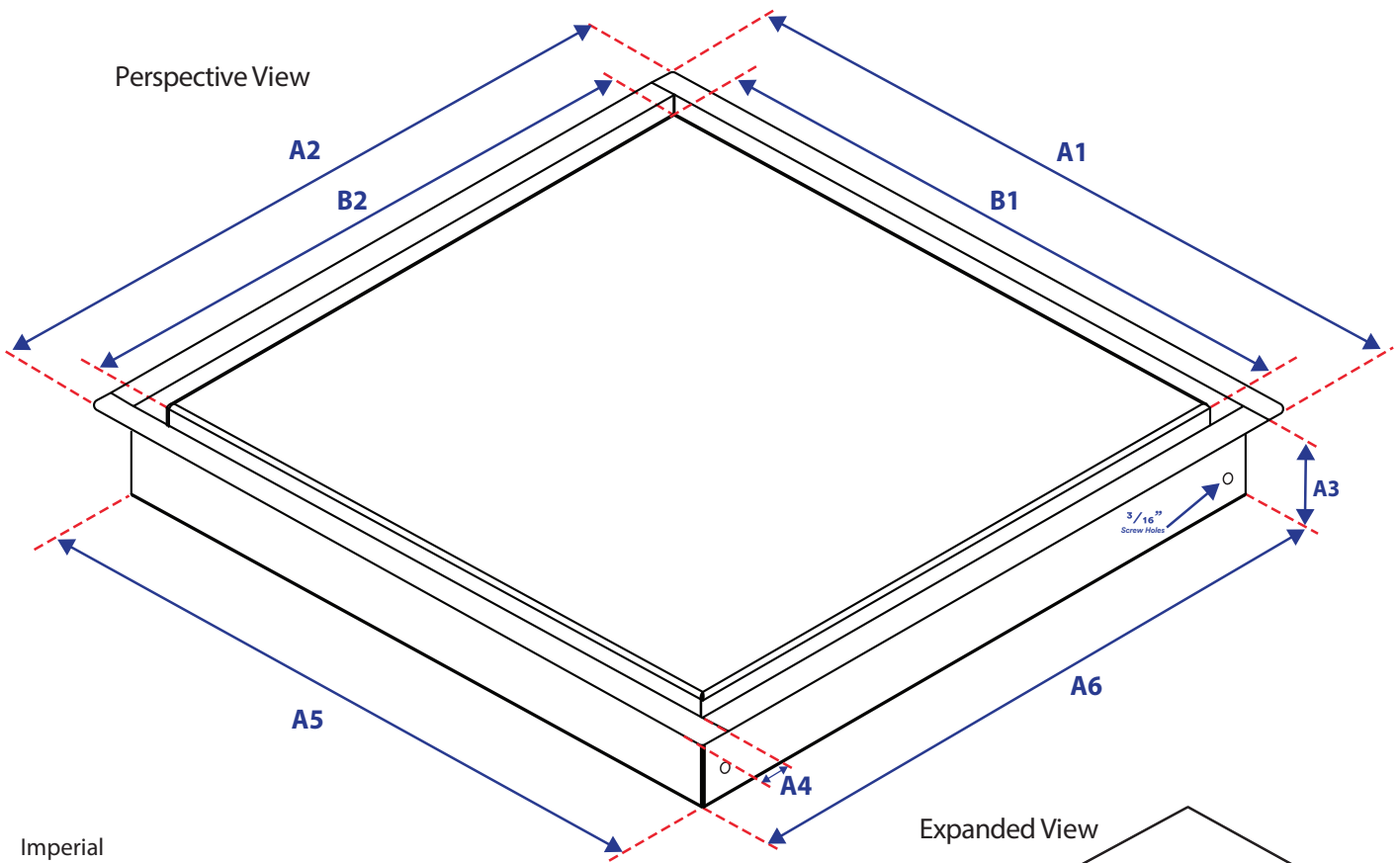
## Components

**Tray:** Powder coated surface to be finished with paint or wallpaper. Can slide and remove to access air flow dampers.

**Body:** Framed edge for quick and easy drop-in installation. No mudding or sanding required.

## Air Flow Control

Air flow can be controlled at any time after install. Slide tray to access flanges. For optimal airflow open all dampers beyond 90



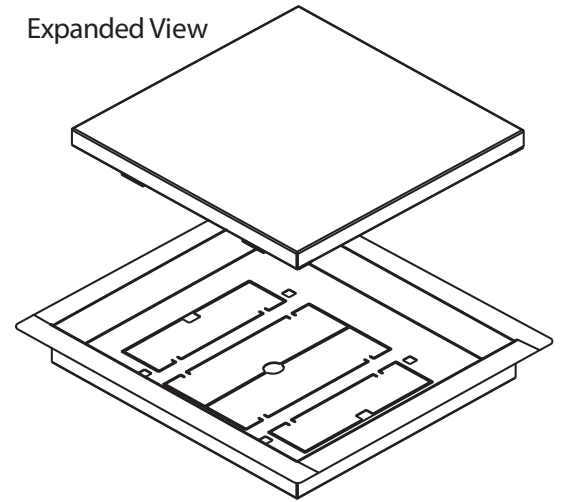
### Imperial

|    | 10"x10"  | 12"x12"  | 10"x14"  | 10"x30"  |
|----|----------|----------|----------|----------|
| A1 | 11"      | 13"      | 15 5/16" | 31 1/2"  |
| A2 | 11"      | 13"      | 11 1/4"  | 11 1/4"  |
| A3 | 1 13/16" | 1 13/16" | 1 13/16" | 1 13/16" |
| A4 | 5/8"     | 5/8"     | 5/8"     | 5/8"     |
| A5 | 9 3/4"   | 11 3/4"  | 14 1/16" | 30 1/4"  |
| A6 | 9 3/4"   | 11 3/4"  | 9 15/16" | 10"      |
| B1 | 7 15/16" | 9 15/16" | 12 7/16" | 26 7/8"  |
| B2 | 7 15/16" | 9 15/16" | 8 3/16"  | 6 5/8"   |

### Metric

|    | 10"x10" | 12"x12" | 10"x14" | 10"x30" |
|----|---------|---------|---------|---------|
| A1 | 279mm   | 330mm   | 389mm   | 800mm   |
| A2 | 279mm   | 330mm   | 286mm   | 286mm   |
| A3 | 46mm    | 46mm    | 46mm    | 46mm    |
| A4 | 16mm    | 16mm    | 16mm    | 16mm    |
| A5 | 248mm   | 298mm   | 357mm   | 768mm   |
| A6 | 248mm   | 298mm   | 254mm   | 254mm   |
| B1 | 202mm   | 252mm   | 316mm   | 683mm   |
| B2 | 202mm   | 252mm   | 208mm   | 168mm   |

### Expanded View



### Components

**Tray:** Powder coated surface to be finished with paint or wallpaper. Can slide and remove to access air flow dampers.

**Body:** Framed edge for quick and easy drop-in installation. No mudding or sanding required.

### Air Flow Control

Air flow can be controlled at any time after install. Slide tray to access flanges. For optimal airflow open all dampers beyond 90