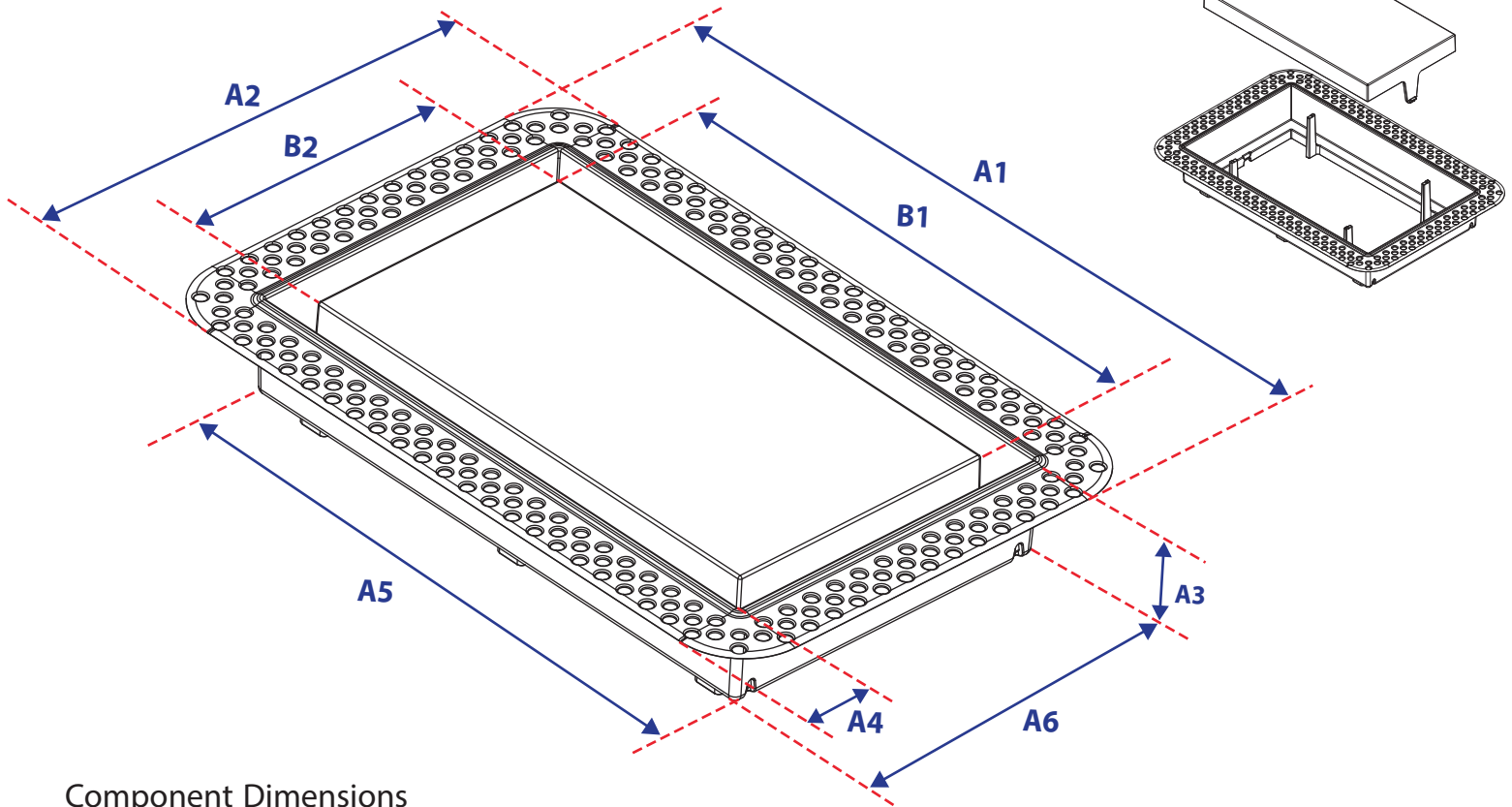


Flush Wall Vent [Lite] 6X10  
Specification Sheet

Perspective View

Expanded View



Component Dimensions

Imperial

	6"x10"
A1	11 13/16"
A2	7 13/16"
A3	1 29/32"
A4	1"
A5	9 13/16"
A6	5 25/32"
B1	8 9/16"
B2	4 19/32"

Metric

	6"x10"
A1	300mm
A2	198mm
A3	48mm
A4	25mm
A5	249mm
A6	147mm
B1	217mm
B2	117mm

**Components**

finished with paint or wallpaper. Tray can be removed for cleaning or duct access.

Body: Slim frame to be fastened to substrate. With muddable drywall bead for flush installation.

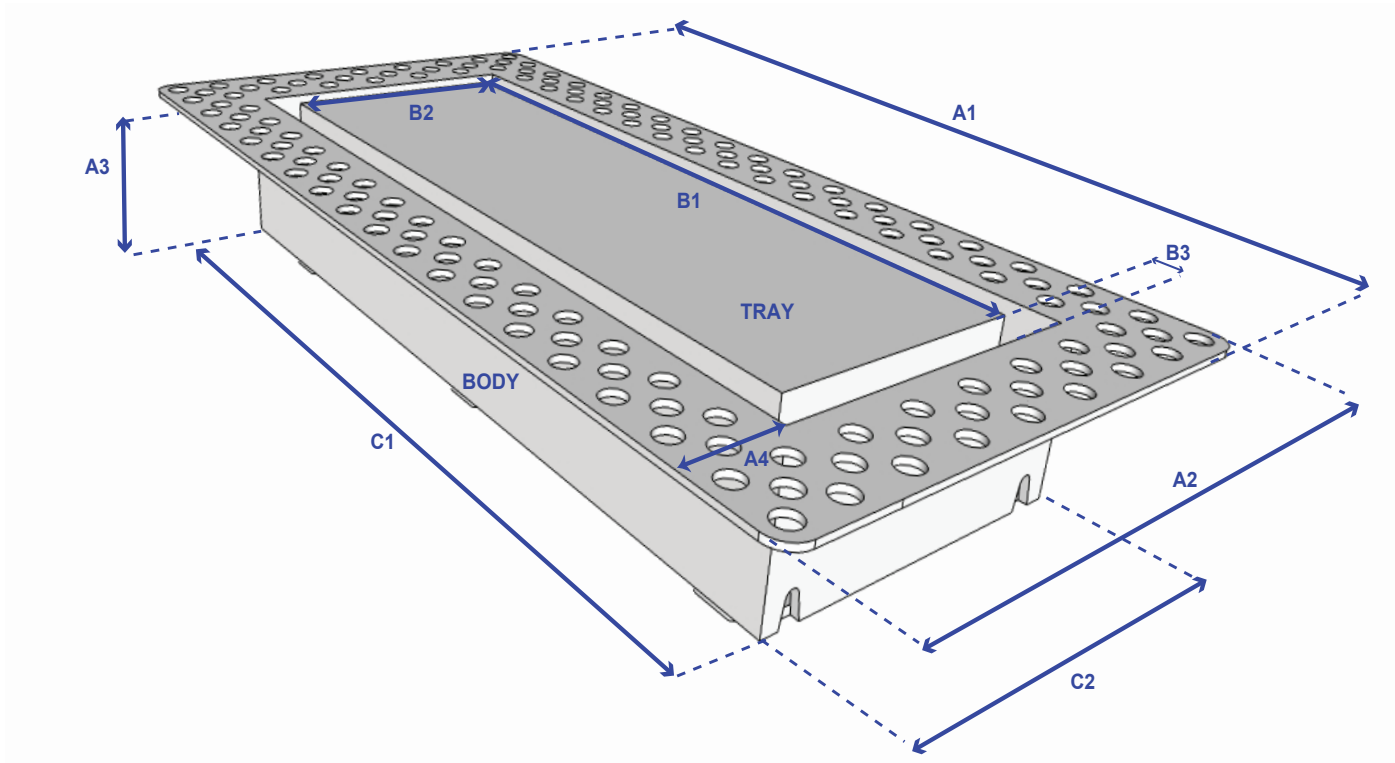
**Air Flow Control**

Adjustable dampers are available for purchase separately.



## Flush Wall Vent [Lite] 4X10 Specification Sheet

Perspective View



### Component Dimensions

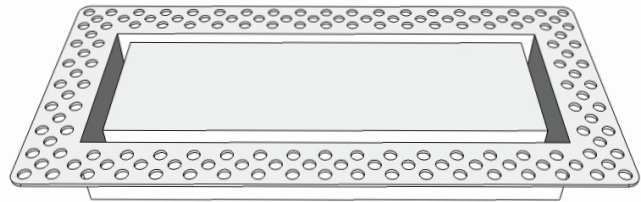
Imperial

Metric

	4"X10"
A1	11 3/4"
A2	5 3/4"
A3	2"
A4	1 1/16"
B1	8 5/8"
B2	2 9/16"
B3	1/2"
C1	9 3/4"
C2	3 3/4"

	4"X10"
A1	298mm
A2	146mm
A3	51mm
A4	27mm
B1	219mm
B2	65mm
B3	13mm
C1	248mm
C2	95mm

Side View



### Components

Plate: Lightly textured flat plate to be finished with paint or wallpaper.

Body: Drywall bead frame to be fastened and mudding on drywall surface.

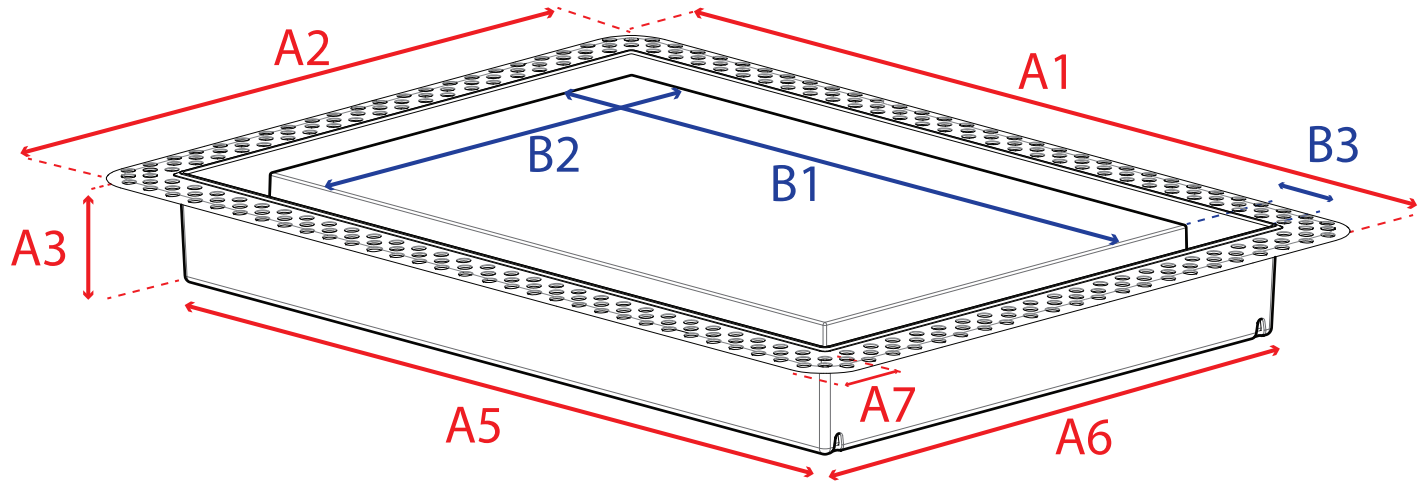
### Air Flow Control

Adjustable dampers are available for purchase separately.

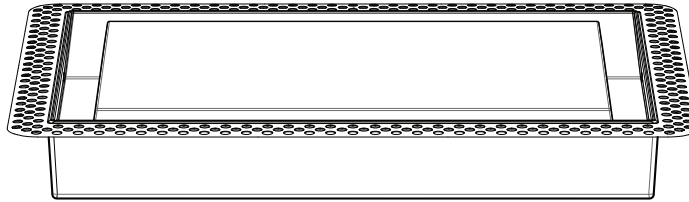
Size & Colour	4"x10"
White	✓



## Flush Wall Vent [Lite] Return Specification Sheet



Side View



### Component Dimensions

LITE	10"x14.25"	
	Inches	MM
A1	16 <sup>3</sup> / <sub>16</sub> "	379mm
A2	12"	273mm
A3	1 <sup>3</sup> / <sub>4</sub> "	45mm
A4	<sup>1</sup> / <sub>8</sub> "	3mm
A5	14 <sup>3</sup> / <sub>16</sub> "	360mm
A6	10"	254mm
A7	1 <sup>1</sup> / <sub>16</sub> "	12mm
B1	12 <sup>3</sup> / <sub>16</sub> "	310mm
B2	7 <sup>15</sup> / <sub>16</sub> "	202mm
B3	<sup>15</sup> / <sub>16</sub> "	24mm

### Components

**Plate:** Lightly textured flat plate to be finished with paint or wallpaper.

**Body:** Slim frame to be fastened to substrate. With muddable drywall bead.

### Air Flow Control

No air flow control on this model