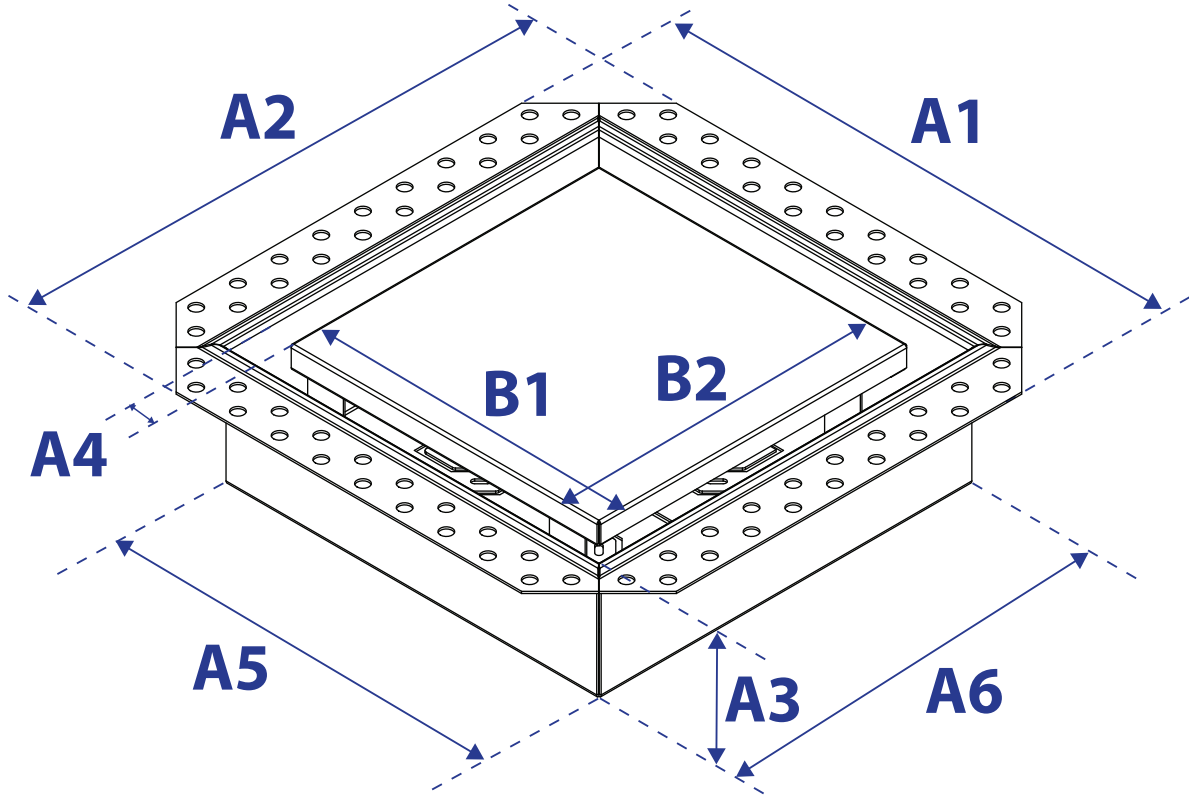


Flush Device Mount [Luxe] Specification Sheet

Perspective View



Component Dimensions

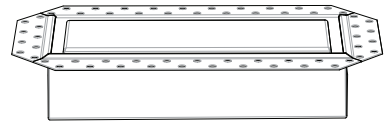
Imperial

	8"x8"
A1	10 ½"
A2	10 ½"
A3	2 ½"
A4	5/8"
A5	7 7/8"
A6	7 7/8"
B1	6 ½"
B2	6 ½"

Metric

	8"x8"
A1	267mm
A2	267mm
A3	64mm
A4	16mm
A5	200mm
A6	200mm
B1	165mm
B2	165mm

Side View



Components

Tray: Powder coated surface to be finished with paint or wallpaper. Can slide and remove to access air flow dampers.

Body: Corner bead edge to be fastened to surface and finished with drywall mud.

Air Flow Control

Air flow can be controlled at any time after install. Slide tray to access flanges. For optimal airflow open all dampers beyond 90°.