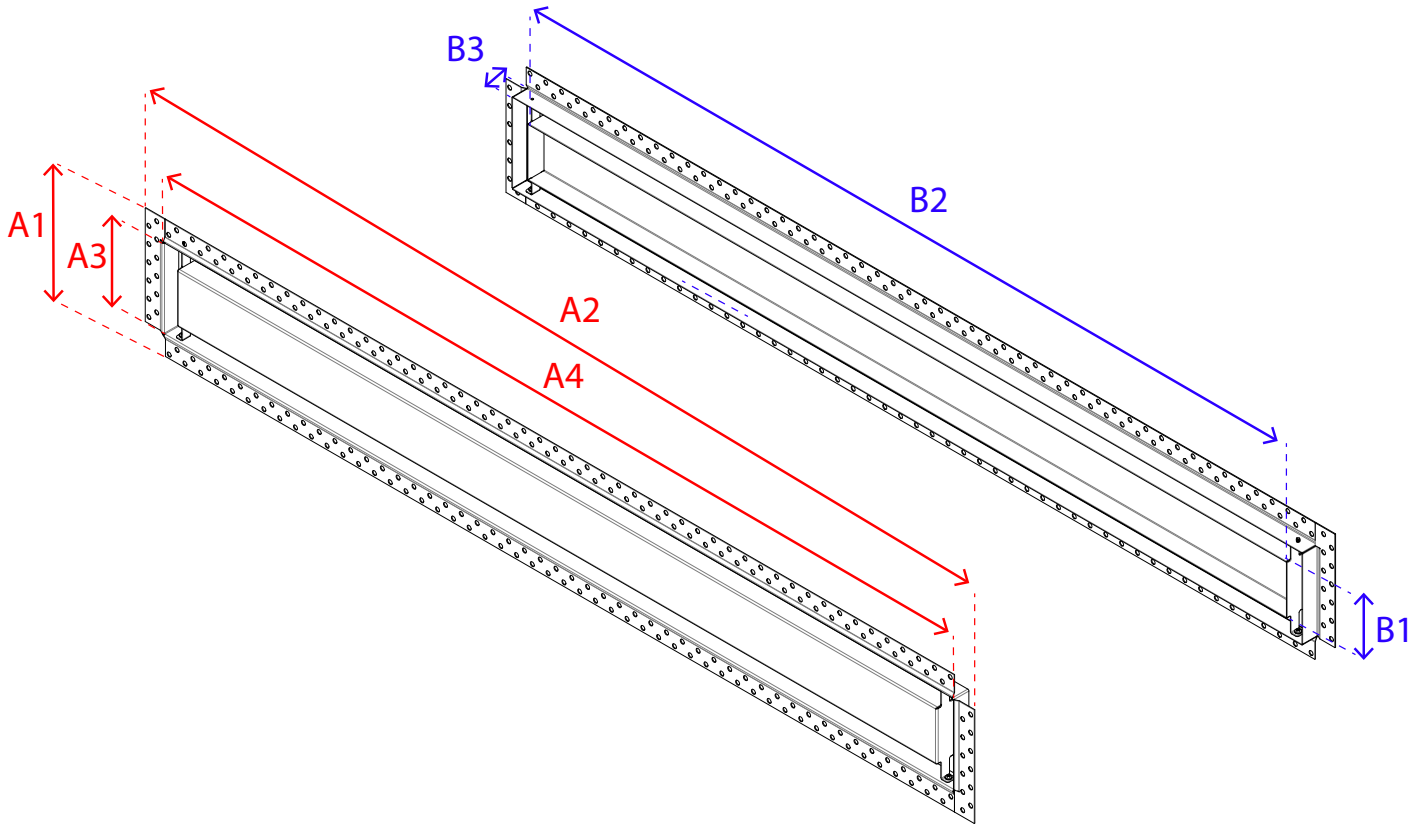




Fireplace Vent Specification Sheet



Component Dimensions

Imperial

Metric

	Inches		mm
A1	7 1/2"	A1	191mm
A2	52 1/2"	A2	1334mm
A3	5"	A3	127mm
A4	50"	A4	1270mm
B1	2 7/8"	B1	1216mm
B2	47 7/8"	B2	73mm
B3	7/8"	B3	22mm

Components

Two parts; a tray and a frame. Made from galvanized steel that has been powdercoated white for a durable long lasting finish. Both parts are fastened together by button head screws.

Corner bead edge to be fastened to surface and finished with drywall mud. Alternatively the vent can be flipped backwards to achieve a flushmount look with millwork, tile and stone. The tray can then be filled with the desired material to match the surrounding surfaces.