



KUNKLE MODEL 140 LIQUID RELIEF VALVE

SAFETY AND RELIEF PRODUCTS

Stainless steel liquid relief valve with a side outlet suitable for a variety of applications up to 300 psig (20.7 barg)



FEATURES

- Compact design requires minimum installation space.
- Angle lapped seat provides tight shutoff.
- Tested and inspected for pressure setting and leakage.
- Female NPT inlet option available.
- 50 psig (3.45 barg) maximum back pressure^[1].

NOTE

1. Back pressure increases set pressure on a one to one basis, and reduces capacity. Back pressure in excess of 10% of set pressure is not recommended.

GENERAL APPLICATION

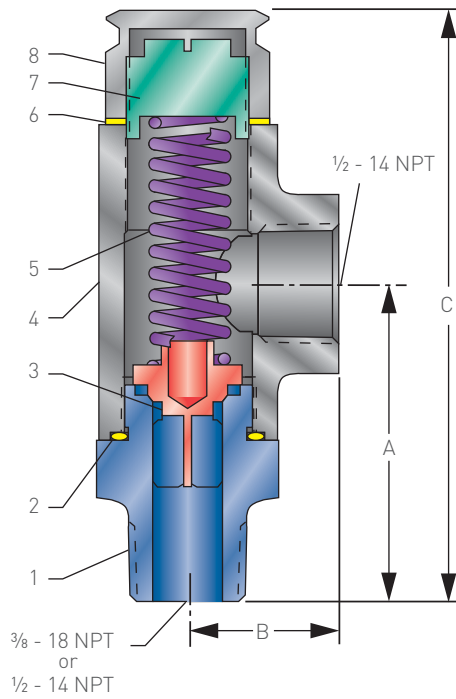
Model 140 is a general utility valve of all stainless steel construction, including spring, for non-code liquid applications.

TECHNICAL DATA

Connections:	Threaded NPT
Temperature range:	-60 to 406°F (-51 to 208°C)
Pressure range:	5 to 300 psig (0.34 to 20.7 barg)

KUNKLE MODEL 140 LIQUID RELIEF VALVE

SAFETY AND RELIEF PRODUCTS



PARTS AND MATERIALS

No.	Part name	Material
1	Nozzle	SS SA479-316
2	O-ring	PTFE
3	Disc	SS A743-CF8
4	Bonnet	SS A743-CF8
5	Spring	SS A313-302
6	Gasket	PTFE
7	Compression screw	SS A479-304
8	Cap	SS A479-304

SPECIFICATIONS

Size	Inlet	Outlet	Dimensions, in.			Weight oz.
			A	B	C	
	3/8" or 1/2"	1/2"	2 1/4	1 1/16	4	14

Dimensions are for reference only.

CAPACITIES FOR NON-CODE LIQUID - 25% ACCUMULATION (GPM)

Set pressure psig	Capacity GPM
5	0.5
10	0.9
20	1.5
30	2.1
40	2.8
50	3.4
60	4.1
70	4.8
80	5.5
90	6.2
100	6.9
110	7.6
120	8.3
130	9.0
140	9.6
150	10.2
160	10.8
170	11.3
180	11.8
190	12.3
200	12.8
210	13.2
220	13.5
230	13.8
240	14.1
250	14.3
260	14.5
270	14.6
280	14.6
290	14.6
300	14.5

KUNKLE MODEL 140 LIQUID RELIEF VALVE

SAFETY AND RELIEF PRODUCTS

SELECTION GUIDE

Example:	0140	-	B	01	-	M	E	0100
Model	0140							
Inlet size								
B			3/8"					
C			1/2"					
Variation								
01	Catalog standard							
02	FNPT x FNPT							
Design revision								
	Indicates non-interchangeable revision							
	Dash (-) if original design							
Service								
M	Non-code liquid							
Spring material								
E	302 SS							
Set pressure								
0005	5 psig							
0300	300 psig							

VCTDS-00381-EN © 2017, 2023 Emerson Electric Co. All rights reserved 04/23. Kunkle is a mark owned by one of the companies in the Emerson Automation Solutions business unit of Emerson Electric Co. The Emerson logo is a trademark and service mark of Emerson Electric Co. All other marks are the property of their prospective owners.

The contents of this publication are presented for informational purposes only and while every effort has been made to ensure their accuracy, they are not to be construed as warranties or guarantees, express or implied, regarding the products or services described herein or their use or applicability. All sales are governed by our terms and conditions, which are available upon request. We reserve the right to modify or improve the designs or specifications of such products at any time without notice.

Emerson Electric Co. does not assume responsibility for the selection, use or maintenance of any product. Responsibility for proper selection, use and maintenance of any Emerson Electric Co. product remains solely with the purchaser

Emerson.com
