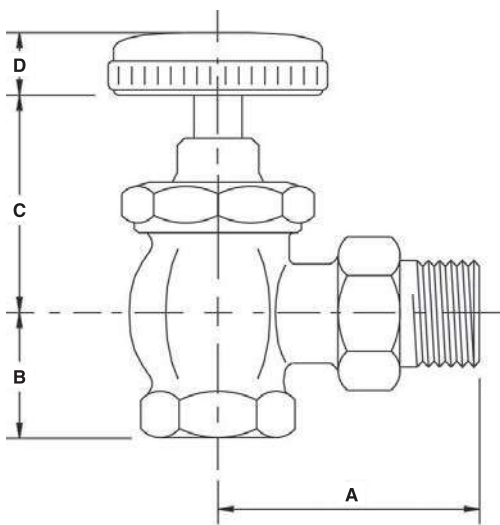


## Supply Valves

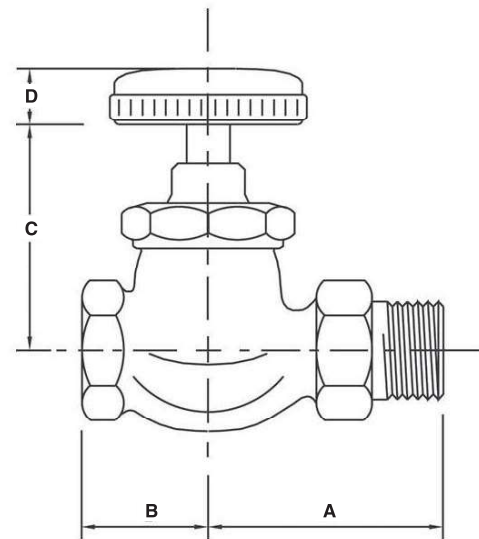
### Model 185C

#### Radiator Supply Valve

- Suitable for hot water, cold water or steam
- Brass / bronze construction
- Non-rising stem; packless construction
- Available in angle and straight pattern design
- Sizes from 1/2" to 2"
- Maximum working pressure: 150 PSIG
- Maximum temperature: 400° F



Angle Pattern



Straight Pattern

| Model 185C Dimensional Data (inches) |          |       |       |         |         |       |
|--------------------------------------|----------|-------|-------|---------|---------|-------|
| Part Number                          | Style    | Size  | A     | B       | C       | D     |
| 405099                               | Angle    | 1/2   | 2-3/8 | 1-3/16  | 2-3/16  | 7/8   |
| 405102                               | Angle    | 3/4   | 2-7/8 | 1-3/16  | 2-3/16  | 7/8   |
| 405105                               | Angle    | 1     | 3-1/8 | 1-1/2   | 2-5/16  | 1     |
| 405108                               | Angle    | 1-1/4 | 3-1/2 | 1-3/4   | 2-5/8   | 1     |
| 405111                               | Angle    | 1-1/2 | 3-7/8 | 1-15/16 | 2-13/16 | 1-1/8 |
| 405144                               | Angle    | 2     | 4-3/8 | 2-3/8   | 3-1/4   | 1-1/8 |
| 405114                               | Straight | 1/2   | 2-3/8 | 1-3/8   | 2-11/16 | 7/8   |
| 405117                               | Straight | 3/4   | 2-7/8 | 1-3/8   | 2-13/16 | 7/8   |
| 405120                               | Straight | 1     | 3-1/8 | 1-11/16 | 3-1/16  | 1     |
| 405123                               | Straight | 1-1/4 | 3-5/8 | 2       | 3-9/16  | 1     |
| 405126                               | Straight | 1-1/2 | 3-7/8 | 2-3/8   | 3-7/8   | 1-1/8 |
| 407051                               | Straight | 2     | 4-3/8 | 2-3/4   | 4-1/2   | 1-1/8 |