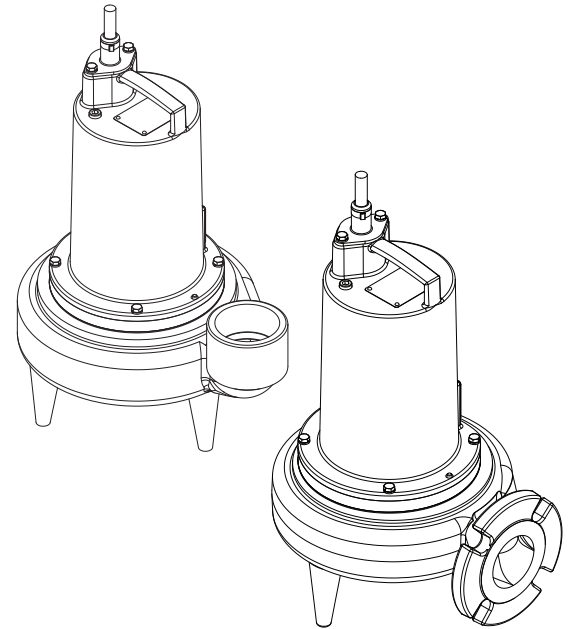


<b>DISCHARGE</b> .....	3" NPT, Vertical 3" Flanged, Horizontal
<b>LIQUID TEMPERATURE</b> .....	104°F (40°C) Continuous
<b>VOLUTE</b> .....	Cast Iron ASTM, Class 30
<b>MOTOR HOUSING</b> .....	Cast Iron ASTM, Class 30
<b>SEAL PLATE</b> .....	Cast Iron ASTM A-48, Class 30
<b>IMPELLER: Design</b> .....	2 Vane, Semi-open with pump out vanes on back side. Dynamically balanced, ISO G6.3
<i>Material</i> .....	Cast Iron, Class 30
<b>SHAFT</b> .....	416 Stainless Steel
<b>SQUARE RINGS</b> .....	Buna-N
<b>HARDWARE</b> .....	300 Series Stainless Steel
<b>PAINT</b> .....	Air Dry Enamel
<b>SEAL: Design</b> .....	Single Mechanical
<i>Material</i> .....	Carbon/Ceramic/Buna-N Hardware -300 Series Stainless
<b>CORD ENTRY</b> .....	30 ft. (9.1m) Cord. Quick connect custom molded for sealing and strain relief
<b>SPEED</b> .....	1750 RPM (Nominal), 60Hz
<b>UPPER BEARING</b> .....	Single Row, Ball, Oil lubricated
<i>Load</i> .....	Radial
<b>LOWER BEARING</b> .....	Single Row, Ball, Oil lubricated
<i>Load</i> .....	Radial & Thrust
<b>MOTOR: Design</b> .....	NEMA L -Single Phase, NEMA B -Three phase Torque Curve, Oil Filled, Squirrel Cage Induction
<i>Insulation</i> .....	Class B Class F on selected models
<b>SINGLE PHASE</b> .....	Permanent Split Capacitor (PSC) Includes Overload Protection in Motor
<b>THREE PHASE</b> .....	200-230/460 is Tri-Voltage. 575. Requires Overload Protection to be included in control panel
<b>OPTIONAL EQUIPMENT</b> .....	Seal Material, Impeller Trims, Additional cord. Normally closed temperature sensor with cord for 3 Phase pumps (Requires relay in control panel)

**RECOMMENDED:**

<i>Accessories</i> .....	Break Away Fitting (BAF) Check Valve Control Panel
<i>Seal Kit PN</i> .....	130181
<i>Service Kit PN</i> .....	130208



**Series: 3SE-L**  
**1.5 & 2HP, 1750RPM, 60Hz**

**Series: 3SEH-L**  
**2HP, 1750RPM, 60Hz**

Sample Specifications: Section 1 Page 3.

**DESCRIPTION:**

SUBMERSIBLE NON-CLOG SEWAGE PUMP  
DESIGNED FOR TYPICAL RAW SEWAGE  
APPLICATIONS



**WARNING:**

CANCER AND REPRODUCTIVE HARM -  
WWW.P65WARNINGS.CA.GOV



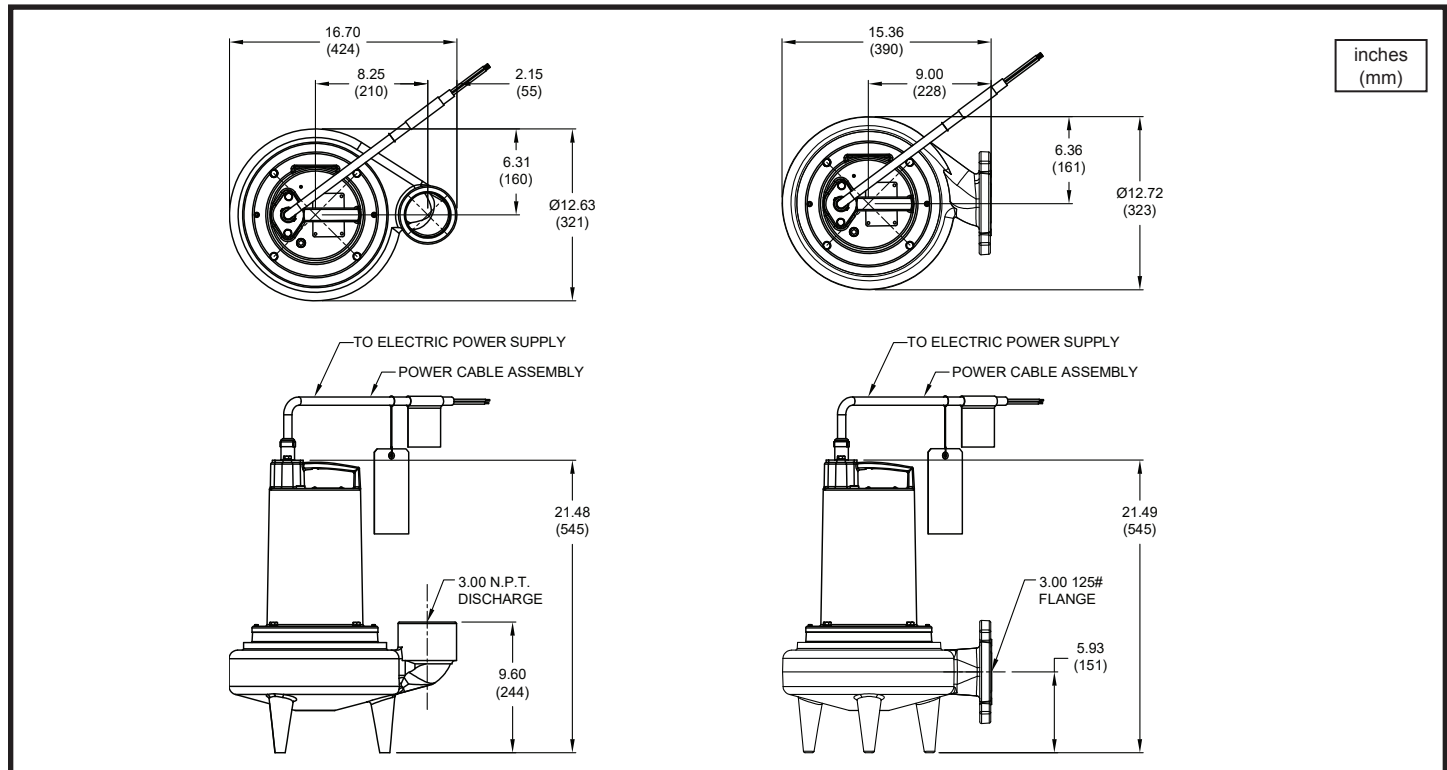
# Series 3SE-L

2½" Spherical Solids Handling  
Single Seal

# BARNES®

www.cranepumps.com

## 1½", 2" & 3" Discharge



MODEL NO	PART NO	HP	VOLT/PH	Hz	RPM (Nom)	NEMA START CODE	INSUL. CLASS	FULL LOAD AMPS	LOCKED ROTOR AMPS	CORD SIZE	CORD TYPE	CORD O.D inch (mm)
<b>VERTICAL Series</b>												
3SE1524L	132725	1.5	230/1	60	1750	C	F	16.0	44.6	12/3	SOOW/SOW	0.610 (15.5)
3SE1594L	132730	1.5	200-230/3	60	1750	D/G	F	13.3/11.6	35.8/41.2	12/4	SOOW/SOW	0.680 (17.4)
3SE1544L	132735	1.5	460/3	60	1750	G	F	5.8	20.6	14/4	SOOW/SOW	0.570 (14.5)
3SE1554L	132740	1.5	575/3	60	1750	G	B	4.6	16.4	14/4	SOOW/SOW	0.570 (14.5)
3SE2024L	132750	2.0	230/1	60	1750	A	F	19.0	44.6	10/3	SOOW/SOW	0.660 (16.8)
3SE2094L	132752	2.0	200-230/3	60	1750	B/D	F	15.2/13.2	35.8/41.2	12/4	SOOW/SOW	0.680 (17.4)
3SE2044L	132754	2.0	460/3	60	1750	D	F	6.6	20.6	14/4	SOOW/SOW	0.570 (14.5)
3SE2054L	132756	2.0	575/3	60	1750	D	B	5.2	16.4	14/4	SOOW/SOW	0.570 (14.5)
<b>HORIZONTAL Series</b>												
3SEH1524L	13272H	1.5	230/1	60	1750	C	F	16.0	44.6	12/3	SOOW/SOW	0.610 (15.5)
3SEH1594L	132730H	1.5	200-230/3	60	1750	C	F	13.3/11.6	35.8/41.2	12/4	SOOW/SOW	0.680 (17.4)
3SEH1544L	132735H	1.5	460/3	60	1750	C	F	5.8	20.6	14/4	SOOW/SOW	0.570 (14.5)
3SEH1554L	132740H	1.5	575/3	60	1750	C	B	4.6	16.4	14/4	SOOW/SOW	0.570 (14.5)
3SEH2024L	132750H	2.0	230/1	60	1750	A	F	19.0	44.6	10/3	SOOW/SOW	0.660 (16.8)
3SEH2094L	132752H	2.0	200-230/3	60	1750	B/D	F	15.2/13.2	35.8/41.2	12/4	SOOW/SOW	0.680 (17.4)
3SEH2044L	132754H	2.0	460/3	60	1750	D	F	6.6	20.6	14/4	SOOW/SOW	0.570 (14.5)
3SEH2054L	132756H	2.0	575/3	60	1750	D	B	5.2	16.4	14/4	SOOW/SOW	0.570 (14.5)

Optional - Temperature Sensor Cord for 3 Phase models are 14/3 & 18/5. SOOW / SOW, 0.530 (13.5mm) / 0.470 (11.9mm) O.D.

### IMPORTANT !

- 1.) PUMP MAY BE OPERATED "DRY" FOR EXTENDED PERIODS WITHOUT DAMAGE TO MOTOR AND/OR SEALS.
- 2.) INSTALLATIONS SUCH AS DECORATIVE FOUNTAINS OR WATER FEATURES PROVIDED FOR VISUAL ENJOYMENT MUST BE INSTALLED IN ACCORDANCE WITH THE NATIONAL ELECTRIC CODE ANSI/NFPA 70 AND/OR THE AUTHORITY HAVING JURISDICTION. THIS PUMP IS NOT INTENDED FOR USE IN SWIMMING POOLS, RECREATIONAL WATER PARKS, OR INSTALLATIONS IN WHICH HUMAN CONTACT WITH PUMPED MEDIA IS A COMMON OCCURRENCE.

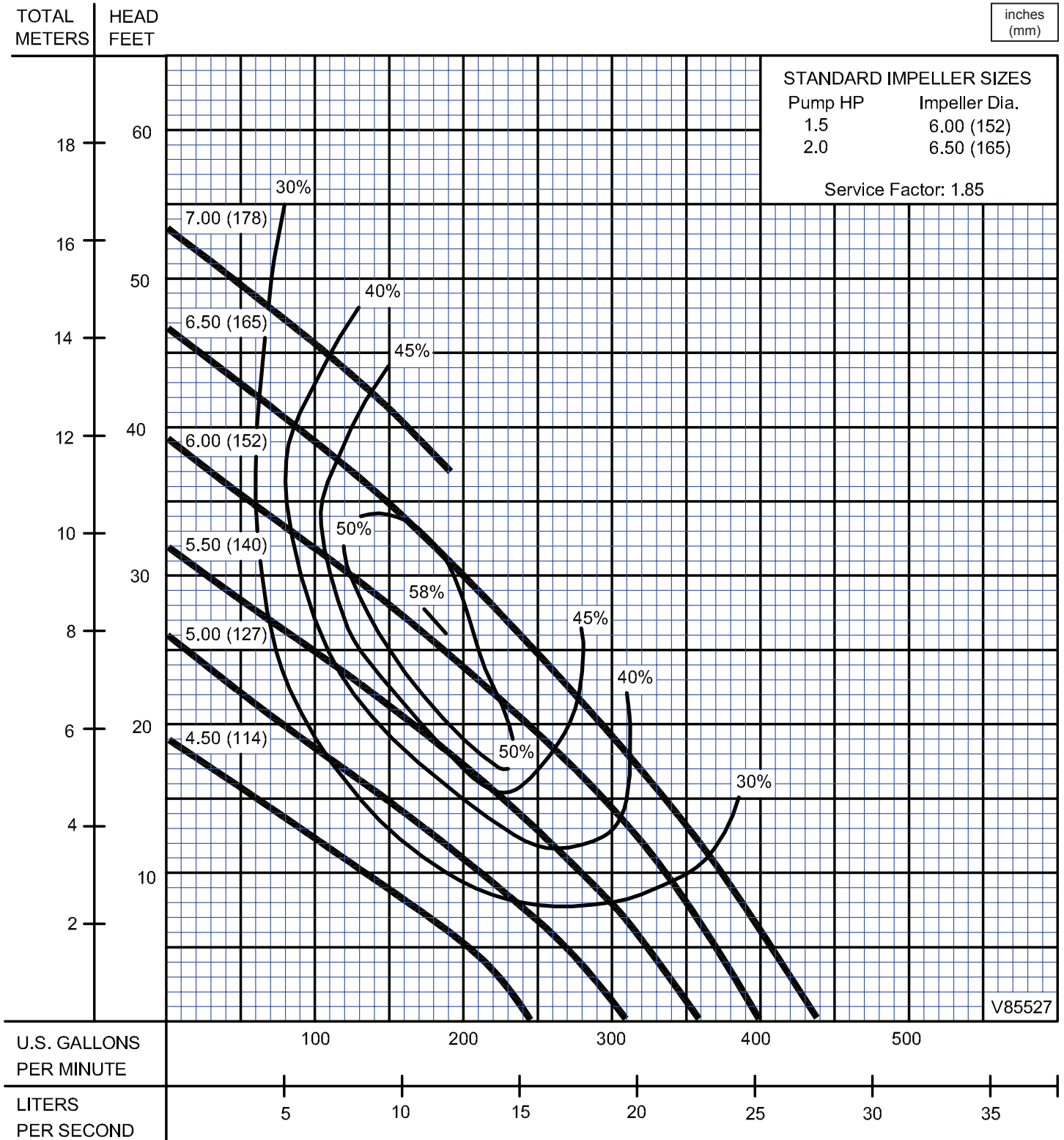
SECTION 1B  
PAGE 48  
DATE 3/20

**CRANE**®

A Crane Co. Company

PUMPS & SYSTEMS

USA: (937) 778-8947 • Canada: (905) 457-6223 • International: (937) 615-3598



Testing is performed with water, specific gravity 1.0 @ 68° F @ (20°C), other fluids may vary performance