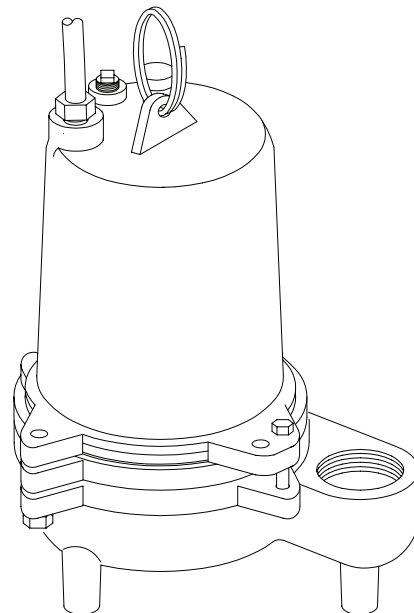


DISCHARGE2" NPT, Female, Vertical
LIQUID TEMPERATURE
SE41177°F (25°C) Continuous
SE421104°F (40°C) Continuous
VOLUTE Cast Iron ASTM A-48, Class 30
MOTOR HOUSING Cast Iron ASTM A-48, Class 30
SEAL PLATE Cast Iron ASTM A-48, Class 30
IMPELLER:
Design.....2 Vane, Open with pump out vanes on back side, Dynamically Balanced, ISO G6.3
Material Cast Iron ASTM A-48, Class 30
SHAFT416 Stainless Steel
SQUARE RINGSBuna-N
HARDWARE300 Series Stainless Steel
PAINTAir Dry Enamel
SEAL: *Design*Single Mechanical, Oil Filled Reservoir, Secondary Exclusion Seal
MaterialCarbon/Ceramic/Buna-N
Hardware - 300 Series Stainless
CORD ENTRY 15 ft. (5m) Quick Disconnect Cord with plug On 115Volt, Pressure Grommet for sealing and strain relief
SPEED 1750 RPM (Nominal)
UPPER BEARING.....Single Row, Ball, Oil Lubricated
Load.....Radial
LOWER BEARING.....Single Row, Ball, Oil Lubricated
Load.....Radial & Thrust
MOTOR: *Design* NEMA L Torque Curve, Oil Filled, Squirrel Cage Induction
Insulation Class B
SINGLE PHASE.....Permanent Split Capacitor (PSC) Includes Overload Protection in Motor
LEVEL CONTROL "A" - Wide Angle, PVC, Mechanical, 15 ft (5m) cord with Piggy-Back Plug, N/O
"VF" - Vertical Float, PVC, Snap Action, 15 ft (5m) cord, with Piggy-Back plug. OFF point ONLY is adjustable
OPTIONAL EQUIPMENTSeal Material, Additional Cord

RECOMMENDED:

Accessories..... Break Away Fitting (BAF)
Check Valve
Control Panel
Seal Kit PN085202
Service Kit PN.085201



Series: SE (SE411 & SE421) .4HP, 1750RPM, 60Hz

Sample Specifications: Section 1 Page 3.

DESCRIPTION:

SUBMERSIBLE NON-CLOG SEWAGE PUMP
DESIGNED FOR TYPICAL RAW SEWAGE
APPLICATIONS



WARNING:
CANCER AND REPRODUCTIVE HARM -
WWW.P65WARNINGS.CA.GOV



Series SE-411/421

2" Spherical Solids Handling
Manual & Automatic

BARNES®

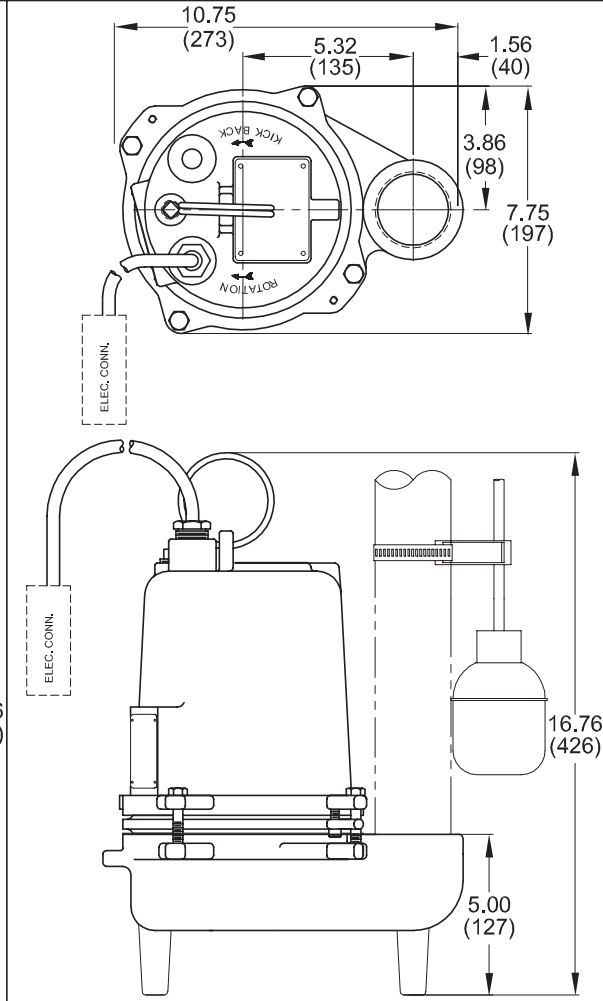
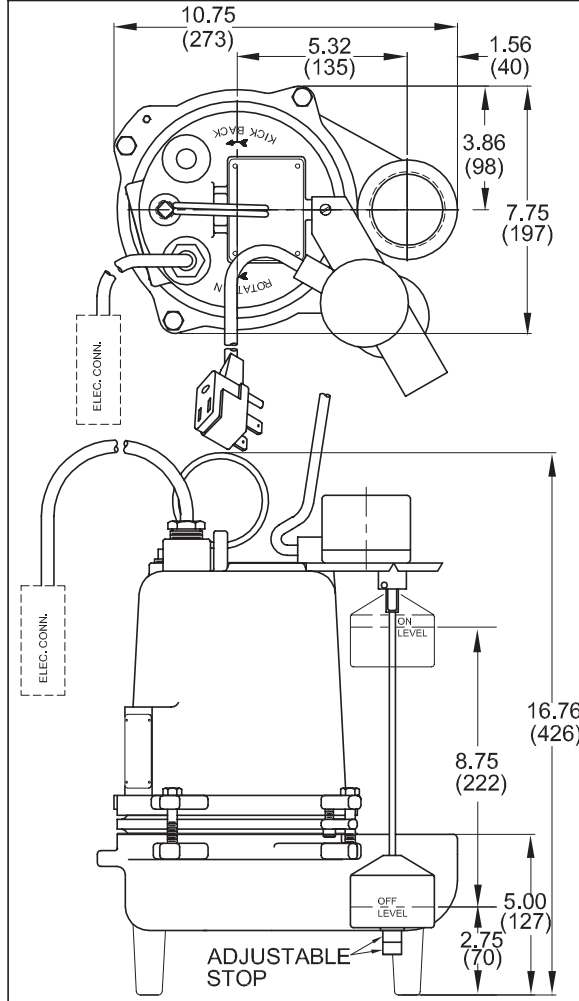
www.cranepumps.com

1½", 2" & 3" Discharge

SE411VF

SE411 & SE421 (Less Float)
SE411A

inches
(mm)



MODEL NO	PART NO	HP	VOLT/PH	Hz	RPM (Nom)	NEMA START CODE	FULL LOAD AMPS	LOCKED ROTOR AMPS	CORD SIZE	CORD TYPE	CORD O.D inch (mm)
SE411	096747	0.4	115/1	60	1750	C	12.0	19.0	16/3	SJTOW	0.310 (7.9)
SE411A	096748	0.4	115/1	60	1750	C	12.0	19.0	16/3	SJTOW	0.310 (7.9)
SE411VF	100836	0.4	115/1	60	1750	C	12.0	19.0	16/3	SJTOW	0.310 (7.9)
SE421	096750	0.4	230/1	60	1750	C	6.2	13.0	14/3	SJTOW	0.375 (9.5)

Mechanical Switch on SE-A, cord 16/2, SJOW, Piggy-Back Plug
Vertical Switch on SE-VF, cord 16/2, SJOW, 0.320 (8.1mm) O.D. Piggy-Back Plug

IMPORTANT !

- 1.) PUMP MAY BE OPERATED "DRY" FOR EXTENDED PERIODS WITHOUT DAMAGE TO MOTOR AND/OR SEALS.
- 2.) INSTALLATIONS SUCH AS DECORATIVE FOUNTAINS OR WATER FEATURES PROVIDED FOR VISUAL ENJOYMENT MUST BE INSTALLED IN ACCORDANCE WITH THE NATIONAL ELECTRIC CODE ANSI/NFPA 70 AND/OR THE AUTHORITY HAVING JURISDICTION. THIS PUMP IS NOT INTENDED FOR USE IN SWIMMING POOLS, RECREATIONAL WATER PARKS, OR INSTALLATIONS IN WHICH HUMAN CONTACT WITH PUMPED MEDIA IS A COMMON OCCURRENCE.

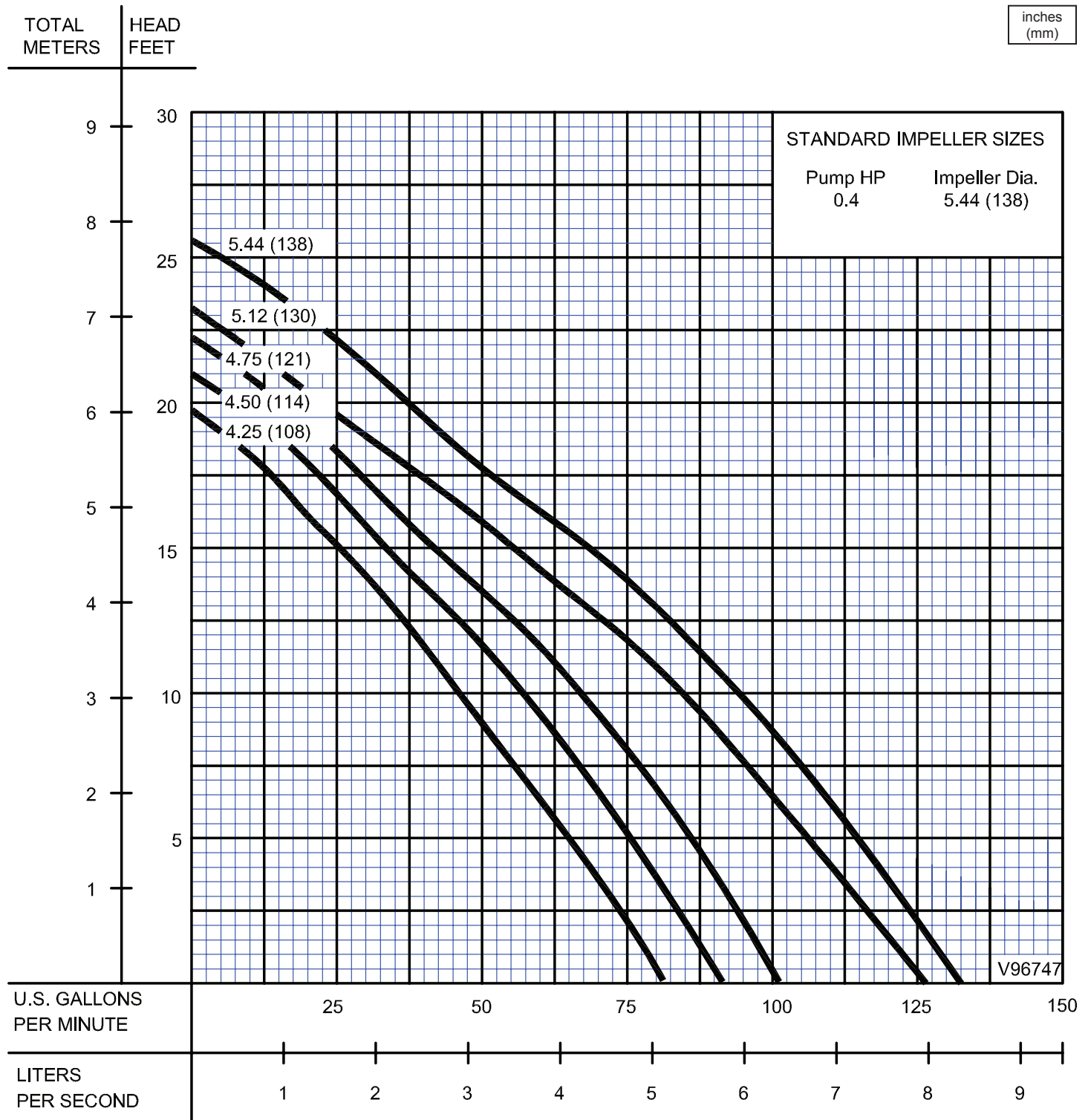
SECTION 1B
PAGE 2
DATE 4/15

CRANE®

A Crane Co. Company

PUMPS & SYSTEMS

USA: (937) 778-8947 • Canada: (905) 457-6223 • International: (937) 615-3598



Testing is performed with water, specific gravity 1.0 @ 68° F @ (20°C), other fluids may vary performance