

ALBANY PUMP COMPANY LTD

(since 1906)

Phone (888) 334-3348 Fax (888) 335-3391

www.albanypump.com



ALBANY SBS SINGLE BASKET STRAINER & FILTER



SERVICE RECOMMENDATIONS

These strainers are used to remove foreign matter from pipe lines and provide inexpensive protection to pumps, meters, valves, etc. The SBS Series can be specified for Strainer applications from 20 mesh to 200 mesh, and can be specified for Filter applications to 5 Micron.

FEATURES

These strainers have been designed for applications where easy maintenance & large capacity straining are needed. Service time is minimal because the cover is secured with quick opening, non-yoke type knobs. Both the cover & the basket use O-ring seals, eliminating the need to replace gaskets each time the strainer is serviced. This, combined with the machined basket seat, eliminates particle bypass. With the appropriate wire mesh lining, these models can be used to strain particles as small as five microns.

CONSTRUCTION

Cast cover and body. All sizes feature an O-ring cover seal. Baskets and O-ring are sealed in machined seats. Quick release knobs are insert molded with metal threads. An NPT connection is provided. Coatings are available on application. Standard strainers basket 304 ss. Filter elements are available in 5, 10, 25, and 40 micron. Viton O-ring is standard.

CAPACITY: Minimum 6 to 1 open area ratio.

PRESSURE RATING: 150 PSI

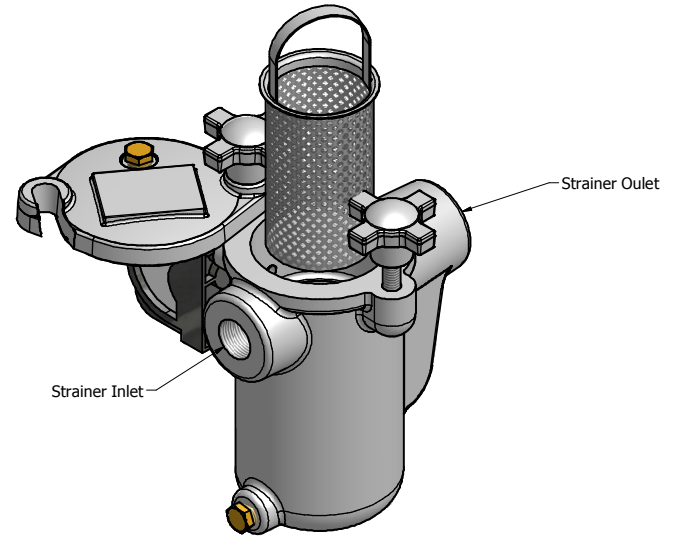
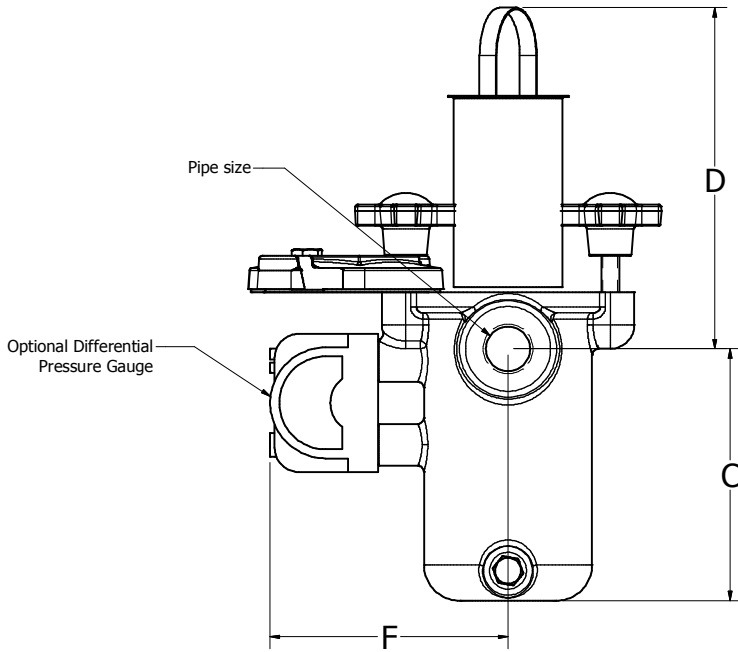
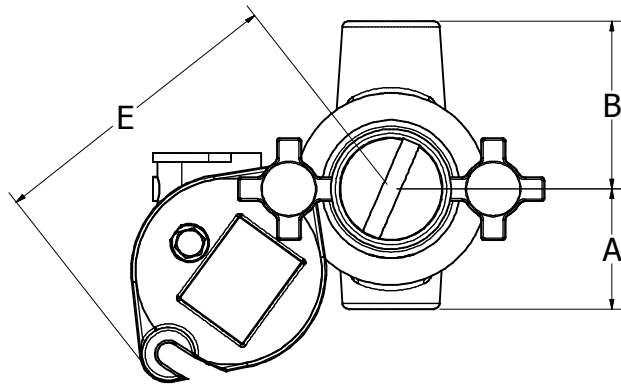
RATING: Shell test pressure = 1.5 times working pressure.

CASING TEMPERATURE RATING: + 2000°F

Available with Mesh Screens for Strainer

Available with Micron Elements for Filter





Pipe size	Weight	A	B	C	D	E	F
3/4"	8.5 lbs.	2.50"	3.50"	5.25"	7.00"	6.50"	5.00"
1"	8.5 lbs.	2.50"	3.50"	5.25"	7.00"	6.50"	5.00"
1-1/4"	17 lbs	2.75"	4.25"	8"}	9.5"	N/A	5"
1-1/2"	17 lbs	2.75"	4.25"	8"	9.5"	N/A	5"
2"	25 lbs	4"	6"	9.5"	12.5"	N/A	6"



DRAWN <i>Dan</i>	16/06/2008	Albany Pump Company	
CHECKED		TITLE SBS Strainer Dimensions	
QA		PART NUMBER Simplex Strainers	
MFG		SIZE C	DWG NO Simplex Assembly2-1.dwg
APPROVED		SCALE	REV
		SHEET 1 OF 1	

ALBANY PUMP COMPANY LTD

(since 1906)

Phone (888) 334-3348 Fax (888) 335-3391

www.albanypump.com

ALBANY 'SBS' SERIES SINGLE BASKET STRAINERS **LISTED TO ULC/ORD-C331**

MODEL	DESCRIPTION
SBS-050	Cast Iron Body; size ½" NPT - includes Qty. (1) Filter or Strainer Elemen (specify Mesh or Micron size when ordering)
SBS-075	Cast Iron Body; size ¾" NPT - includes Qty. (1) Filter or Strainer Elemen (specify Mesh or Micron size when ordering)
SBS-100	Cast Iron Body; size 1" NPT - includes Qty. (1) Filter or Strainer Elemen (specify Mesh or Micron size when ordering)
SBS-125	Cast Iron Body; size 1-1/4" NPT - includes Qty. (1) Filter or Strainer Elemen (specify Mesh or Micron size when ordering)
SBS-150	Cast Iron Body; size 1-1/2" NPT - includes Qty. (1) Filter or Strainer Elemen (specify Mesh or Micron size when ordering)
SBS-200	Cast Iron Body; size 2" NPT - includes Qty. (1) Filter or Strainer Elemen (specify Mesh or Micron size when ordering)
SBS-250	Cast Iron Body; size 2-1/2" - includes Qty. (1) Filter or Strainer Elemen (specify Mesh or Micron size when ordering)

ACCESSORIES:

Differential Pressure Indicator (Part No. DPP)

Differential Pressure Indicator w/ MA Ouput (Part No. DPP-RMB)

Replacement Baskets for ½" to 1" (specify Mesh or Micron Size)

Replacement Baskets for 1-1/4" to 1-1/2" (specify Mesh or Micron Size)

Replacement Baskets for 2" & 2-1/2" (specify Mesh or Micron Size)

