

IBC VENTS

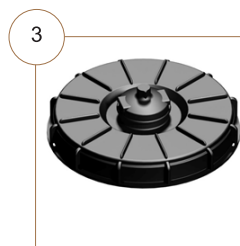
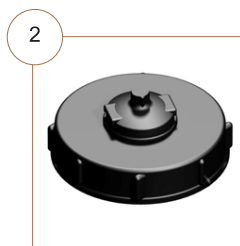
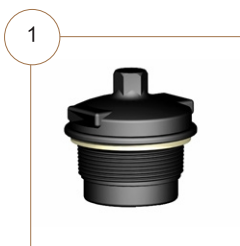
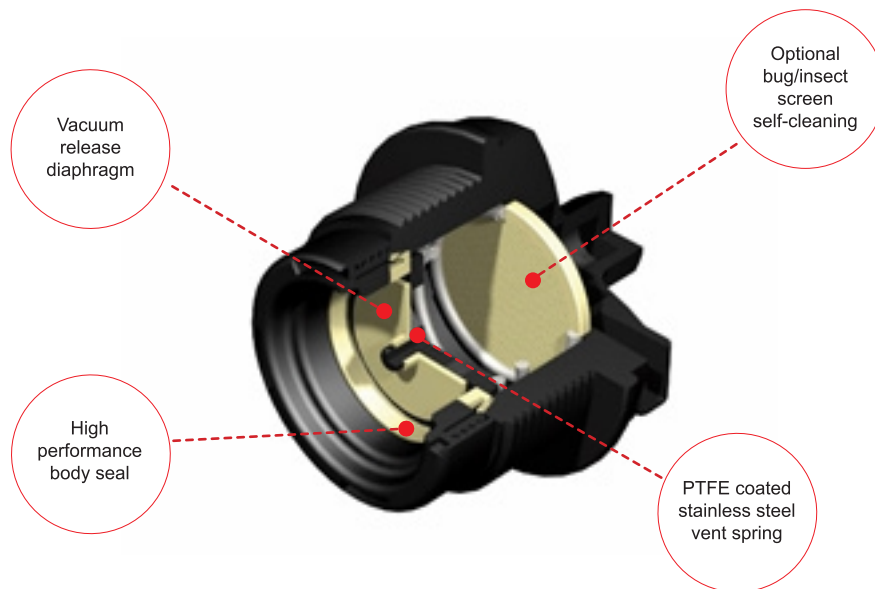
page 1 of 2

IBC ANTI-VACUUM AND ANTI-PRESSURE DUAL ACTION VENTS

IF YOU NEED HIGH VOLUME IBC FILLING AND EMPTYING, CONSIDER THE CPP DUAL VENT 6" IBC CAPS.

Designed to protect 275 and 330-gallon IBC's from damage during the filling and emptying processes WITHOUT the need for the operators to remove the 6" fill port cap. This ensures product security/contamination and operator safety. Molded from glass coupled FDA Food Grade Polypropylene with a PTFE coated SS spring gives you the chemical resistance, compatibility and durability you expect from CPP products

The standard CPP IBC Dual Action vent can be bought ready fitted into a 6" and 9" Fill Port cap or as a stand alone vent to be retrofitted into any 2" female NPT/NPS thread. The vent is fitted with a body seal to prevent the ingress of water and debris.



	PART NUMBER	
1	HMVMN20MM027	2" NPS male vent, anti vacuum & pressure, G/P/P SAN.
2	IBC150P20BV027	150mm (6") IBC fill cap with 2" vent, G/P/P
3	IBC240P20BVHD	220mm (9") IBC fill cap with EPDM seal - 2" BSP male vent, anti vacuum & pressure, G/P/P SAN.SS
4	DBMP20B027	BCS G2 x 11.5 (2" BSP/NPS) C/W o-ring, plug,G/P/P




JJ DOWNS INDUSTRIAL PLASTICS INC.

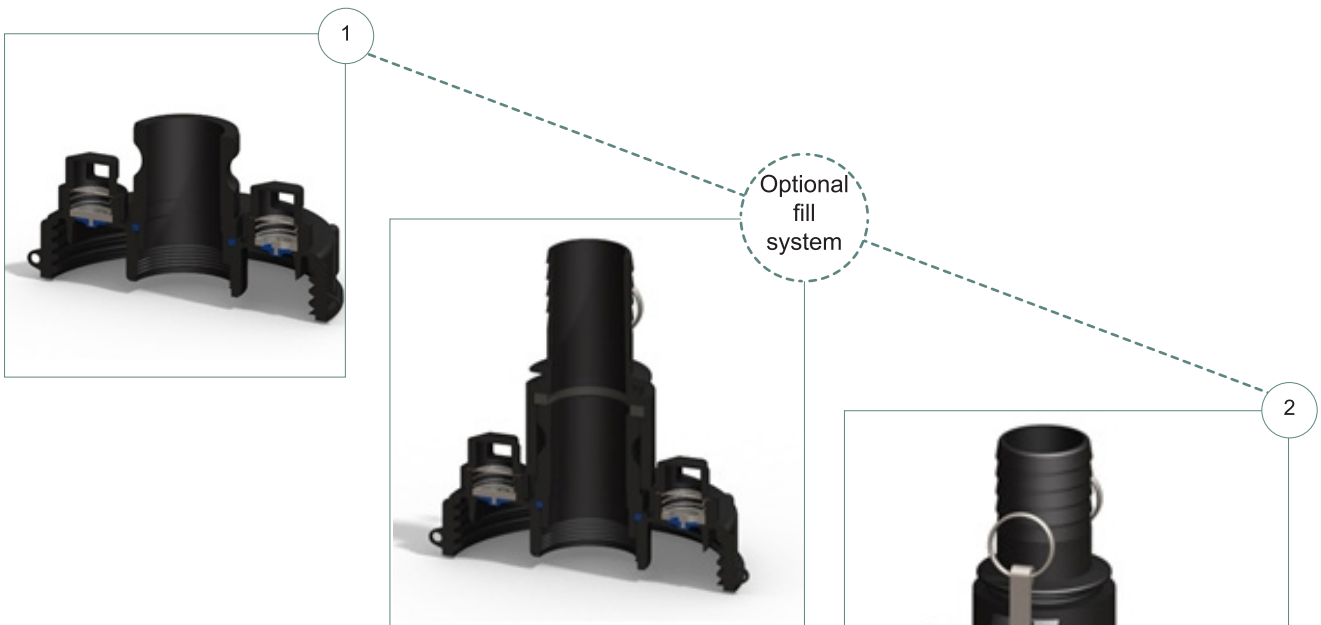
416.236.1884
Toronto, ON
JJDOWNS.COM

IBC VENTS

page 2 of 2



	PART NUMBER	
1	DBMP20B027	BCS G2 x 11.5 (2" BSP/NPS) C/W o-ring, plug, G/P/P
2	IBC150P20BV027	150mm (6") IBC fill cap with 2" vent, G/P/P
3	IBC150P20BDV027	150mm (6") IBC fill lid/cap, 2 fast auto vents, G2 X 11.5 - plug fitted, G/P/P



	PART NUMBER	
1	CMF20B027	2" Part 'F' 2" Camlock Adaptor x 2" BSP Male G/P/PW
2	CFC20T027	2" part 'C', 2" camlock coupler X 2" (50mm) hose tail



JJ DOWNS INDUSTRIAL PLASTICS INC.

416.236.1884 Toronto, ON JJDOWNNS.COM



member
iapd
international association
of plastics distribution