

# Type 761 Diaphragm Valves



## manual operation

SERIES: Type 761

SIZES: 1/2" – 2-1/2"

ENDS: True Union Socket, Threaded or ChemFlare™<sup>1</sup> Spigot<sup>2</sup> bodies with Plain, Socket, Threaded or Flanged ends

DIAPHRAGMS: EPDM<sup>3</sup>, FKM-B (Viton®) or PTFE



True Union Body

The **Type 761** Manual Diaphragm Valve is part of the 700 Series of diaphragm valves. 700 Series valves have modular design and interchangeable bodies, diaphragms and actuators. The Type 761 features compact size and all plastic construction for corrosion resistance and light weight. Being a diaphragm valve it is suitable for sanitary or slurry applications. Because it is slow closing, water hammer problems are eliminated. This is also a good throttling valve. With a PTFE diaphragm, it has corrosion resistance superior to ball or butterfly valves.

When a few manual valves are required on a system using the pneumatically actuated 700 Series, the Type 761 is a good choice because the bodies and diaphragms are the same.

## features

### Solid Plastic Body and Actuator

- Light weight
- Corrosion resistant inside and out

### Excellent for Sanitary Applications

- Self draining
- PVDF and unpigmented PP bodies are approved for food applications
- Sanitary clamp end connections are available

### Butt Fusion Ends available

- Spigot bodies are available 1/2" to 3" for direct butt fusion into Chemline PP and PVDF piping systems. All mechanical connections may be eliminated.

### Modular Construction

- Only 5 actuator and diaphragm sizes for 9 valve sizes. Spare parts requirements are minimized.

### No Maintenance

- Elastomer diaphragms have life well over one million cycles, but if necessary they are easy to replace

### Built-in Locking Device

- Handwheel locking system that prevents the valve from being operated
- Engaged by simply lifting the handwheel
- Accepts a lock or hasp



<sup>1</sup> For ChemFlare™ end connectors, consult JJ DOWNS INDUSTRIAL PLASTICS INC.

<sup>2</sup> PP and PVDF spigot ends have metric dimensions and will butt fuse directly to PP and PVDF piping systems. PVC spigots are ANSI.

<sup>3</sup> Epoxy cured EPDM

JJ DOWNS INDUSTRIAL PLASTICS INC.

JJDOWNS.COM

# Type 761 Diaphragm Valves

## Actuator Housing of PPG

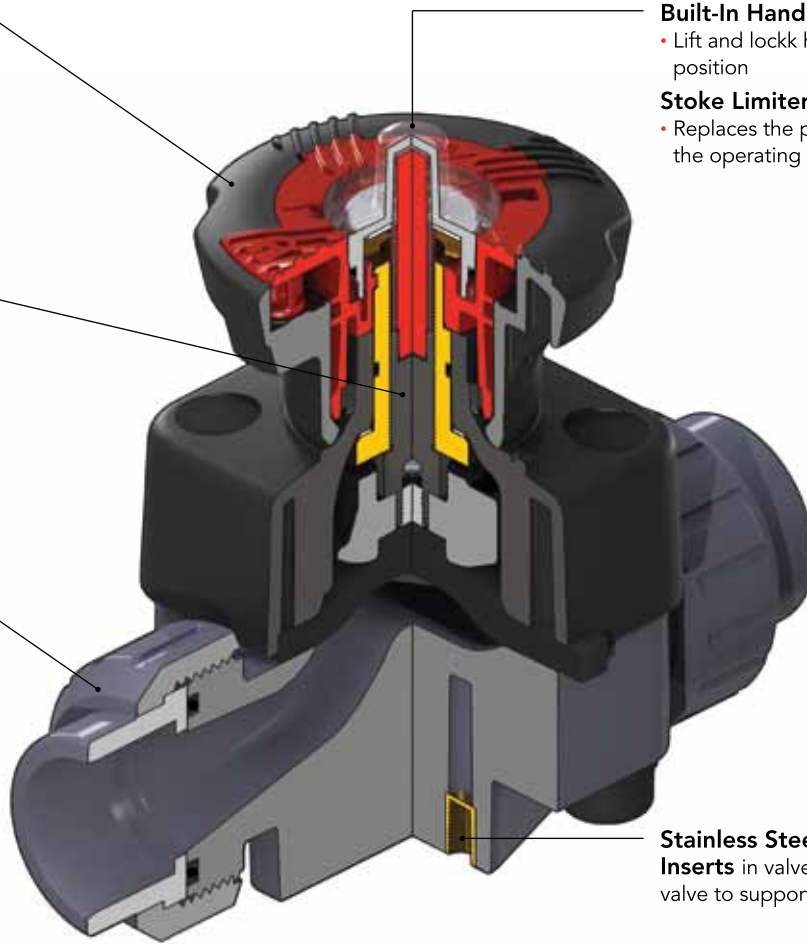
(Glass reinforced PP)  
Virtually unbreakable,  
corrosion proof and  
lightweight

## Polished SS Spindle and Self-Lubricating Bearing

provide extremely long  
cycling life

## True Union Body

- For easy replacement without modifying the piping
- Spigot or solid flanged bodies are also available



## Built-In Handle Locking Device

- Lift and lock handwheel in the required position

## Stroke Limiter Option

- Replaces the position indicator, to limit the operating range

**Stainless Steel Threaded Inserts** in valve base for fixing valve to support structures

## LINE PRESSURES VS. TEMPERATURE PSI

Temperature		PVC	PP	CPVC	PVDF
°C	°F				
0-27	32-80	150	150	150	150
35	95	110	110	140	150
45	113	60	75	110	130
60	140	25	60	90	120
80	176	-	20	50	95
100	212	-	15	15	75
120	248	-	-	-	45

# JJD

JJ DOWNS INDUSTRIAL PLASTICS INC

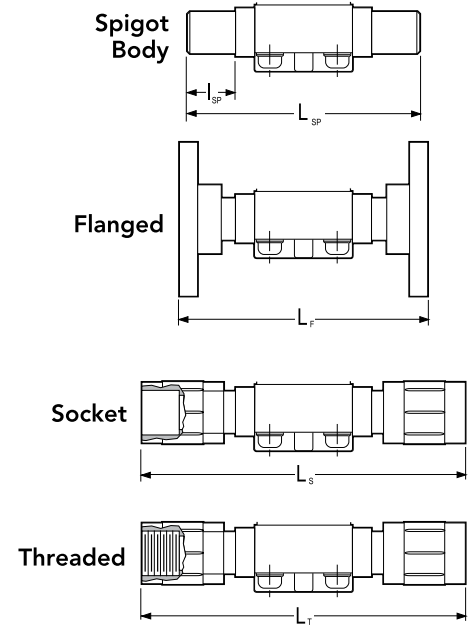
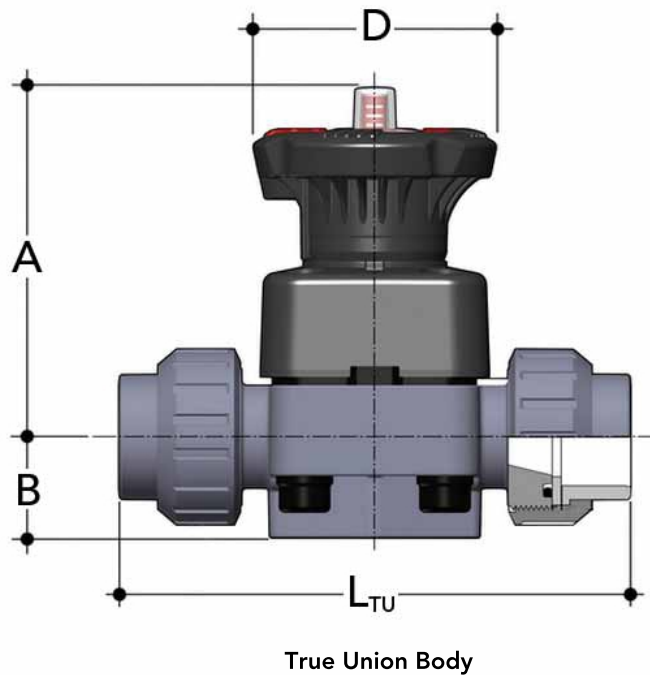
416.236.1884

JJDOWNS.COM

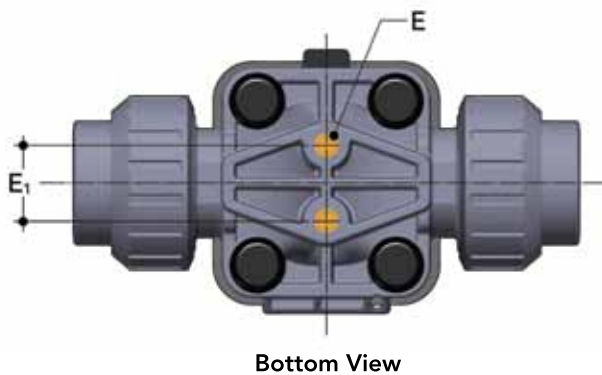
Toronto, ON



# Type 761 Diaphragm Valves



NON UNION ENDS



**DIMENSIONS** INCHES

**C<sub>v</sub>**  
**WEIGHTS VALUES**

Size	A	B	D	E	E <sub>1</sub>	I <sub>SP</sub>	Union		Soc		PVC/CPVC		PP/PVDF		Pounds	C <sub>v</sub>
							L <sub>TU</sub>	L <sub>SP</sub>	L <sub>S</sub>	L <sub>T</sub>	Flg <sup>1</sup> L <sub>F</sub>	Flg <sup>1</sup> L <sub>F</sub>	Flg <sup>2</sup> "S" <sup>2</sup> L <sub>FS</sub>			
1/2"	4.0	1.0	3.1	M6	1.0	0.6	5.6	4.9	6.9	6.7	5.2	6.8	—	1.2	7.5	
3/4"	4.1	1.2	3.1	M6	1.0	0.7	6.6	5.7	8.1	7.5	6.0	7.6	5.9	1.4	17.5	
1"	4.5	1.3	3.1	M6	1.0	0.9	7.1	6.1	8.6	8.3	6.3	8.0	5.9	2.0	29.9	
1-1/4"	4.7	1.2	3.1	M8	1.8	1.0	8.2	6.9	9.5	9.1	7.2	8.8	6.4	2.4	36.9	
1-1/2"	5.8	1.4	4.7	M8	1.8	1.2	9.2	7.6	10.8	10.8	8.1	9.5	6.9	4.4	72.9	
2"	6.8	1.8	4.7	M8	1.8	1.5	10.7	8.8	12.1	11.1	9.3	10.7	7.9	7.1	110.5	
2-1/2"	6.8	2.0	4.7	M12	3.9	1.7	—	11.2	15.1	14.7	11.8	13.1	—	6.3	107.3	

<sup>1</sup> Socket, Threaded and Flanged fabricated are for PVC and CPVC valves only.  
Consult JJ DOWNS INDUSTRIAL PLASTICS INC. for PP or PVDF fabricated spigot body dimensions.

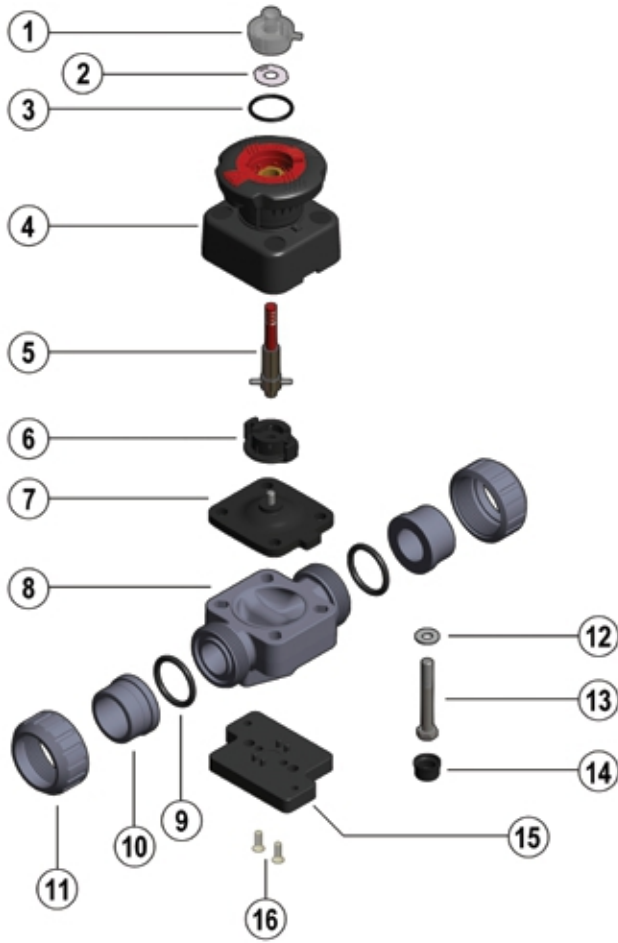
Weights are for PVC Spigot valves.

<sup>2</sup> Flanged "S" = ITT Saunders plastic lined valve length.

JJ DOWNS INDUSTRIAL PLASTICS INC.

**JJDOWNS.COM**

# Type 761 Diaphragm Valves



## PARTS

▲ Recommended Spare Parts

No.	Part	Pcs.	Materials
1▲	Transparent Cap	1	PVC
2	Customization Plate	1	PVC
3	Cap O-Ring	1	EPDM
4	Bonnet Handwheel	1	PP-GR/PVDF
5	Threaded Stem Ind.	1	Stainless Steel
6	Compressor	1	IXEF
7▲	Diaphragm Seal	1	EPDM, FKM (Viton®), PTFE
8▲	Valve Body	1	PVC, CPVF, PP, PVDF
9▲	Socket Seal O-Ring	2	EPDM, FKM
10▲	End Connector	2	PVC, CPVF, PP, PVDF
11▲	Union Nut	2	PVC, CPVF, PP, PVDF
12	Washer	4	Stainless Steel
13	Bolt	4	Stainless Steel
14	Protection Plug	4	PE
15	Distance Plate <sup>1</sup>	1	PP-GR
16	Screw <sup>1</sup>	2	Stainless Steel

<sup>1</sup>Accessories

## ORDERING EXAMPLE

Diaphragm Valves	761	010		A	E	U
Size	005 – 1/2"    007 – 3/4" 015 – 1-1/2"    020 – 2"	010 – 1"    012 – 1-1/4" 025 – 2-1/2"				
Body Material	A – PVC    B – PP	C – CPVC    K – PVDF				
Diaphragm	E – EPDM    B – Nitrile P – PTFE one-piece <sup>1</sup>	V – FKM-B (Viton®) P2 – PTFE two-piece				
Ends	Blank – Spigot (Butt)	S – Socket    T – Threaded	F – Flanged	U – Union Socket	CF – ChemFlare™	

**Example:** Type 761 Diaphragm Valve, 1" PVC body, EPDM diaphragm, Socket Union ends.

<sup>1</sup>PTFE one-piece diaphragm is supplied standard.





**JJ DOWNS INDUSTRIAL PLASTICS INC.**

416.236.1884    Toronto, ON    JJDOWNS.COM