

MAINTENANCE INSTRUCTIONS

For Position Indicator for 720 Series Diaphragm Valve Size 3/8” & 1/2”

Installation (all sizes)

Refer to **ASSEMBLY DRAWING 720** and proceed as follows:

NOTE: Isolate the valve from the pipeline before performing any maintenance.

1. From bottom of body (1), remove the bolts (12) to release the actuator portion.
2. Remove the body from the actuator. Inspect and replace if necessary.
3. Unscrew the process diaphragm (2) from the adaptor assembly (6).
4. Inspect and replace process diaphragm if necessary.
5. To re-assemble valve follow steps 1 through 4 in reverse order, tightening to the bolt torques recommended in the chart below.

IMPORTANT When re-assembling valve ensure that holes in lower part of valve, diaphragm and cover are in line. When tightening diaphragm, if it stops turning before its tab lines up with that on the actuator, unscrew diaphragm totally until it backs off one screw thread, then retighten. The tab should now line up with that on the actuator. Also if attaching to actuator, ensure that all screw holes line up.

VALVE SIZE	DIAPHRAGM MATERIAL BOLT TORQUE (IN-LB)		
	EPDM	Viton	Teflon
3/8	13	13	18
1/2	13	13	18





JJD
JJ DOWNS INDUSTRIAL PLASTICS INC.

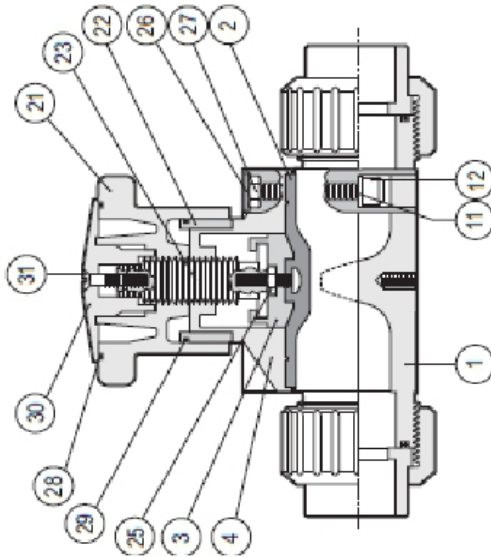
416.236.1884 Toronto, ON JJDOWNS.COM

Maintenance Instructions 720 Series Diaphragm Valve cont.

PARTS ▲ Recommended Spare Parts

No. Part	Pcs.	Materials
1 Body	1	PVC, PP, PVDF CPVC
2▲ Diaphragm	1	EPDM,FKM-B(Vitons®), PTFE
3 Compressor	1	PPS ¹
4 Bonnet	1	PPS ¹
11 Washer	4	304 SS
12 Socket Head Bolt	4	304 SS
21 Handwheel	1	PPS ¹
22 Position Indicator Collar	1	PVDF
23 Stem	1	304 SS
25 Hex Nut	1	304 SS
26 Bolt Cap	4	POM
27 Hex Nut	4	304 SS
28 Handwheel O-Ring (upper)	1	FKM-B (Vitons®)
29 Handwheel O-Ring (lower)	1	FKM-B (Vitons®)
30 Handwheel Cap	1	PPS ¹
31 Handwheel Screw	1	304 SS

¹ PPS = Polyphenylene sulfide



TITLE		SCALE	DATE
CHEMLINE 720 SERIES DIAPHRAGM VALVE		DR. BY	
REFERENCE		CHKD BY	DWG. NO.
3/8" & 1/2"		APP. BY	720
			REV.



Ontario
Water Works Association



JJD



IAPD
International Association
of Plastic Distributors

JJ DOWNS INDUSTRIAL PLASTICS INC.

416.236.1884
Toronto, ON
JJDOWNS.COM