

Type 720 Diaphragm Valves



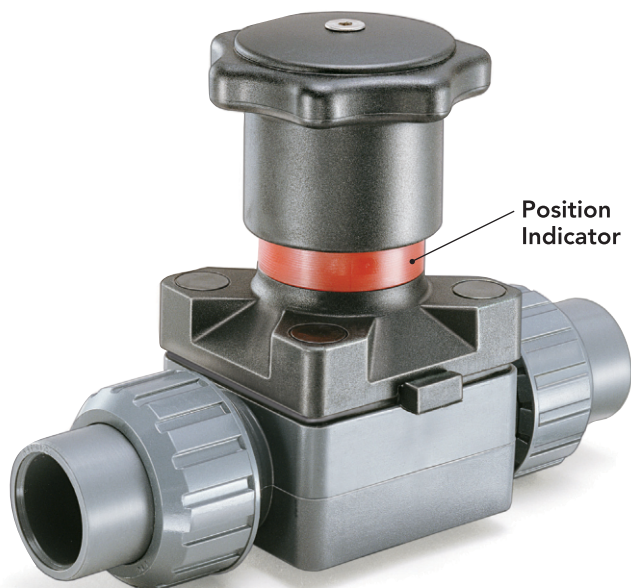
manual operation

SERIES: Type 720

SIZES: 3/8", 1/2"

ENDS: True Union Socket, Threaded or ChemFlare™¹ Spigot² bodies with Plain, Socket, Threaded or Flanged ends

DIAPHRAGMS: EPDM³, FKM-B (Viton®) or PTFE



True Union Body

The Type 720 Manually Operated Diaphragm Valve features compact size a large variety of body materials and end connections. It is much smaller than other 1/2" diaphragm valves.

This is a good throttling valve and is suitable for sanitary or slurry applications. With a PTFE diaphragm, it has corrosion resistance superior to a ball valve.

When a few manual valves are required on a system using the pneumatically actuated Type 710, the Type 720 is a good choice because the bodies and diaphragms are interchangeable.

features

Pressure rated to 90 psi

- 90 psi at 20°C for all materials

Solid Plastic Body and Actuator

- Light weight
- Corrosion resistant inside and out

Excellent for Sanitary Applications

- Self draining
- PVDF and unpigmented PP bodies are approved for food applications
- Sanitary Tri-clamp end connections are available

Butt Fusion Ends available

- Spigot bodies are available in 1/2" for direct butt fusion into Chemline PP and PVDF piping systems. All mechanical connections may be eliminated.

Adjustable Travel Stop

- Prevents excessive pressure on diaphragm, extending life

Sealed Handwheel

- Protects the stem from corrosive atmosphere

JJD

JJ DOWNS INDUSTRIAL PLASTICS INC.

JJDOWNNS.COM

243 Bering Avenue
Toronto, ON M8Z 3A5
416.236.1884
877.JJDOWNS
Fax: 416.236.3726

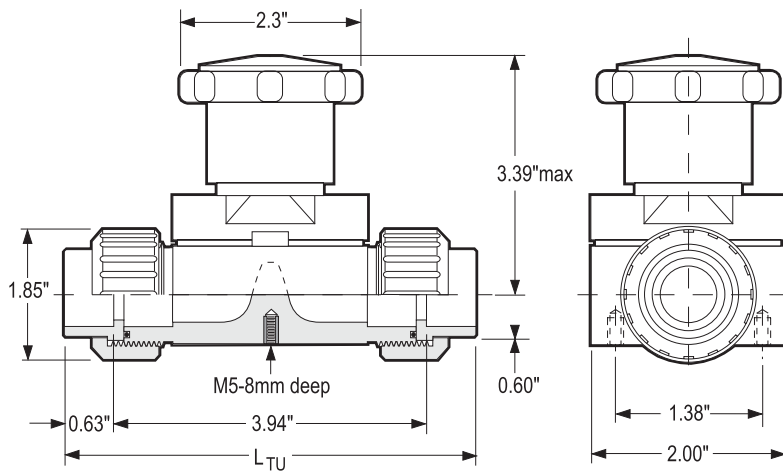
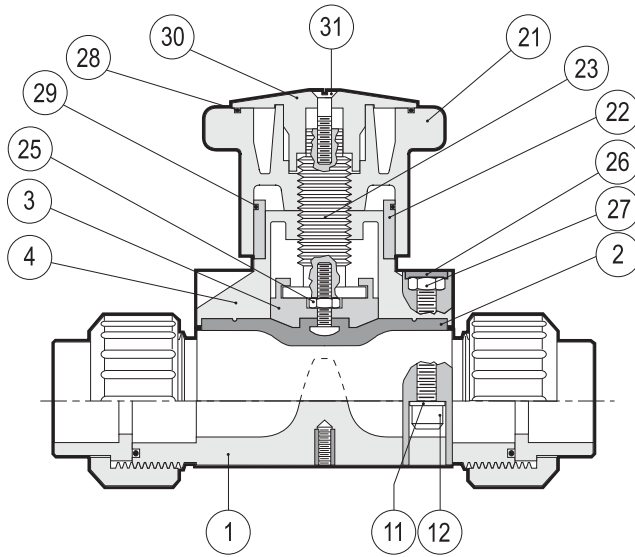


¹ For ChemFlare™ end connectors, consult JJ DOWNS INDUSTRIAL PLASTICS INC.

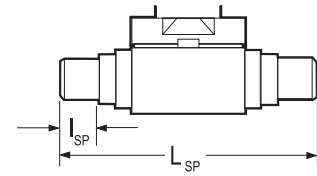
² PP and PVDF spigot ends have metric dimensions and will butt fuse directly to PP and PVDF piping systems. PVC spigots are ANSI.

³ Epoxy cured EPDM

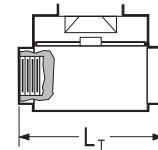
Type 720 Diaphragm Valves



True Union Body



Spigot Body



Female Threaded Body

PARTS

▲ Recommended Spare Parts

No.	Part	Pcs.	Materials
1	Body	1	PVC, PP, PVDF CPVC
2▲	Diaphragm	1	EPDM, FKM-B (Viton®), PTFE
3	Compressor	1	PPS ¹
4	Bonnet	1	PPS ¹
11	Washer	4	304 SS
12	Socket Head Bolt	4	304 SS
21	Handwheel	1	PPS ¹
22	Position Indicator Collar	1	PVDF
23	Stem	1	304 SS
25	Hex Nut	1	304 SS
26	Bolt Cap	4	POM
27	Hex Nut	4	304 SS
28	Handwheel O-Ring (upper)	1	FKM-B (Viton®)
29	Handwheel O-Ring (lower)	1	FKM-B (Viton®)
30	Handwheel Cap	1	PPS ¹
31	Handwheel Screw	1	304 SS

¹PPS = Polyphenylene sulfide

DIMENSIONS INCHES

Cv VALUES

Size	Union Soc L _{TU}	Spigot L _{SP}	Thd L _T	USGPM at 1 psi ΔP
3/8	5.12	4.88	2.91	3.3
1/2	5.12	4.88	2.91	4.1

ORDERING EXAMPLE

Diaphragm Valves	720	005	A	E	U
Size	003 – 3/8"	005 – 1/2"			
Body Material	A – PVC	B – PP	C – CPVC	K – PVDF	
Diaphragm	E – EPDM	B – Nitrile	V – FKM-B (Viton®)	P – PTFE	
Ends	Blank – Spigot (Butt)	T – Threaded	U – Union Socket	CFx – ChemFlare™	

Example: Type 720 Diaphragm Valve, 1/2" PVC body, EPDM diaphragm, Socket Union ends.
x = 4 for 1/4", 6 for 3/8", 8 for 1/2" ID tube connections.

JJ DOWNS INDUSTRIAL PLASTICS INC.

JJDOWNS.COM