

SINGLE UNION CHECK VALVES

SPECIFICATIONS:

Sizes: 1.5" & 2"

Body Material: PVC

O-Rings and Check Seal: EPDM or Viton

Spring Material: 302 SS or Hastelloy-C

Max Operating Pressure:

1.5": 150 PSI @ 73 F

2": 150 PSI @ 73 F

Valve Ends:

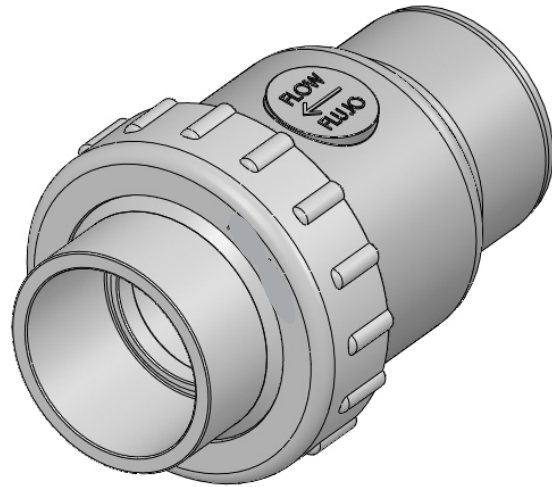
-Solvent Cement Socket (ASTM)

Spring Loads:

1/4 lb, 1/2 lb, 2 lb, 5lb, 10lb

Features:

- ✚ corrosion resistant (CR models)
- ✚ radial installation or removal
- ✚ low pressure loss
- ✚ suitable for high flow rates
- ✚ quick and exact closing and opening
- ✚ suitable for liquids with very low specific gravity

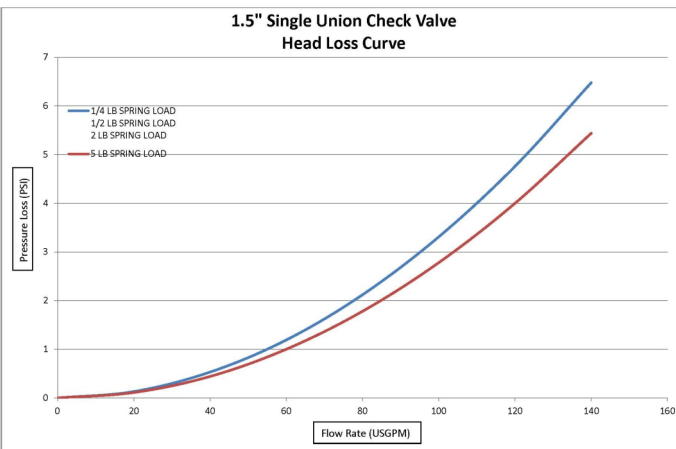


Sample Specification:

The Single Union Check Valves shall be of true union design, sizes 1.5" & 2". The internal spring loaded check design shall guarantee leak tight seating in extreme low pressure and vertical installations. Spring material shall be 302 stainless steel or Hastelloy-C. All O-rings and check seals shall be EPDM or VITON and shall meet NSF61 criteria. Union ends shall be interchangeable with Single Union ball valves. PVC shall be NSF61 listed and meet ASTM D1764-cell class 12454.

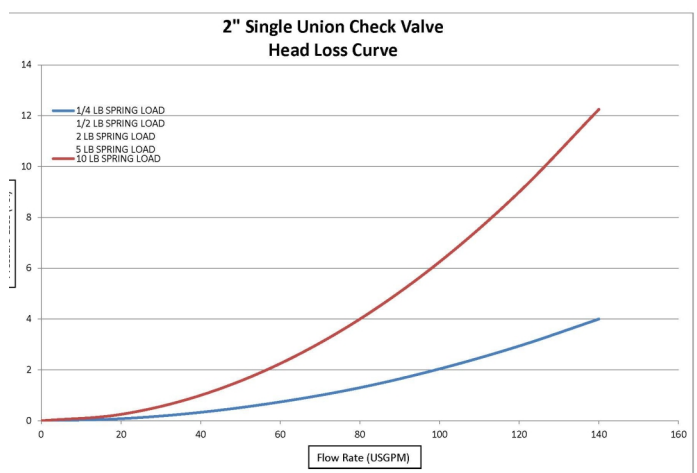
1.5" Valve Flow Details

| Spring Load | Cv Value |
|-------------|----------|
| 1/4 lb | 55 GPM |
| 1/2 lb | 55 GPM |
| 2 lb | 55 GPM |
| 5 lb | 60 GPM |
| 10 lb | 10 GPM |



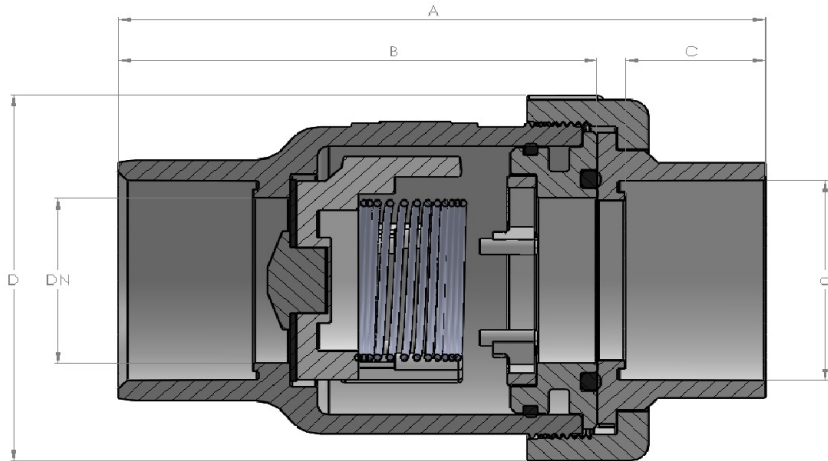
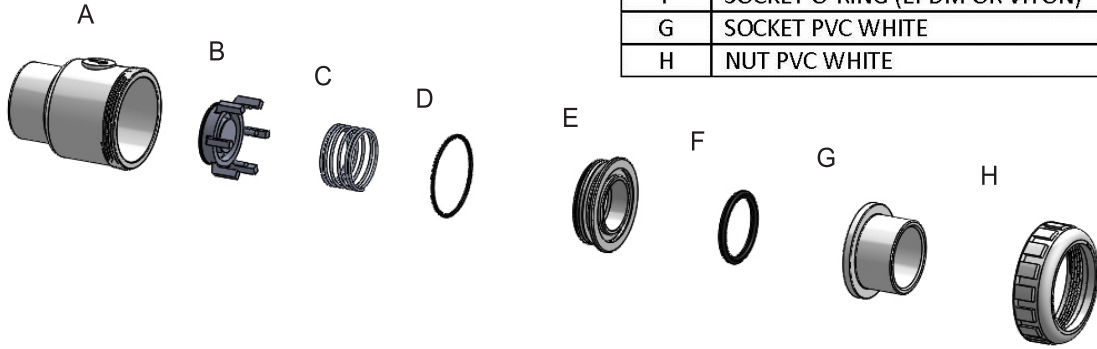
2" Valve Flow Details

| Spring Load | Cv Value |
|-------------|----------|
| 1/4 lb | 70 GPM |
| 1/2 lb | 70 GPM |
| 2 lb | 70 GPM |
| 5 lb | 70 GPM |
| 10 lb | 40 GPM |



SINGLE UNION CHECK VALVES

| ITEM | DESCRIPTION |
|------|--------------------------------------|
| A | BODY PVC WHITE |
| B | POPPET ASSEMBLY |
| C | SPRING (SS OR HASTELLOY-C) |
| D | RETAINER RING O-RING (EPDM OR VITON) |
| E | RETAINER RING PVC WHITE |
| F | SOCKET O-RING (EPDM OR VITON) |
| G | SOCKET PVC WHITE |
| H | NUT PVC WHITE |



| Size (inch) | d (mm) | DN (mm) | A | B | C | D |
|-------------|--------|---------|----------------|----------------|-----------------|----------------|
| 1.5" | 50 | 40 | 142mm 5.59" | 103mm 4.06" | 32mm 1.26" | 94mm 3.70" |
| 2" | 63 | 50 | 175mm 6.89" | 128mm 5.04" | 37.5mm 1.47" | 113mm 4.45" |

JJD

JJ DOWNS INDUSTRIAL PLASTICS INC.



416.236.1884

Toronto, ON

JJDOWNS.COM