

SERIES RVTX ROLLING DIAPHRAGM DESIGN

A SUPER-HIGH PERFORMANCE 3" RELIEF VALVE



FEATURES:

- Large area rolling diaphragm provides precise, sensitive operation.
- Ideal for use with liquids that crystallize.
- Heavy-duty industrial construction.
- Angle pattern offers compact size and convenient piping.
- 3" pipe size.
- No wetted metal parts.

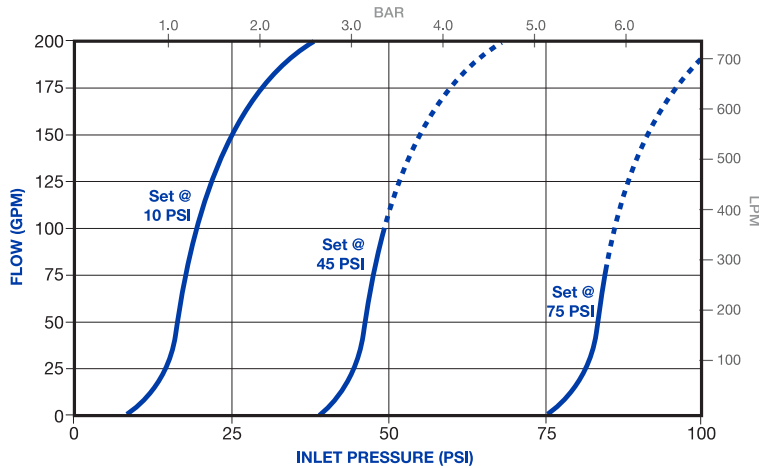
DESIGN:

Series RVTX angle pattern pressure relief valve features a solid shaft with a PTFE thrust washer for reduced friction, working in conjunction with a large area rolling diaphragm. This high flow capacity relief valve provides rugged dependability for acids, salt solutions, and other highly corrosive liquids. Relief setting is infinitely adjustable from 5 psi to 100 psi. Maximum inlet pressure is 150 psi. Not recommended for applications with a vacuum on the outlet.

MATERIALS OF CONSTRUCTION:

Available in PVC, CPVC and PVDF. Thrust washer is PTFE. Seals are available in EPDM and FKM (Viton®). For other body or seal materials, consult factory. The valve adjusting bolt and lock nut are high density polyethylene. The control spring is plated steel. The fasteners are stainless steel. No metal parts are in contact with liquid.

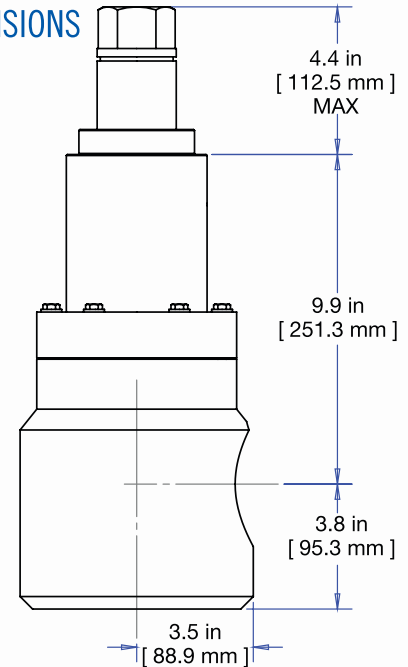
SERIES RVTX FLOW CHARACTERISTICS



PART NUMBERS

3" PIPE SIZE	PVC	CPVC	POLYPRO	PVDF
FKM Seals	RVTX300V-PV	RVTX300V-CP	NA	RVTX300V-PF
EPDM Seals	RVTX300EP-PV	RVTX300EP-CP	NA	RVTX300EP-PF

DIMENSIONS



JJ DOWNS INDUSTRIAL PLASTICS INC.



416.236.1884

Toronto, ON

JJDOWNS.COM