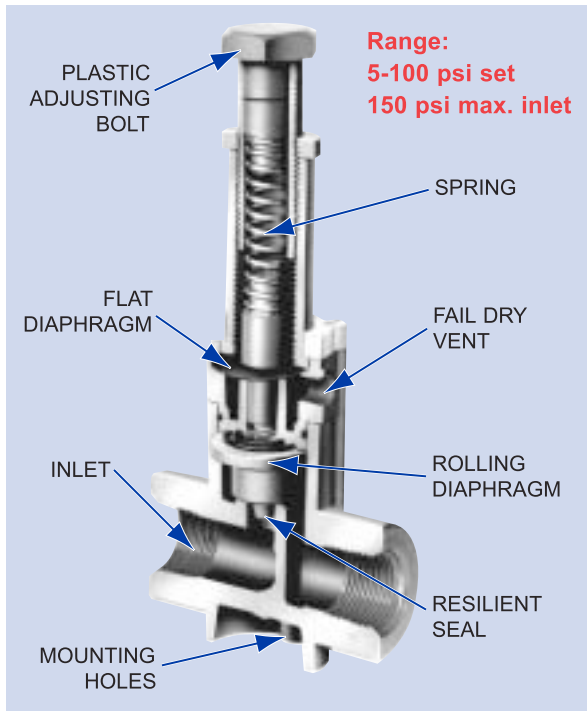


SERIES RVDM • Rolling Diaphragm Design

eliminates crystallization problems; smooth, sensitive operation for corrosive and high purity liquids



Features:

- Rolling diaphragm provides high accuracy, prevents crystallization.
- Flat secondary diaphragm provides a second isolation of the control spring.
- Patented Fail-Dry® safety vent gives advance warning of need to replace primary seal.
- In-line pattern in 1/2", 3/4" and 1" pipe sizes.
- No wetted metals.

Design:

Series RVDM in-line pressure relief valve features a primary rolling diaphragm and a secondary flat diaphragm which incorporates the Plast-O-Matic patented Fail-Dry design for added protection. Relief setting is infinitely adjustable from 5 psi to 100 psi. 1/2" size to 120 psi. Maximum inlet pressure is 150 psi. Not recommended for applications with vacuum or backpressure on the outlet.

Materials of Construction:

Available in PVC, CPVC, Glass-Filled Polypropylene and PVDF. Seals are available in EPDM or FKM (Viton®). The valve adjusting bolt, lock nut, and body are thermoplastic. Support washers in Polypro models are made of PVDF. The plated steel control spring and stainless steel external fasteners are not in contact with liquid.

Series RVDM Dimensions

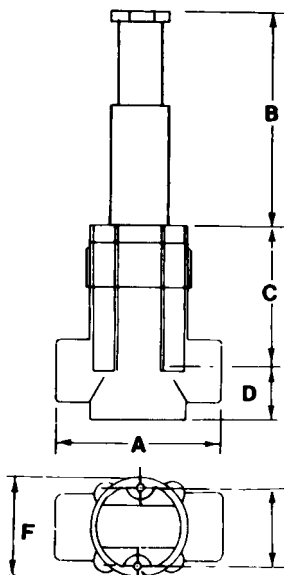
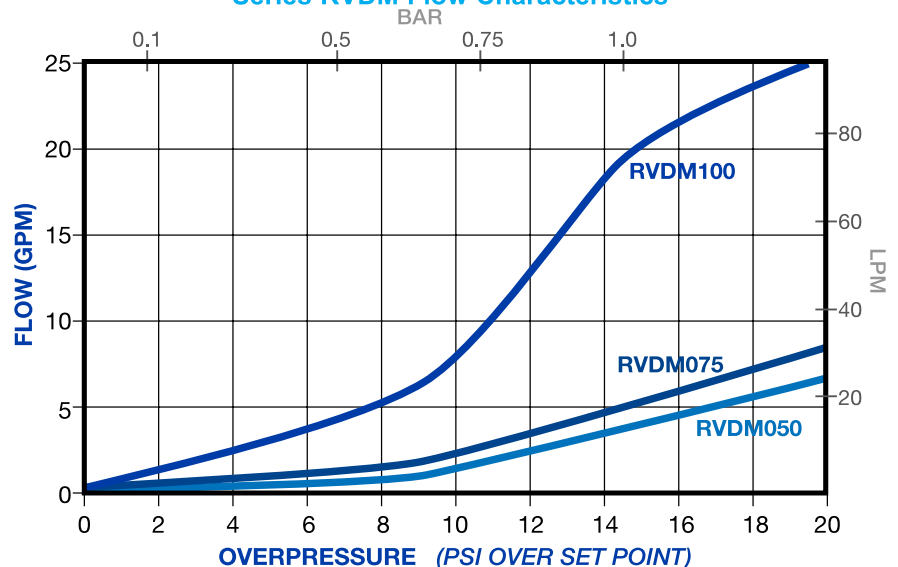
	1/2		3/4		1	
	in.	mm.	in.	mm.	in.	mm.
A	2.25	57.1	4.0	101.6	4.0	101.6
B	4.12	104.1	4.0	101.6	4.4	101.6
C	2.88	73.7	3.3	83.8	3.3	83.8
D	0.94	24.0	1.3	33.3	1.3	33.3
E	1.50	38.1	1.5	38.1	1.5	38.1
F	1.88	48.0	1.9	48.0	1.9	48.0

Series RVDM Model Numbers

NPT or BSP	PVC Mode No.	POLYPRO Model No.	CPVC Model No.	PVDF Model No.
1/2	RVDM050EP-PV	RVDM050EP-PP	RVDM050EP-CP	RVDM050EP-PF
3/4	RVDM075EP-PV	RVDM075EP-PP	RVDM075EP-CP	RVDM075EP-PF
1	RVDM100EP-PV	RVDM100EP-PP	RVDM100EP-CP	RVDM100EP-PF

Model numbers shown are for EPDM seals. For FKM, change "EP" to "V".

Series RVDM Flow Characteristics



(2) Mounting Holes
#8 - 32 x 1/2 deep

JJD

JJ DOWNS INDUSTRIAL PLASTICS INC.

416.236.1884

Toronto, ON



member IAPD

JJDOWNS.COM