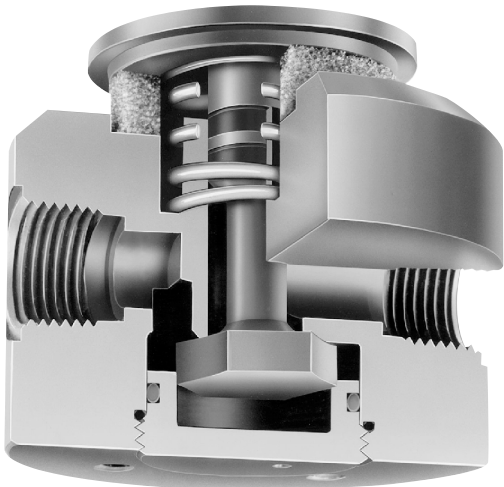


MANUAL SELF-CLOSING VALVES

1/2 AND 3/4 PALM OR FOOT OPERATED WITH SPRING RETURN
CORROSION RESISTANT AND NON-STICKING



FEATURES:

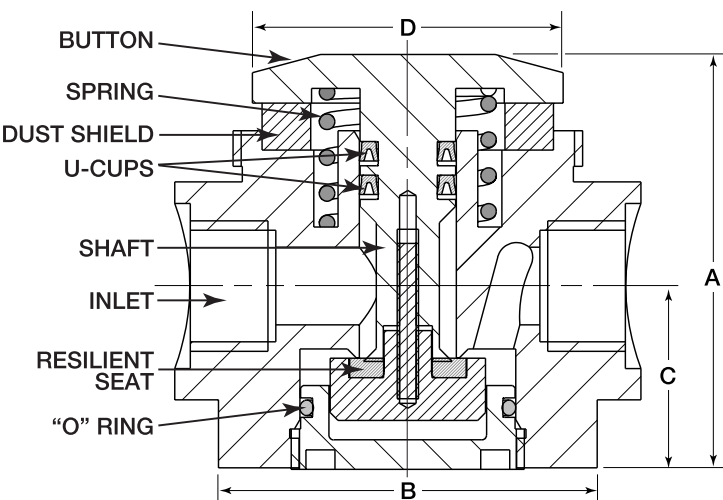
Plast-O-Matic Series MFR is the answer for handling pure de-ionized rinse water where your hand or hands must be free to handle the part being rinsed. They are also ideal for handling corrosive or other ultra-pure liquids where economical performance is a prime consideration.

- Compact – requires minimum bench or floor space.
- Easy to install in any position with 1/4 - 20 mounting holes supplied.
- Hands are kept free for performing other functions.
- Smooth, easy operation by palm or foot.
- Low pressure drop with high flow rates.
- Non-sticking design with bubble-tight sealing.

DESIGN:

Series MFR self-closing valves are normally-closed and require a minimum of palm, foot or knee pressure to open. Double U-cup seals are used on the shaft to isolate the spring from the liquid. The U-cup seals in conjunction with a poppet seat at the valve orifice results in a non-sticking design. A plastic foam seal under the activating button prevents dirt and dust from entering into the spring area.

Four 1/4 - 20 tapped holes in the base permit easy mounting on a bench or to the floor to secure the valve and also stabilize the process line piping.



MATERIALS OF CONSTRUCTION:

Plast-O-Matic Series MFR valve bodies are made from Type 1 Grade 1 PVC (polyvinyl chloride). U-cup seals are available in Viton® and EPDM, Buna-N optional. The spring (which is not in the liquid) is stainless steel. Threaded connections are standard. Sockets are available upon request.

1/2, 3/4 MFR VALVE SPECIFICATIONS

Cv	NPT or BSP	Inlet and outlet Maximum Working Pressure* at given temperatures		Model Numbers
		@ 77°F (25°C)	140°F (60°C)	
3.0	1/2	150 PSI 10 Bar	40 PSI 2,7 Bar	MFR050V (Viton Seals) MFR050EP (EPDM seals)
8.0	3/4	150 PSI 10 Bar	40 PSI 2,7 Bar	MFR075V (Viton Seals) MFR075EP (EPDM seals)

*Typical application is pressure; however, valve can be built for vacuum if ordered correctly. See ordering information.

DIMENSIONS

DIM	SIZE			
	1/2		3/4	
	IN.	MM	IN.	MM
A	2.75	70.0	4.0	101.6
B	3.0	76.2	3.5	88.9
C	1.187	30.2	1.61	39.7
D	2.0	50.8	3.0	76.2



JJ DOWNS INDUSTRIAL PLASTICS INC.



416.236.1884

Toronto, ON

JJDOWNS.COM