

STEM EXTENSIONS FOR MANUAL BALL VALVES



Features:

- Choice of whole inch sizes from 2" - 12"
- Available as complete valve assembly or as kit for field retrofit.
- Retrofit installs easily with self-tapping fastener
- Single piece construction requires no additional parts.
- Solid, heavy duty part eliminates twisting.
- Grade 1, Type 1 Geon PVC with stainless steel fastener.

Part Numbers for Field Retrofit

1/2" valve: MBVSE-1.2-00

3/4" & 1" valve: MBVSE-1.6-00

1 1/4" 1 1/2" & 2" valve: MBVSE-2.5-00

...where "00" is the desired stem height in inches, 02-12. For example, MBVSE-1.2-06 would be a 6" stem extension.

Part Numbers for New Valve

For a complete new valve assembly, simply add the suffix "-SE00" to full part number, where "00" is the desired stem height in inches, 02-12.. For example, with a 6" stem MBV050VT-PV becomes MBV050VT-PV-SE06.

JJD

JJ DOWNS INDUSTRIAL PLASTICS INC.



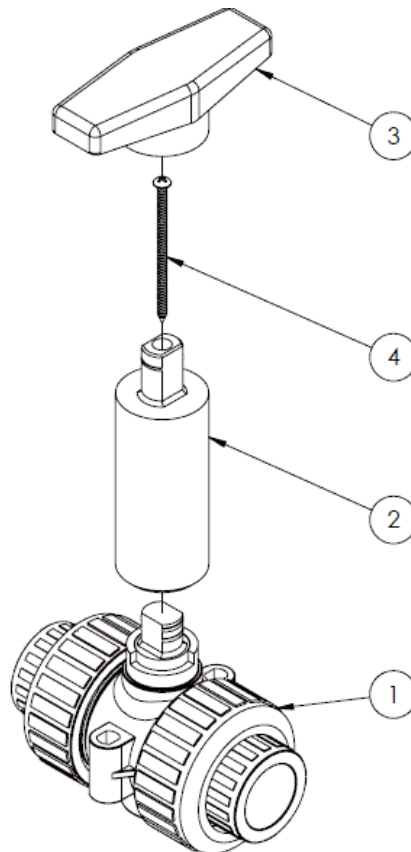
416.236.1884

Toronto, ON

JJDOWNS.COM

ASSEMBLY INSTRUCTIONS FOR SERIES MBVSE MANUAL BALL VALVE WITH STEM EXTENSION 1/2" - 2" SIZES

1. Remove handle, Item #3, from existing MBV when field retrofitting.
2. Install stem extension, Item #2, until it snaps onto MBV shoulder.
3. Screw in fastener, Item #4, through the stem extension and into MBV stem to secure extension to valve, Item #1.
4. Press the handle on to the stem extension.
5. Finished overall valve height is based on selected extension length. It is equal to MBV dimension plus stem extension. Stem extensions are available from 2" to 12" in increments of 1".



JJD

JJ DOWNS INDUSTRIAL PLASTICS INC.



416.236.1884

Toronto, ON

JJDOWNS.COM