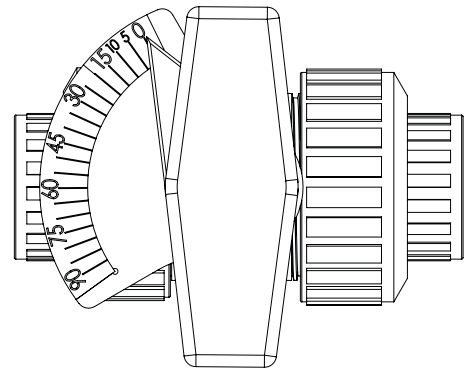


METERING MANUAL BALL VALVE



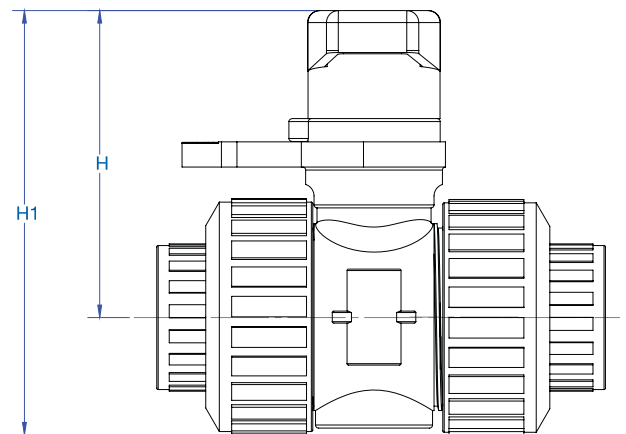
FEATURES:

- For use with True Blue Ball Valves with or without ZC angle characterized balls, 1/2" - 2 sizes.
- Available as complete valve assembly or as kit for field retrofit.
- Metering parts fabricated from corrosion-resistant thermoplastic; color may vary.



| KIT NUMBER | BALL VALVE SIZE | H | | H1 | |
|------------|-----------------|-----|-------|-----|-------|
| | | IN. | MM. | IN. | MM. |
| MBVM-1.2 | 1/2" | 2.4 | 60.4 | 3.4 | 85.8 |
| MBVM-1.6 | 3/4" - 1" | 3.2 | 81.0 | 4.4 | 112.3 |
| MBVM-2.5 | 1 1/4" - 2" | 4.2 | 107.5 | 6.3 | 159.2 |

Part numbers shown are for field retrofit. For new valve, add -M suffix to full part number. Example: MBV100VT-PV-C4-M.



JJD

JJ DOWNS INDUSTRIAL PLASTICS INC.



416.236.1884

Toronto, ON

JJDOWNS.COM