

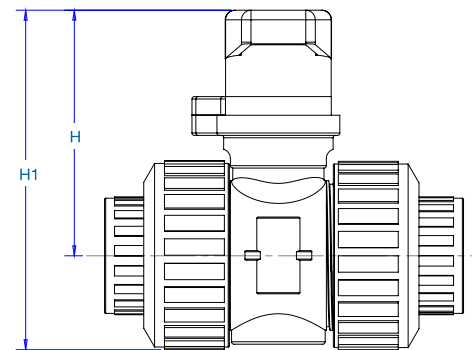
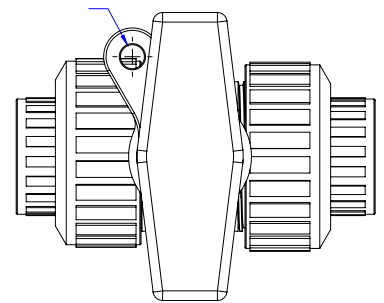
LOCKOUT/TAGOUT BALL VALVE



FEATURES:

- Designed to accept most OSHA approved locks/shackles.
- Available as complete valve assembly or as kit for field retrofit.
- Parts fabricated from corrosion resistant thermoplastic; color may vary.

FITS MOST STANDARD
OSHA APPROVED
LOCKS / SHACKLES



KIT NUMBER	BALL VALVE SIZE	H		H1	
		IN.	MM.	IN.	MM.
MBVL-1.2	1/2"	2.4	60.4	3.4	85.8
MBVL-1.6	3/4" - 1"	3.2	81.0	4.4	112.3
MBVL-2.5	1 1/4" - 2"	4.2	107.5	6.3	159.2
MBVL-3	3"	8.3	210.0	11.9	301.4
MBVL-4	4"	9.4	238.7	14.0	355.5

Part numbers shown are for field retrofit. For new valve, add -L suffix to full part number. Example: MBV100VT-PV-L.

JJD

JJ DOWNS INDUSTRIAL PLASTICS INC.



416.236.1884

Toronto, ON

JJDOWNS.COM