

ISOLATED PRESSURE TRANSDUCER SERIES GGS-LE



FEATURES:

- Pressure ranges from 30" vacuum to 200 PSI
- 4-20 mA output signal
- Micro DIN connector
- $\pm 0.5\%$ accuracy ($\pm 1\%$ for pressures ≤ 45 psi)
- IP65 and IP67 enclosure ratings
- Stainless steel construction with ceramic sensor
- CE approved
- 1 year instrument warranty / 3 year isolator warranty

**With Gauge Guard-
For Corrosive &
Ultrapure Liquids**

Plast-O-Matic Gauge Guard isolates the transducer, eliminating corrosion and contamination.

The gauge guard diaphragm is a flexible barrier that prevents the process fluid from entering the instrument. Pressure on the process side of the diaphragm flexes it against the instrument fill liquid, transmitting the pressure to the instrument. Conversely, vacuum causes the diaphragm to flex in

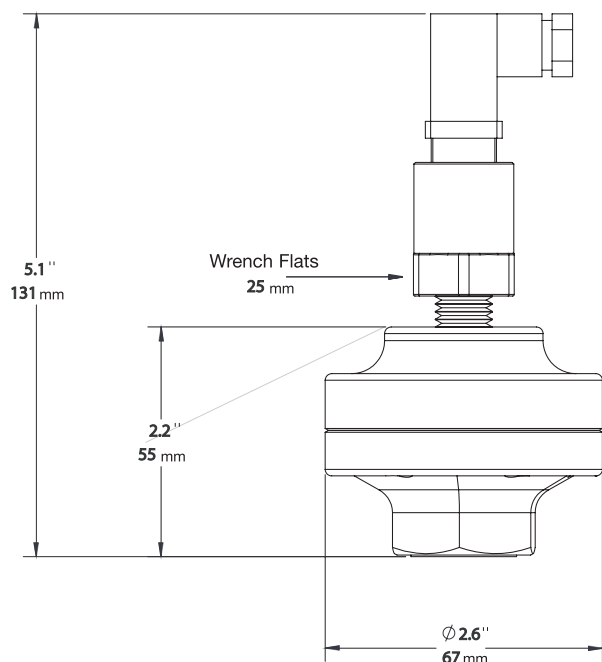
the opposite direction creating an equal vacuum in the fill liquid which actuates the instrument.

Gauge Guard component is molded of Grade 1, Type 1, Geon® PVC, Corzan® CPVC, Natural Polypropylene, Glass-filled Polypropylene or Kynar® PVDF. PTFE diaphragms are standard with all assemblies using transducer range of 0-25 PSI and greater. For 0-15 PSI and vacuum transducers, FKM elastomer diaphragms are used.

JJD

JJ DOWNS INDUSTRIAL PLASTICS INC.

JJDOWNNS.COM



TRANSDUCER SPECIFICATIONS

Output Signal: . . .Standard 2-wire: 4-20 mA / Vs = 12-30 Vdc
 Accuracy: ±0.5% FSO (±1% FSO for pressures ≤ 45 psi/3 bar)
 Response Time:<10 MS
 Insulation:100 M Ω @ 50V
 Pressure Port / Housing:304 SS
 Seals:NBR
 Diaphragm:Ceramic
 Current Consumption: 2-wire:25 mA max
 EMC:EMI: EN50081-1/-2 EMS:EN50082-2
 Vibration Stability:10 g / 5 Hz to 200 Hz
 Shock Stability:20 g / 11 ms
 Operation Life:2 M cycles
 Approval:CE

Maximum Transducer (PSI) Recommended At Given Fluid Line Temperatures*								
LIQUID LINE TEMPERATURES**	77°F 22°C	104°F 40°C	140°F 60°C	158°F 70°C	185°F 85°C	212°F 100°C	239°F 115°C	284°F 140°C
GEON PVC (Polyvinyl Chlorid)	0-250 PSI	0-177 PSI	0-57 PSI	N/R	N/R	N/R	N/R	N/R
CORZAN® CPVC	0-250 PSI	0-200 PSI	0-140 PSI	0-95 PSI	0-60- PSI	N/R	N/R	N/R
NATURAL POLYPRO	0-160 PSI	0-130 PSI	0-80 PSI	0-65 PSI	0-40- PSI	N/R	N/R	N/R
GLASS-FILLED POLYPROPYLENE	0-160 PSI	0-160 PSI	0-160 PSI	0-100 PSI	0-60- PSI	N/R	N/R	N/R
KYNAR® PVDF	0-250 PSI	0-200 PSI	0-150 PSI	0-130 PSI	0-120- PSI	0-90 PSI	0-50 PSI	0-35 PSI

* Measurements conducted at a maximum ambient temperature of 80°F (26°C).

** If actual fluid line temperature is in between listed ratings, use the next column to the right for maximum recommended transducer.

ADDITIONAL SPECIFICATIONS & PART NUMBERS

TYPE OF SERVICE	INSTRUMENT RANGE	BARS	DIAPHRAGM MATERIAL	GAUGE GUARD MODEL NUMBERS
VACUUM	0-30" HG	0-1.01 VAC	VITON FKM	GGVSLE1-30VC-PV
PRESSURE	0-15 PSI	0-1.04	VITON FKM	GGVSLE1-15-PV
PRESSURE	0-25 PSI	0-1.72	PTFE	GGTSLE1-25-PV
PRESSURE	0-50 PSI	0-3.45	PTFE	GGTSLE1-50-PV
PRESSURE	0-60 PSI	0-4.14	PTFE	GGTSLE1-60-PV
PRESSURE	0-100 PSI	0-6.90	PTFE	GGTSLE1-100-PV
PRESSURE	0-150 PSI	0-10.34	PTFE	GGTSLE1-150-PV
PRESSURE	0-200 PSI	0-13.8	PTFE	GGTSLE1-200-PV

WIRING

Pin 1 Input Voltage
12-30 VDC

Pin 2 I out (4-20mA)

Pin 3 No Connection

Pin 4 Shield

Part numbers shown with PVC Gauge Guard. For CPVC, change suffix -PV to -CP. For Polypro, change to -PP. For PVDF, change to -PF. For mini Gauge Guard or zero-deadleg Gauge Guard options, consult JJD.





Additional options shown in this photo include the zero-deadleg Series GGMU ultrapure version, and the compact Series GGME economical version.

JJD

JJ DOWNS INDUSTRIAL PLASTICS INC.

416.236.1884

Toronto, ON



member
iapd
international association
of plastics distribution

JJDOWNS.COM