

ELECTRO-PNEUMATIC POSITIONER PRECISE 4-20mA CONTROL OF AIR ACTUATED VALVES FOR CUSTOMIZABLE FLOW RATES



FEATURES:

- Uses force balance principle of operation and 4-20mA electronic signal for precise control of air actuated ball valves.
- Combine with Series ZC characterized or custom-profile ball valves for exact flow rate control.
- Compact, corrosion-resistant design.
- Complete calibration without removing cover.
- Large, clear position indicator.
- Repeatability <0.5% f.s. with hysteresis <0.6 f.s.

CONSTRUCTION:

- EPP has a rugged, aluminum die-cast housing with a polyester coating. It is rated NEMA 4X, IP66.

DESIGN:

The EPP incorporates the force balance principle of operation. The control signal value and actuator shaft work as opposing forces on a balance arm, which in turn controls air flow. Whenever the control signal changes, or the position of the actuator shaft changes, the force balance is also changed. Air is then automatically provided to the part of the actuator that will return the balance arm to neutral. The system is self-stabilizing and searches for a steady state position.

Standard V-Ball Configurations:



15°

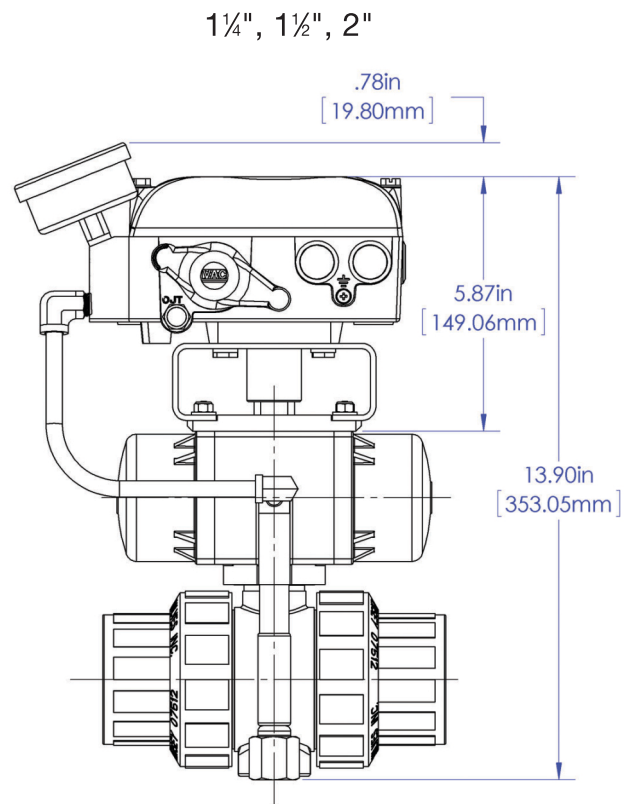
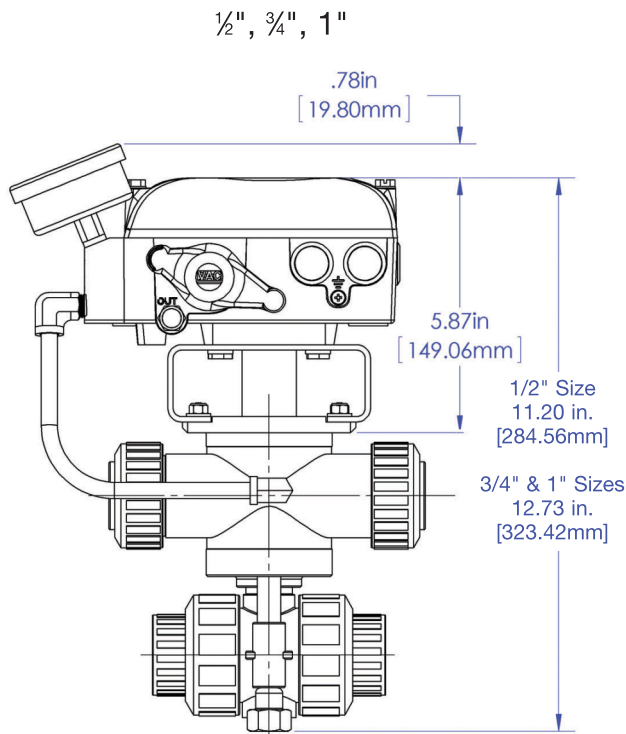
30°

45°

60°

90°

DIMENSIONS:



SPECIFICATIONS:

- Input Signal 4 – 20 mAmp
- Supply Pressure Dependent on actuator model used with valve
- Linearity error <1.0% f.s.
- Hysteresis <0.6% f.s.
- Repeatability <0.5% f.s.
- Positioner weight 3.8 lbs.
- Temperature range 40°F to 185°F
- Air requirements: CDA (Clean Dry Air)
- Volume: 28.3 SCFM
- Bleed rate: less than 0.2 SCFM
- Air connections 1/4" NPT
- Gauges 1/8" NPT
- Cable Entry 1/4" NPT
- Ingress & corrosion protection – NEMA 4X and IP66 Standard coating Polyester

ORDERING INFORMATION:

POSITIONER & MOUNTING KIT ONLY FOR TRUE BLUE ACTUATORS

BALL VALVE SIZE	DESCRIPTION	PART #
1/2"	ELECTRO-PNEUMATIC POSITIONER W/MOUNT KIT	EPP-1.2
3/4" or 1"	ELECTRO-PNEUMATIC POSITIONER W/MOUNT KIT	EPP-1.6
1-1/4", 1-1/2", 2"	ELECTRO-PNEUMATIC POSITIONER W/MOUNT KIT	EPP-2.5

POSITIONER ON ACTUATOR & VALVE WITH STANDARD V-BALL

BALL VALVE SIZE	V-CUT ANGLE	PART # SUFFIX**
ALL SIZES	15°	-C1-EPP
	30°	-C3-EPP
	45°	-C4-EPP
	60°	-C6-EPP
	90°	-C9-EPP

**Add to Actuated Ball Valve Part Number. Example: ABVA050VT-PV-C4-EPP
Custom Characterizations Available, Please Consult Factory.

JJD

JJ DOWNS INDUSTRIAL PLASTICS INC.



416.236.1884

Toronto, ON

JJDOWNS.COM