

SERIES ABV • Air Actuated Ball Valves – 1/2", 3/4", & 1"



Series ABVA – Air pressure to open and air pressure to close

Series ABVS – Spring kit easily converts ABVA to “Fail-Safe” operation

Features:

- All plastic construction ideal for corrosive atmosphere.
- Direct manual override standard on ABVA & ABVS.
- Easy field attachment to ball valve.
- Long cycle life – extensively tested & proven.
- ABVS converts easily between normally-open and normally-closed operation.
- Lightweight assembly – less piping stress and lower shipping weight.
- Can be hydraulically actuated.

Each valve and actuator is 100% individually inspected and tested prior to shipment.

Installation:

The ABVA requires a 4-way air solenoid valve (Part # 8345G1), and ABVS requires a 3-way air solenoid valve (Part # 8320G13) to control actuation. Compressed air should be filtered and lubricated. The hex nuts used to mount the actuator are tapped to facilitate piping support.

Manual Override:

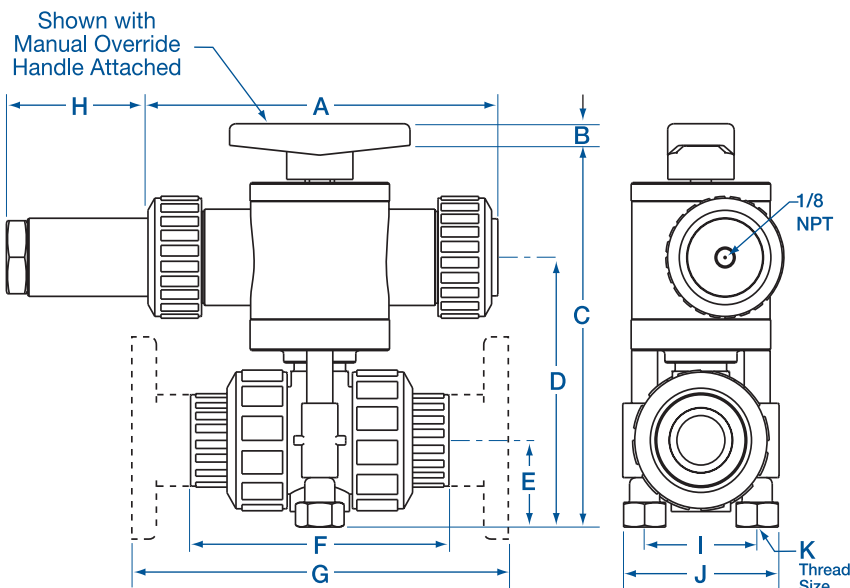
Series ABVA and ABVS have direct override to the ball valve shaft. Series ABVS requires simple loosening of the spring prior to manual override.

Materials of Construction:

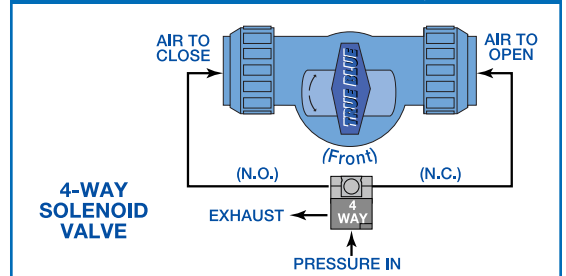
Actuator is constructed of corrosion resistant thermoplastics. Seals are Buna-N. For optional materials, please consult factory.

ACTUATOR ONLY – PART NUMBERS, WEIGHTS AND AIR PRESSURE REQUIREMENTS

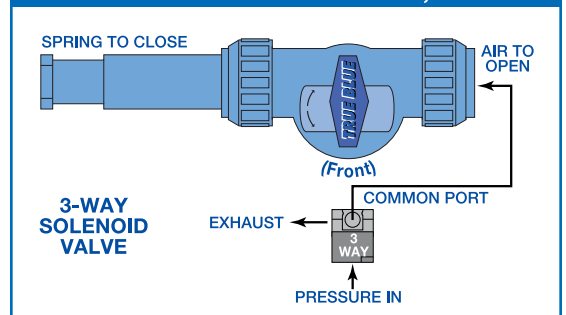
Valve Size NPT or BSP	Air x Air Part Number	Weight		Air x Air Air Pressure Required		Spring Kit Part Number	Weight		Air Pressure Required	
		Lbs.	Kg	20 - 50 PSI	1,4 - 3,5 Bars		Lbs.	Kg	50 - 80 PSI	3,4 - 5,5 Bars
1/2	ABVA 1.2	0.9	.41	20 - 50 PSI	1,4 - 3,5 Bars	ABVS 1.2	.3	.14	50 - 80 PSI	3,4 - 5,5 Bars
3/4	ABVA 1.6	1.8	.82	20 - 50 PSI	1,4 - 3,5 Bars	ABVS 1.6	.6	.27	50 - 80 PSI	3,4 - 5,5 Bars
1	ABVA 1.6	1.8	.82	20 - 50 PSI	1,4 - 3,5 Bars	ABVS 1.6	.6	.27	50 - 80 PSI	3,4 - 5,5 Bars



TYPICAL AIR CONNECTIONS, ABVA



TYPICAL AIR CONNECTIONS, ABVS



VALVE & ACTUATOR ASSEMBLY – PART NUMBERS & DIMENSIONS

Pipe Size	Air x Air ** Actuator w/Valve Part Number	A		B		C		D		E		F		G		H		I		J	
		IN.	MM	IN.	MM	IN.	MM	IN.	MM	IN.	MM	IN.	MM	IN.	MM	IN.	MM	IN.	MM	IN.	MM
1/2	ABVA 050 –	5.75	146	0.6	15	5.6	142	3.90	99	1.25	32	4.25	108	6.5	165	2.8	71	1.75	44.4	2.60	66
3/4	ABVA 075 –	7.30	185	0.6	15	7.1	180	5.00	127	1.50	38	4.60	117	7.1	180	2.8	71	2.25	57.0	3.25	83
1	ABVA 100 –	7.30	185	0.6	15	7.8	198	5.55	144	1.90	48	5.60	142	8.0	203	2.8	71	2.50	64.0	3.30	84

* For spring return simply change ABVA to ABVS and refer to Dimension H.

** To complete part numbers refer to the Order Information section on page 5, the Manual Ball Valve. The letters MBV are simply replaced by ABVA or ABVS as indicated in the above chart.

	K Thread Size	K Thread Depth
ABVA 1.2	1/4 - 20	.44 in. 11.2 mm
ABVA 1.6	1/4 - 20	.44 in. 11.2 mm